

Inhoudsopgave

Achteras 2WD & Cilinder	111
Achteras 4WD & Cilinder	21
Blower & Snaar Schijven	35
Elektrische Delen PG220	124
Elektrische Delen PG-SR	77
Filter & Tank	46
Frame & Kappen	18
Gewichten	54
Grasvanger	48
Grasvanger Lift Frame	50
Haakse kast & Hydrauliek	104
Hoogkiep	23
Hydrauliek Hef	67
Hydrauliek Hoogkiep	71
Hydrauliek Stuur PG-SR	107
Hydrauliek Stuur PG-SR-W	65
Hydrauliek & Filter	58
Kabine	128
Kappen & Stuur	4
Motor B&S	122
Motor Daihatsu 950 DT	43
Motor Daihatsu 950 G	116
Motor Kubota D722	113
Motor Kubota D902	139
Pedalen Stangen & Handels	88
Pedalen & Handels	27
Rem PG-SR-W	29
Rem & Schakelaar PG-SR	94
Rolbeugel	81
Spanner	100
Stickkers	87
Tandwielen & Wielassen	90
Transport Bakje	52
V-Snaar aandrijving	41
Verlichting & Spiegel	85
Wielen PG-SR-W	75
Wielen PG-SR	109
Zonnedak	83

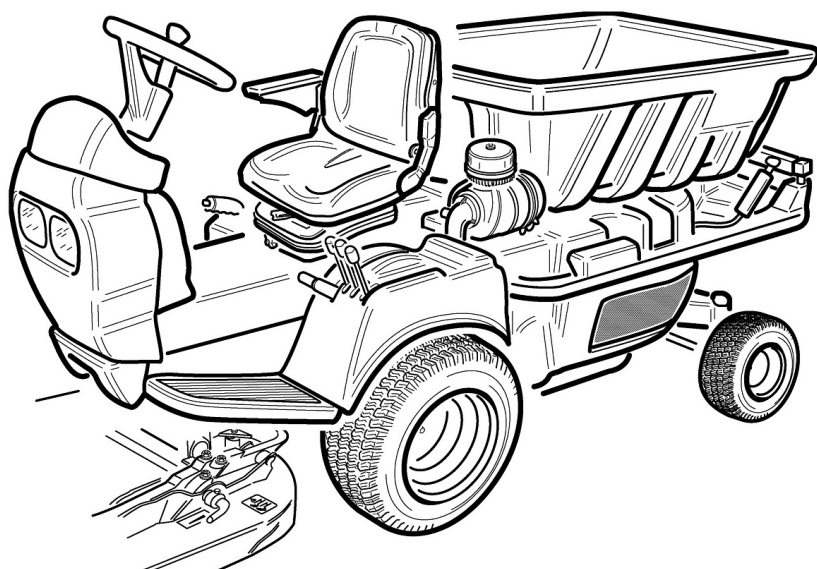


Gianni Ferrari

PG-SR-W



CATALOGO PARTI DI RICAMBIO
CATALOGUE PIECES DETACHEES
SPARE PARTS CATALOGUE
TERSATZTEILKATALOG



MATRICOLA CATALOGO
PG/SR XX0603001XXX - XXXXXXXXXXXXX
PG/SR KUBOTA XX06401807XXX - XXXXXXXXXXXXX

COMPOSIZIONE CODICE D'ORDINE

NUMERO DI MATRICOLA ALFANUMERICO DEL TELAIO + CODICE PARTICOLARE DI RICAMBIO

COMPOSITION OF THE ORDER CODE

ALPHANUMERICAL SERIAL NUMBER OF THE FRAME + CODE NUMBER OF THE SPARE PART

COMPOSITION DU CODE DE L'ORDRE

NUMÉRO DE SÉRIE ALPHANUMÉRIQUE DU CHÂSSIS + CODE AU PIÈCE DE RECHANGE

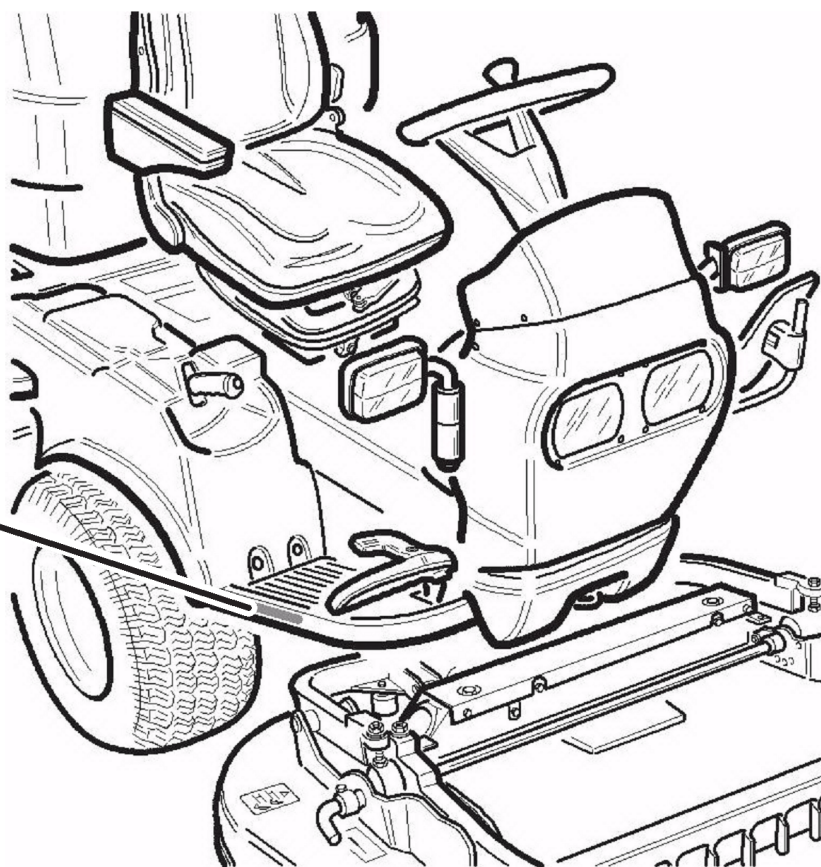
AUFBAU DES BESTELLKODS

ALPHANUMERISCHE SERIENNUMMER DES GERÜSTES + HINWEIS AUF DAS ZUSATZTEIL

MATRICOLA CATALOGO

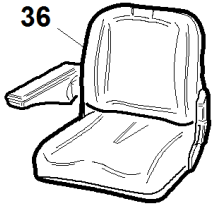
NUMERO DI MATRICOLA ALFANUMERICO DEL TELAIO
ALPHANUMERICAL SERIAL NUMBER OF THE FRAME
NUMÉRO DE SÉRIE ALPHANUMÉRIQUE DU CHÂSSIS
ALPHANUMERISCHE SERIENNUMMER DES GERÜSTES

XX9999999XXXX
XX99999999XXXX

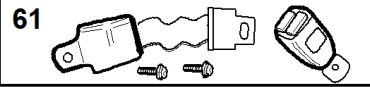


Daihatsu
48-58 - Kubota

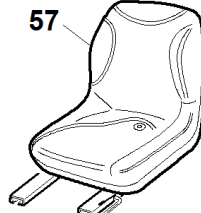
PG/SR



36

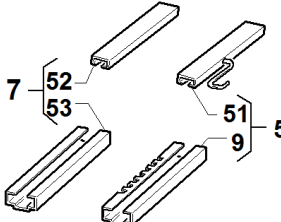


61

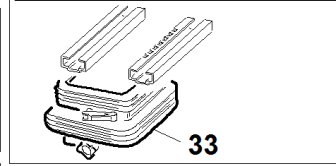
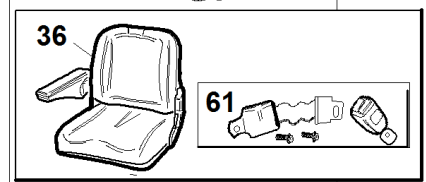
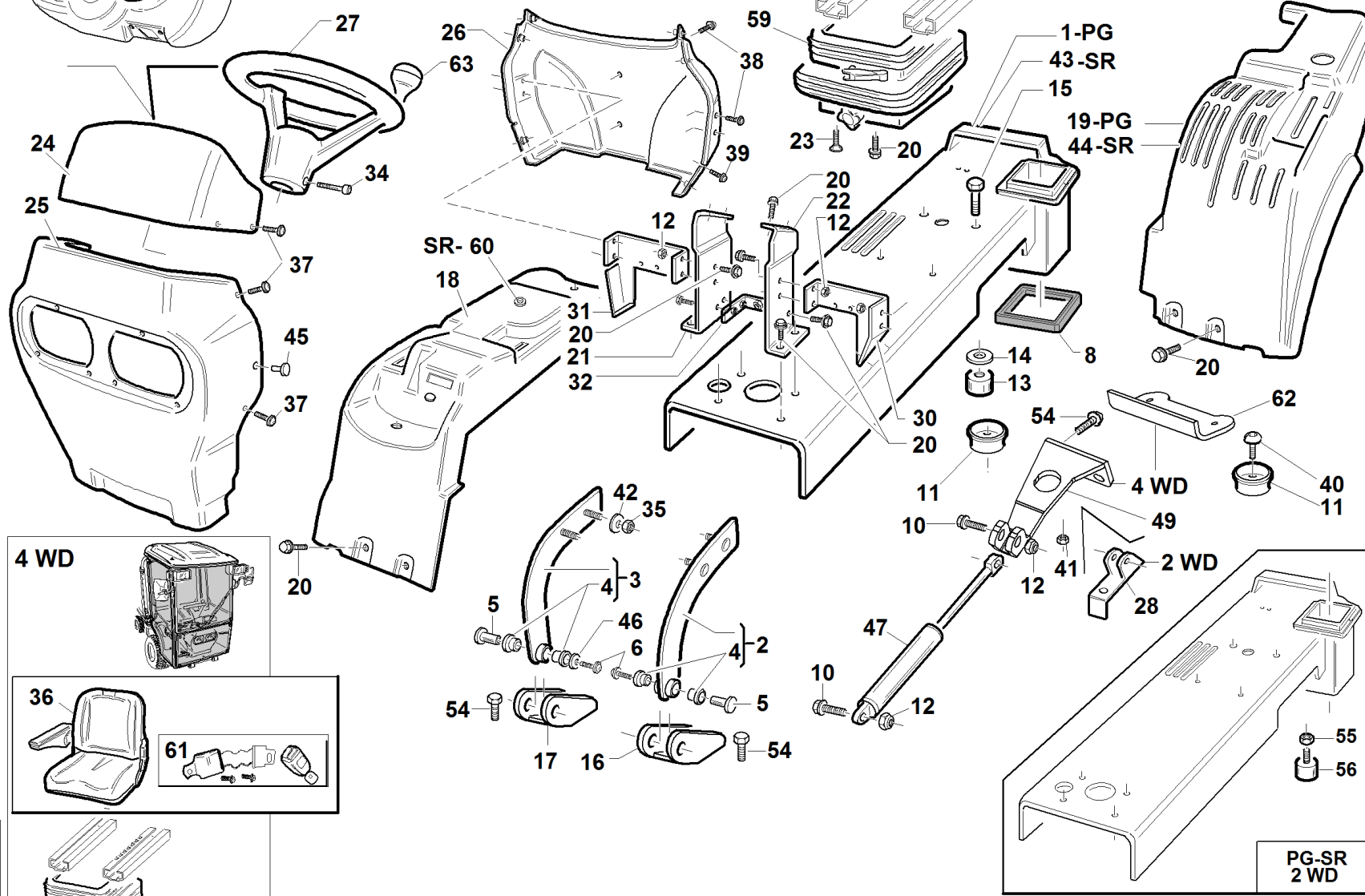


57

Solo per macchine con Rops
Only for a machine with Rops
Seulement pour machine avec Rops
Nur für Maschine mit Rops



7 52 53 51 9 50



S/N
→ **1009023**

REF.01 - 00555501055

PG-SR
2 WD

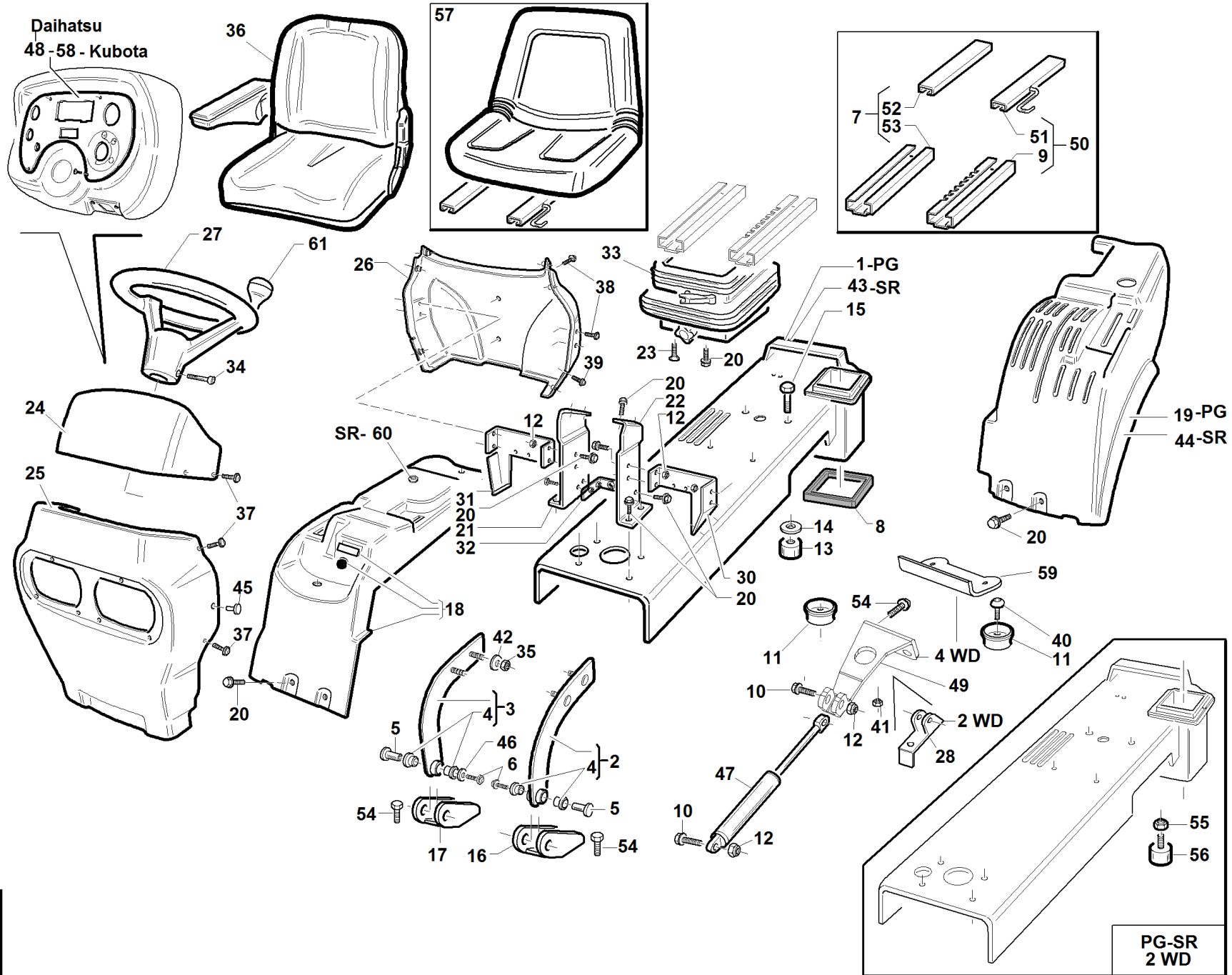
#	P/N	DESCRIPTION	PG/SR	REF. 01 - 00555501055
1	95049480000	PG -TURBINE HOOD		
2	95301270000	ASSEMBLD LEFT HOOD SUPPORT		
3	95301260000	ASSEMBLD RIGHT HOOD SUPPORT		
4	00111530003	BUSHING TFF 14X16 L=9		
5	94500000007	HOPPER FIXING PIN		
6	00111450014	SCREW FR M6X12		
7	00777850005	SEAT RIGHT GUIDE PAIR		
8	95030300002	BAND L=540		
9	00777850004	LOWER LEFT GUIDE		
10	00111450002	SCREW WASHER M8X30		
11	95301000001	CENTRING DUMPER MEMBER		
12	00111000071	SELF BLO. NUT M8		
13	00111970038	VIBRATION-DAMPING STOPPER M10 F		
14	00111000070	WASHER P. 11X30X2.5 ZNT		
15	00111300028	SCREW TE M10X12		
16	95301000009	HINGE HOOD LEFT FORK		
17	95301000010	HINGE HOOD RIGHT FORK		
18	95200000006	PG-SR RIGHT MUDGUARD		
19	95302000001	LEFT PG MUDGUARD		
20	00111450003	SCREW WASHER M8X20		
21	95301000016	RIGHT PG STEERING COLUMN		
22	95301000015	LEFT PG STEERING COLUMN		
23	00111000186	SCREW TSPEI M8X20		
24	95301000026	DASHBOARD		
25	95301290001	PG/SR FRONT DASHBOARD		
26	95049540000	PG REAR DASHBOARD		
27	00111970209	STEERING WHEEL W/BUSHING		
28	95200000004	GAS SPRING SUPPORT BRACKET		
30	95301000008	LEFT FRONT LIGHT SUPPORT		
31	95301000007	RIGHT FRONT LIGHT SUPPORT		
32	95301230000	REINFORCEMENT STEERING COLUMN		
33	00777850021	SPRING SEAT + LOWER SLIDES		
34	00111400015	ALLEN SCREW M6X40		
35	00111000095	SELF BLO. NUT M8		
36	00777850016	PG CONFORT SEAT		
37	00111450017	SCREW FR M4X18		
38	00111450015	SCREW M8x30		
39	00111450016	SCREW M6x25		
40	00111450012	SCREW FR M 6X20		
41	00111000166	SELF BL. SCREW M6		
42	00111000061	WASHER 8.4X24X2		
43	95207250000	SR HOOD COMPL.		
44	95310000001	SR LEFT MODGUARD		
45	00111970095	KNOB -81205-		
46	00111000037	WASHER 6.6X18X2		
47	00111990106	360N GAS SPRING		
48	95133100001	PG 180D INSTRUMENT PLATE		
49	95303000074	SPRING SUPPORT		
50	00777850023	SEAT LEFT GUIDE PAIR		
51	00777850022	UPPER LEFT GUIDE WITH LEVER		
52	00777850010	UPPER RIGHT GUIDE		
53	00777850003	LOWER RIGHT GUIDE		
54	00111000059	FAKE SCREW/WASH. M8X14		
55	00111150002	NUT M10 6S ZNT		
56	00111970005	VIBRATION-DAMPING STOPPER M10		
57	00777850041	SEDILE PG		
58	95124240001	PG 200D INSTRUMENT PLATE		
59	00777850040	SPRING SEAT +LOWER SLIDES		
60	00111970176	BLACK CABLE HOLDER D20		

#**P/N****DESCRIPTION****PG/SR****REF. 01 - 0055501055**61
62
6300777850019
95303000078
00111970217BELT ROLLING UP
HOOD SUPPORT
STEERING WHEEL KNOB

#	P/N	DESCRIPTION	PG/SR	REF. 01 - 00555501054
1	95049480000	PG -TURBINE HOOD		
2	95301270000	ASSEMBLD LEFT HOOD SUPPORT		
3	95301260000	ASSEMBLD RIGHT HOOD SUPPORT		
4	00111530003	BUSHING TFF 14X16 L=9		
5	94500000007	HOPPER FIXING PIN		
6	00111450014	SCREW FR M6X12		
7	00777850005	SEAT RIGHT GUIDE PAIR		
8	95030300002	BAND L=540		
9	00777850004	LOWER LEFT GUIDE		
10	00111450002	SCREW WASHER M8X30		
11	95301000001	CENTRING DUMPER MEMBER		
12	00111000071	SELF BLO. NUT M8		
13	00111970038	VIBRATION-DAMPING STOPPER M10 F		
14	00111000070	WASHER P. 11X30X2.5 ZNT		
15	00111300028	SCREW TE M10X12		
16	95301000009	HINGE HOOD LEFT FORK		
17	95301000010	HINGE HOOD RIGHT FORK		
18	95598650000	RIGHT PG MUDGUARD WITH CAP		
19	95302000001	LEFT PG MUDGUARD		
20	00111450003	SCREW WASHER M8X20		
21	95301000016	RIGHT PG STEERING COLUMN		
22	95301000015	LEFT PG STEERING COLUMN		
23	00111000186	SCREW TSPEI M8X20		
24	95301000026	DASHBOARD		
25	95301290001	PG/SR FRONT DASHBOARD		
26	95049540000	PG REAR DASHBOARD		
27	00111970209	STEERING WHEEL W/BUSHING		
28	95200000004	GAS SPRING SUPPORT BRACKET		
30	95301000008	LEFT FRONT LIGHT SUPPORT		
31	95301000007	RIGHT FRONT LIGHT SUPPORT		
32	95301230000	REINFORCEMENT STEERING COLUMN		
33	00777850021	SPRING SEAT + LOWER SLIDES		
34	00111400015	ALLEN SCREW M6X40		
35	00111000095	SELF BLO. NUT M8		
36	00777850016	PG CONFORT SEAT		
37	00111450017	SCREW FR M4X18		
38	00111450015	SCREW M8x30		
39	00111450016	SCREW M6x25		
40	00111450012	SCREW FR M 6X20		
41	00111000166	SELF BL. SCREW M6		
42	00111000061	WASHER 8.4X24X2		
43	95207250000	SR HOOD COMPL.		
44	95310000001	SR LEFT MODGUARD		
45	00111970095	KNOB -81205-		
46	00111000037	WASHER 6.6X18X2		
47	00111990106	360N GAS SPRING		
48	95133100001	PG 180D INSTRUMENT PLATE		
49	95303000074	SPRING SUPPORT		
50	00777850023	SEAT LEFT GUIDE PAIR		
51	00777850022	UPPER LEFT GUIDE WITH LEVER		
52	00777850010	UPPER RIGHT GUIDE		
53	00777850003	LOWER RIGHT GUIDE		
54	00111000059	FAKE SCREW/WASH. M8X14		
55	00111150002	NUT M10 6S ZNT		
56	00111970005	VIBRATION-DAMPING STOPPER M10		
57	00777850041	SEDILE PG		
58	95124240001	PG 200D INSTRUMENT PLATE		
59	00777850040	SPRING SEAT +LOWER SLIDES		
60	00111970176	BLACK CABLE HOLDER D20		

#**P/N****DESCRIPTION****PG/SR****REF. 01 - 0055501054**61
62
6300777850019
95303000078
00111970217BELT ROLLING UP
HOOD SUPPORT
STEERING WHEEL KNOB

PG/SR



S/N

→ **0910017 ÷ 1002027** ←

REF.01 - 00555501051

#	P/N	DESCRIPTION	PG/SR
1	95049480000	PG -TURBINE HOOD	
2	95301270000	ASSEMBLD LEFT HOOD SUPPORT	
3	95301260000	ASSEMBLD RIGHT HOOD SUPPORT	
4	00111530003	BUSHING TFF 14X16 L=9	
5	94500000007	HOPPER FIXING PIN	
6	00111450014	SCREW FR M6X12	
7	00777850005	SEAT RIGHT GUIDE PAIR	
8	95030300002	BAND L=540	
9	00777850004	LOWER LEFT GUIDE	
10	00111450002	SCREW WASHER M8X30	
11	95301000001	CENTRING DUMPER MEMBER	
12	00111000071	SELF BLO. NUT M8	
13	00111970038	VIBRATION-DAMPING STOPPER M10 F	
14	00111000070	WASHER P. 11X30X2.5 ZNT	
15	00111300028	SCREW TE M10X12	
16	95301000009	HINGE HOOD LEFT FORK	
17	95301000010	HINGE HOOD RIGHT FORK	
18	95598650000	RIGHT PG MUDGUARD WITH CAP	
19	95302000001	LEFT PG MUDGUARD	
20	00111450003	SCREW WASHER M8X20	
21	95301000016	RIGHT PG STEERING COLUMN	
22	95301000015	LEFT PG STEERING COLUMN	
23	00111000186	SCREW TSPEI M8X20	
24	95301000026	DASHBOARD	
25	95301290001	PG/SR FRONT DASHBOARD	
26	95049540000	PG REAR DASHBOARD	
27	00111970209	STEERING WHEEL W/BUSHING	
28	95200000004	GAS SPRING SUPPORT BRACKET	
30	95301000008	LEFT FRONT LIGHT SUPPORT	
31	95301000007	RIGHT FRONT LIGHT SUPPORT	
32	95301230000	REINFORCEMENT STEERING COLUMN	
33	00777850021	SPRING SEAT + LOWER SLIDES	
34	00111400015	ALLEN SCREW M6X40	
35	00111000095	SELF BLO. NUT M8	
36	00777850016	PG CONFORT SEAT	
37	00111450017	SCREW FR M4X18	
38	00111450015	SCREW M8x30	
39	00111450016	SCREW M6x25	
40	00111450012	SCREW FR M 6X20	
41	00111000166	SELF BL. SCREW M6	
42	00111000061	WASHER 8.4X24X2	
43	95207250000	SR HOOD COMPL.	
44	95310000001	SR LEFT MODGUARD	
45	00111970095	KNOB -81205-	
46	00111000037	WASHER 6.6X18X2	
47	00111990106	360N GAS SPRING	
48	95133100001	PG 180D INSTRUMENT PLATE	
49	95303000074	SPRING SUPPORT	
50	00777850023	SEAT LEFT GUIDE PAIR	
51	00777850022	UPPER LEFT GUIDE WITH LEVER	
52	00777850010	UPPER RIGHT GUIDE	
53	00777850003	LOWER RIGHT GUIDE	
54	00111000059	FAKE SCREW/WASH. M8X14	
55	00111150002	NUT M10 6S ZNT	
56	00111970005	VIBRATION-DAMPING STOPPER M10	
57	00777850020	OTTO SEAT + UPPER SLIDES + MICROSWITCH	
58	95124240001	PG 200D INSTRUMENT PLATE	
59	95303000078	HOOD SUPPORT	
60	00111970176	BLACK CABLE HOLDER D20	

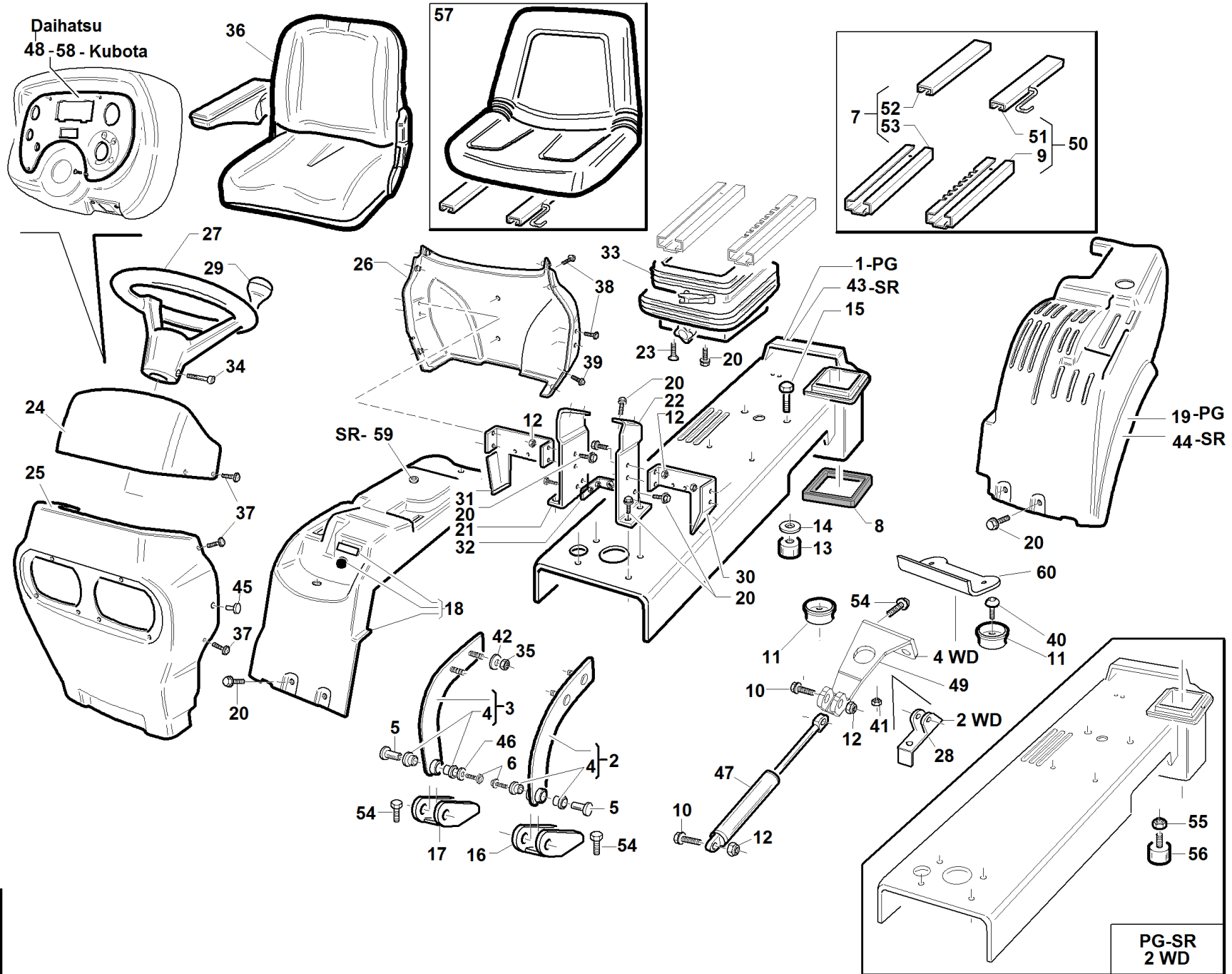
#**P/N****DESCRIPTION****PG/SR****REF. 01 - 00555501051**

61

00111970217

STEERING WHEEL KNOB

PG/SR



S/N

→ 0706007 ÷ 0910016 ←

REF.01 - 00555501050

#	P/N	DESCRIPTION	PG/SR	REF. 01 - 00555501050
1	95049480000	PG -TURBINE HOOD		
2	95301270000	ASSEMBLD LEFT HOOD SUPPORT		
3	95301260000	ASSEMBLD RIGHT HOOD SUPPORT		
4	00111530003	BUSHING TFF 14X16 L=9		
5	94500000007	HOPPER FIXING PIN		
6	00111450014	SCREW FR M6X12		
7	00777850005	SEAT RIGHT GUIDE PAIR		
8	95030300002	BAND L=540		
9	00777850004	LOWER LEFT GUIDE		
10	00111450002	SCREW WASHER M8X30		
11	95301000001	CENTRING DUMPER MEMBER		
12	00111000071	SELF BLO. NUT M8		
13	00111970038	VIBRATION-DAMPING STOPPER M10 F		
14	00111000070	WASHER P. 11X30X2.5 ZNT		
15	00111300028	SCREW TE M10X12		
16	95301000009	HINGE HOOD LEFT FORK		
17	95301000010	HINGE HOOD RIGHT FORK		
18	95598650000	RIGHT PG MUDGUARD WITH CAP		
19	95302000001	LEFT PG MUDGUARD		
20	00111450003	SCREW WASHER M8X20		
21	95301000016	RIGHT PG STEERING COLUMN		
22	95301000015	LEFT PG STEERING COLUMN		
23	00111000186	SCREW TSPEI M8X20		
24	95301000026	DASHBOARD		
25	95301290001	PG/SR FRONT DASHBOARD		
26	95049540000	PG REAR DASHBOARD		
27	00111970182	STEERING WHEEL		
28	95200000004	GAS SPRING SUPPORT BRACKET		
29	00111970145	STEERING WHEEL KNOB		
30	95301000008	LEFT FRONT LIGHT SUPPORT		
31	95301000007	RIGHT FRONT LIGHT SUPPORT		
32	95301230000	REINFORCEMENT STEERING COLUMN		
33	00777850021	SPRING SEAT + LOWER SLIDES		
34	00111400015	ALLEN SCREW M6X40		
35	00111000095	SELF BLO. NUT M8		
36	00777850016	PG CONFORT SEAT		
37	00111450017	SCREW FR M4X18		
38	00111450015	SCREW M8x30		
39	00111450016	SCREW M6x25		
40	00111450012	SCREW FR M 6X20		
41	00111000166	SELF BL. SCREW M6		
42	00111000061	WASHER 8.4X24X2		
43	95207250000	SR HOOD COMPL.		
44	95310000001	SR LEFT MODGUARD		
45	00111970095	KNOB -81205-		
46	00111000037	WASHER 6.6X18X2		
47	00111990106	360N GAS SPRING		
48	95133100001	PG 180D INSTRUMENT PLATE		
49	95303000074	SPRING SUPPORT		
50	00777850023	SEAT LEFT GUIDE PAIR		
51	00777850022	UPPER LEFT GUIDE WITH LEVER		
52	00777850010	UPPER RIGHT GUIDE		
53	00777850003	LOWER RIGHT GUIDE		
54	00111000059	FAKE SCREW/WASH. M8X14		
55	00111150002	NUT M10 6S ZNT		
56	00111970005	VIBRATION-DAMPING STOPPER M10		
57	00777850020	OTTO SEAT + UPPER SLIDES + MICROSWITCH		
58	95124240001	PG 200D INSTRUMENT PLATE		
59	00111970176	BLACK CABLE HOLDER D20		

#**P/N****DESCRIPTION****PG/SR****REF. 01 - 00555501050**

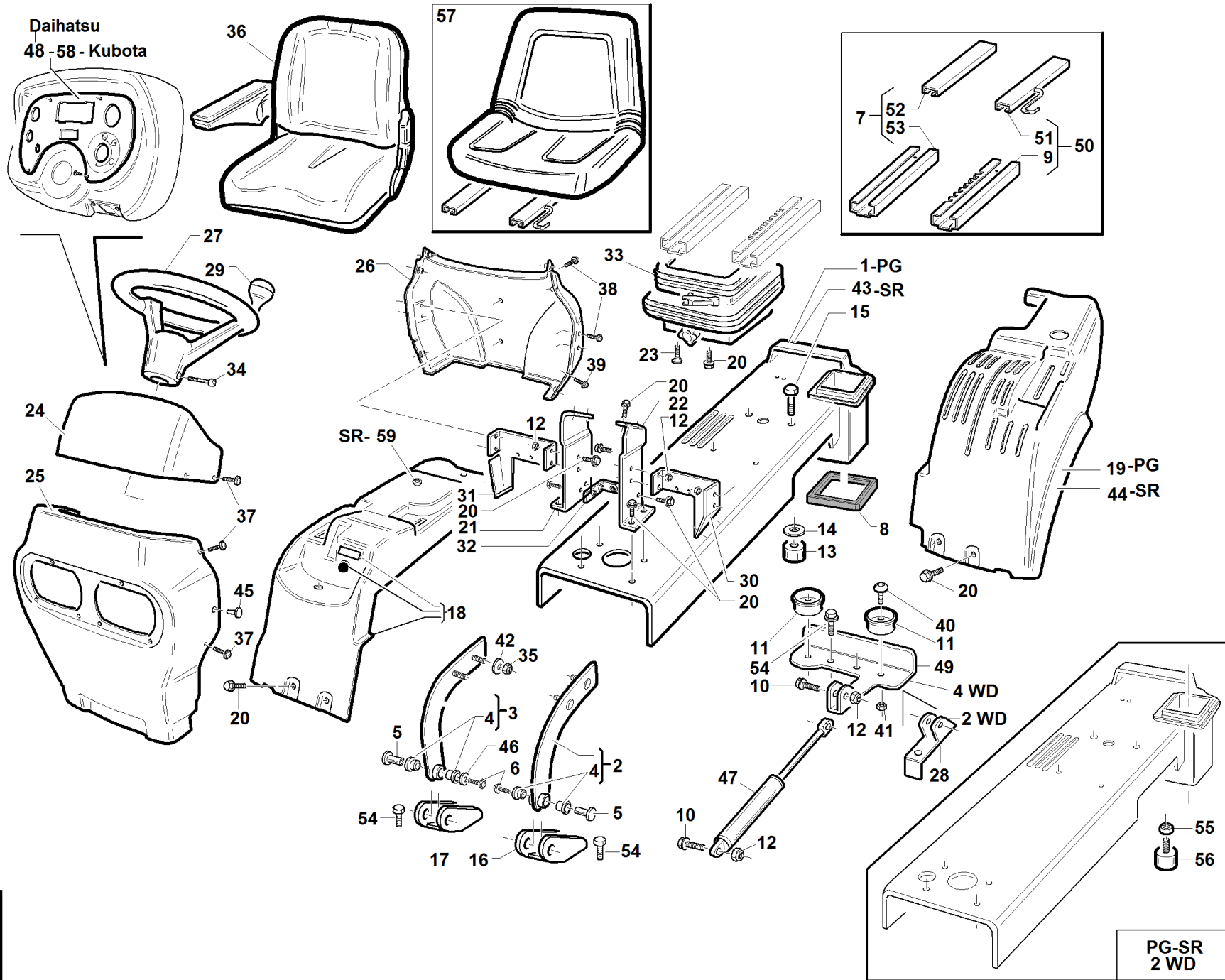
60

95303000078

HOOD SUPPORT

PG/SR

Daihatsu
48-58-Kubota



S/N

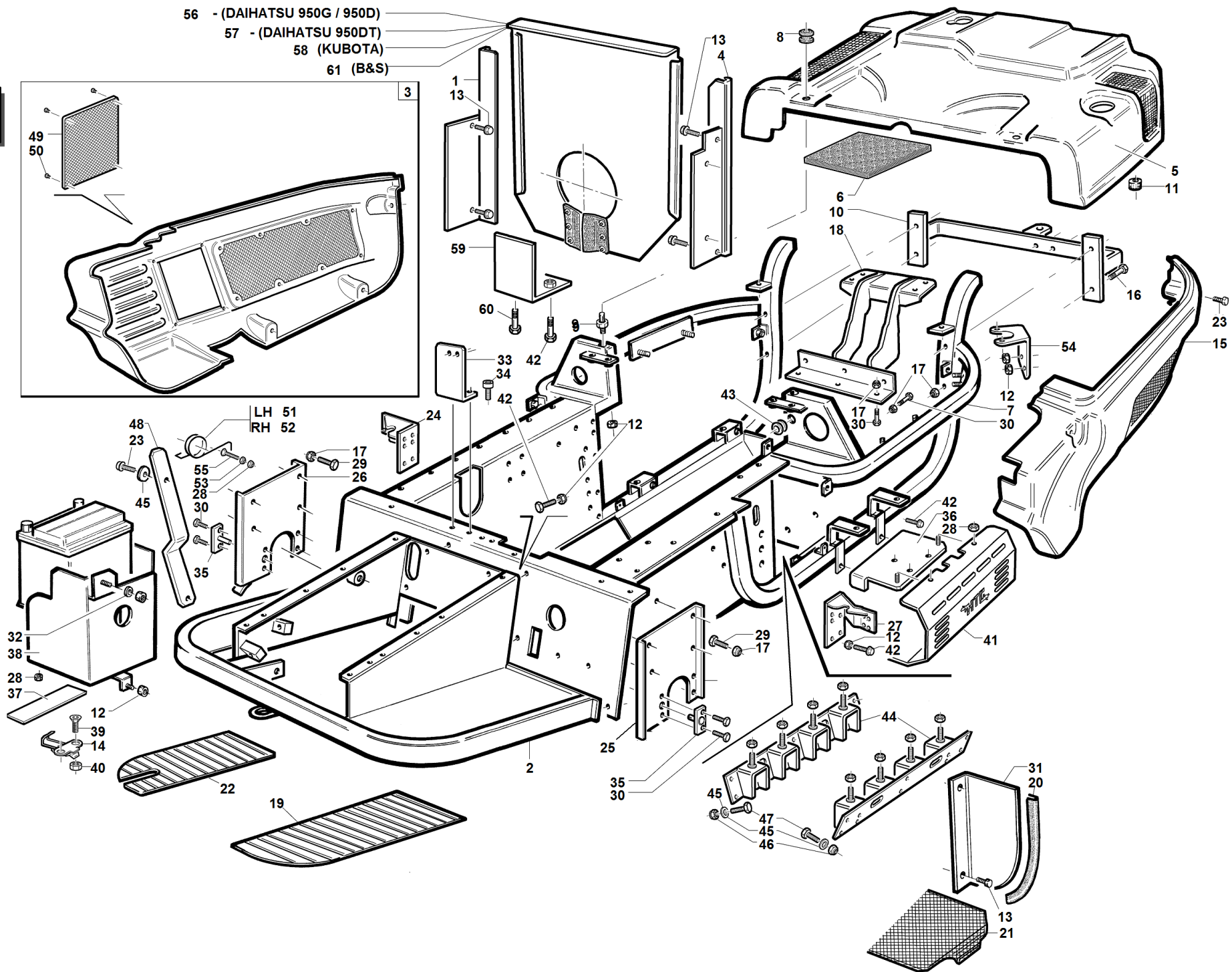
→ **0603001 ÷ 0706003** ←

REF.01 - 00555501001

**PG-SR
2 WD**

#	P/N	DESCRIPTION	PG/SR	REF. 01 - 0055501001
1	95049480000	PG -TURBINE HOOD		
2	95301270000	ASSEMBLD LEFT HOOD SUPPORT		
3	95301260000	ASSEMBLD RIGHT HOOD SUPPORT		
4	00111530003	BUSHING TFF 14X16 L=9		
5	94500000007	HOPPER FIXING PIN		
6	00111450014	SCREW FR M6X12		
7	00777850005	SEAT RIGHT GUIDE PAIR		
8	95030300002	BAND L=540		
9	00777850004	LOWER LEFT GUIDE		
10	00111450002	SCREW WASHER M8X30		
11	95301000001	CENTRING DUMPER MEMBER		
12	00111000071	SELF BLO. NUT M8		
13	00111970038	VIBRATION-DAMPING STOPPER M10 F		
14	00111000070	WASHER P. 11X30X2.5 ZNT		
15	00111300028	SCREW TE M10X12		
16	95301000009	HINGE HOOD LEFT FORK		
17	95301000010	HINGE HOOD RIGHT FORK		
18	95598650000	RIGHT PG MUDGUARD WITH CAP		
19	95302000001	LEFT PG MUDGUARD		
20	00111450003	SCREW WASHER M8X20		
21	95301000016	RIGHT PG STEERING COLUMN		
22	95301000015	LEFT PG STEERING COLUMN		
23	00111000186	SCREW TSPEI M8X20		
24	95301000026	DASHBOARD		
25	95301290001	PG/SR FRONT DASHBOARD		
26	95049540000	PG REAR DASHBOARD		
27	00111970182	STEERING WHEEL		
28	95200000004	GAS SPRING SUPPORT BRACKET		
29	00111970145	STEERING WHEEL KNOB		
30	95301000008	LEFT FRONT LIGHT SUPPORT		
31	95301000007	RIGHT FRONT LIGHT SUPPORT		
32	95301230000	REINFORCEMENT STEERING COLUMN		
33	00777850021	SPRING SEAT + LOWER SLIDES		
34	00111400015	ALLEN SCREW M6X40		
35	00111000095	SELF BLO. NUT M8		
36	00777850016	PG CONFORT SEAT		
37	00111450017	SCREW FR M4X18		
38	00111450015	SCREW M8x30		
39	00111450016	SCREW M6x25		
40	00111450012	SCREW FR M 6X20		
41	00111000166	SELF BL. SCREW M6		
42	00111000061	WASHER 8.4X24X2		
43	95207250000	SR HOOD COMPL.		
44	95310000001	SR LEFT MODGUARD		
45	00111970095	KNOB -81205-		
46	00111000037	WASHER 6.6X18X2		
47	00111990106	360N GAS SPRING		
48	95133100001	PG 180D INSTRUMENT PLATE		
49	95303000001	HOOD SUPPORT		
50	00777850023	SEAT LEFT GUIDE PAIR		
51	00777850022	UPPER LEFT GUIDE WITH LEVER		
52	00777850010	UPPER RIGHT GUIDE		
53	00777850003	LOWER RIGHT GUIDE		
54	00111000059	FAKE SCREW/WASH. M8X14		
55	00111150002	NUT M10 6S ZNT		
56	00111970005	VIBRATION-DAMPING STOPPER M10		
57	00777850020	OTTO SEAT + UPPER SLIDES + MICROSWITCH		
58	95124240001	PG 200D INSTRUMENT PLATE		
59	00111970176	BLACK CABLE HOLDER D20		

PG/SR



#	P/N	DESCRIPTION	PG/SR
1	PC95049280000	RIGHT COMPL.CHANNEL	
2	95301130000	FRONTAL FRAME	
3	95301340000	ENGINE RIGHT SIDE BODY	
4	PC95049290000	LEFT COMPL.CHANNEL	
5	95303240000	ASSEMBLED ENGINE COVER	
6	95534000001	DEADENING PANNEL 250 x 165-	
7	95301190000	PG/SR FRAME COMPLETE	
8	00111970066	CABLE HOLDER D.I.9	
9	95048100011	HOOD STOP PIN	
10	95301180000	FRAME SUPPORT	
11	00111970118	VIBRATION-DAMPING STOPPER M6 F H=31	
12	00111000071	SELF BLO. NUT M8	
13	00111450005	SCREW/W M6X16	
14	00111990038	CLOSURE 18-1104	
15	95200160000	LEFT SIDE ASSEMBLED BODY	
16	00111300029	SCREW TE M10X55	
17	00111250013	SELF BL.NUT M10	
18	95301250000	AXLE SUPPORT	
19	95301000005	LEFT FOOTBOARD	
20	95049000022	WASHER 229/6 I=320	
21	PV95049000025	COLLECTOR EXTRACTABLE GRID	
22	95301000006	RIGHT FOOTBOARD	
23	00111450004	SCREW WASHER M8X12	
24	95125110000	RIGHT BRACKET	
25	95301160001	LEFT GEAR BOX SUPPORT	
26	95301170001	RIGHT GEAR BOX SUPPORT	
27	95125190000	LEFT BRACKET	
28	00111000166	SELF BL. SCREW M6	
29	00111000076	SCREW TE M10X25	
30	00111000103	SCREW TE M10X30	
31	PC95049290002	PROTECTION BUMPER	
32	00111000061	WASHER 8.4X24X2	
33	95303000006	FILTER SUPPORT	
34	00111000067	ALLEN SCREW M10X20	
35	95301150000	LIFTING ARMS SUPPORT	
36	95303250000	VALVE SUPPORT	
37	95049000027	AIR STOP 20X5 301F L = 40 mm	
38	PC95049260000	BATTERY HOLDER	
39	00111350019	SCREW TSPEI M4X14	
40	00111250006	SELF BL. NUT M4	
41	95303000059	VALVE PROTECTION	
42	00111450001	SCREW WASHER M8X25	
43	00111970010	RUBBER EDGE 14X18X23	
44	95200140000	ENGINE SUPPORT COMPLETE	
45	00111000087	WASHER P.8,4X15.6X1,5	
46	00111250014	SELF BL. NUT M8	
47	00111300064	SCREW M8X25	
48	95303000024	MOWER DECK OVERTURNING PLATE	
49	95201000004	RIGHT KUBOTA ENGINE FAIRING GRID	
50	00111800007	RIVET D.3,9X12	
51	95303000062	LEFT LAWNMOWER OVERTURNING SPRING	
52	95303000061	RIGHT LAWNMOWER OVERTURNING SPRING	
53	00111000155	NUT M6	
54	95304000005	DIESEL FILTER SUPPORT	
55	00111350030	SCREW TSPEI M6X25	
56	95315120000	ENGINE CLOSING PLATE	
57	95303200000	ASSEMBLED ENGINE SPACE CLOSING PLATE	
58	95309000003	ENGINE CLOSING PLATE	
59	95309110000	ENGINE BUMPER	

#**P/N****DESCRIPTION****PG/SR****REF. 02 - 00555501002**

60

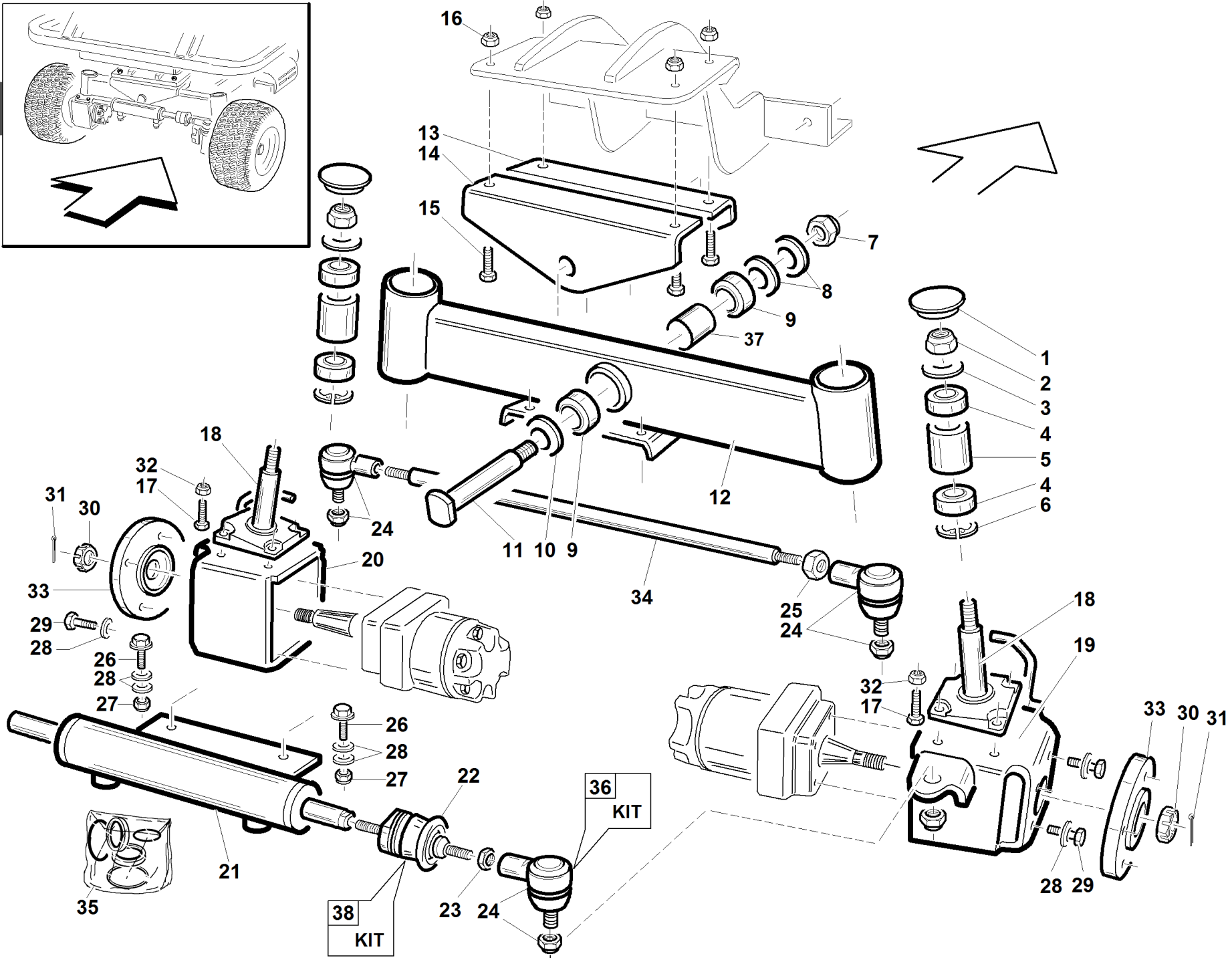
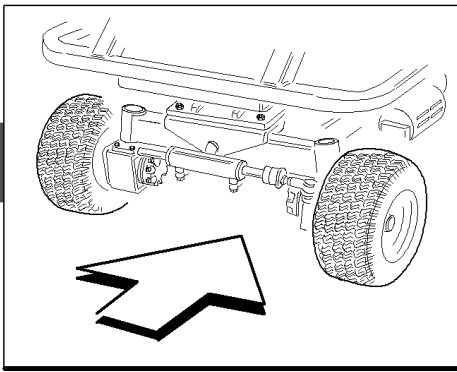
00111450003

SCREW WASHER M8X20

61

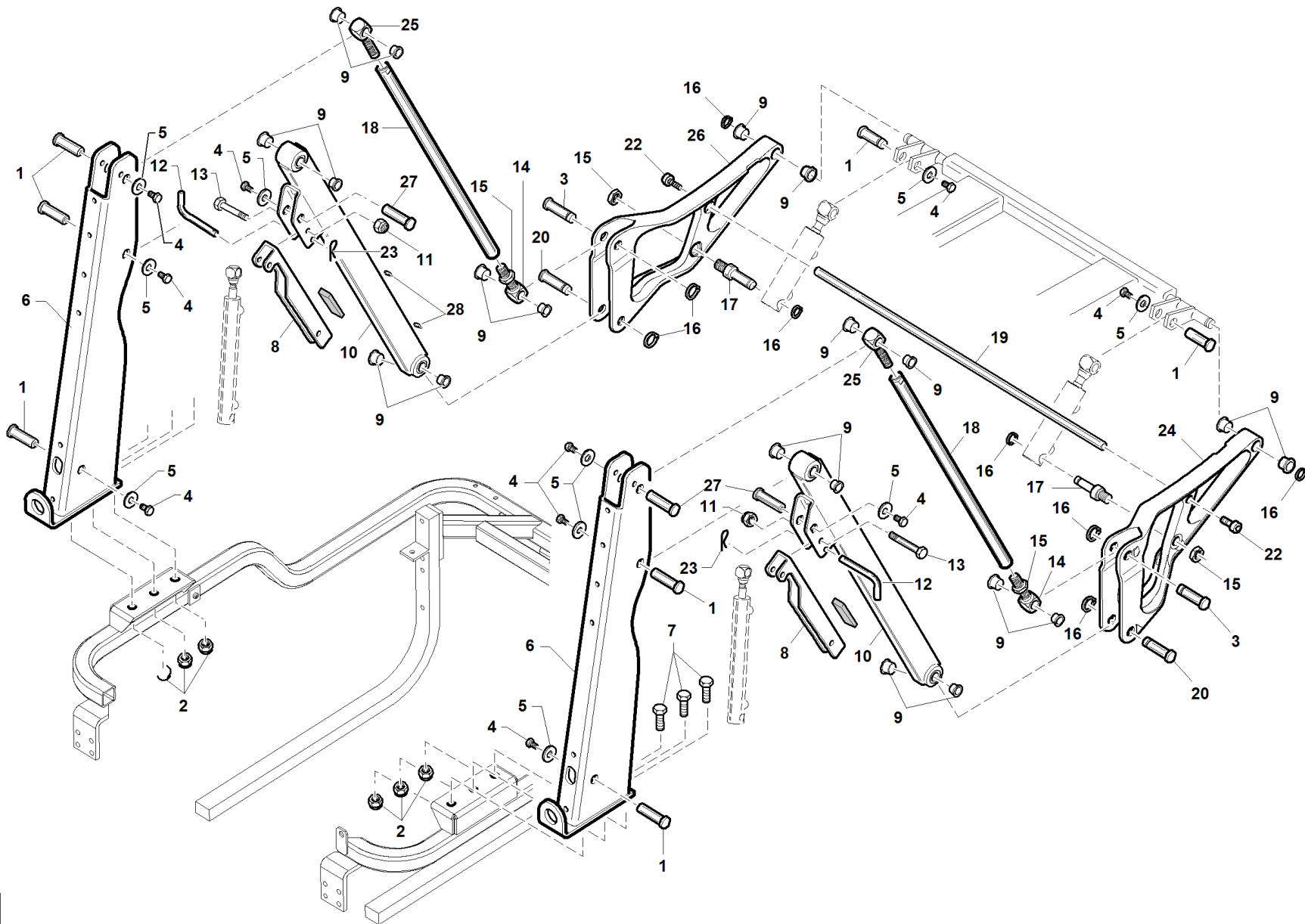
95332000004

ENGINE BUMPER



#	P/N	DESCRIPTION	PG/SR-W
1	94500000087	INSIDE BEARING PROTECTION	
2	00111250011	SELF BL. NUT M14x1,5	
3	95303110004	SPACER D14.5XD35X3	
4	00777100012	BEARING 6006 2RS 30X55X13	
5	95303110005	SPACER D31 XD36 X45	
6	00111650003	SNAP RING D.55 I	
7	00111250007	SELF BL. NUT M20X1.5	
8	95303110003	SPACER D20.5X D35X3	
9	00777100053	BEARING 61906 30X47X9	
10	95303110001	SPACER D30.3 X D38 X3	
11	95303110002	AXLE PIN	
12	95301200000	REAR COMPLETE AXLE	
13	95303000009	FRONT FORK	
14	95303000010	REAR FORK	
15	00111000103	SCREW TE M10X30	
16	00111250013	SELF BL.NUT M10	
17	00111300052	SCREW TE UNI 5739	
18	95303110007	STEERING PIN	
19	95303180000	RIGHT REAR WHEEL-ROTOR SUPPORT	
20	95303190000	LEFT REAR WHEEL-ROTOR SUPPORT	
21	95301000013	STEERING HYDRAULIC JACK	
22	00777200024	AXLE ARTICULATION M14X1.5	
23	00111150024	NUT M12X1.25 - 6S	
24	00777200023	STEERING ARTICULATION M12X1.25	
25	00111500027	NUT M12X1.25	
26	00111300084	SCREW TE M10X35	
27	00111250013	SELF BL.NUT M10	
28	00111550005	WASHER M10	
29	00111300075	SCREW	
30	95599000038	"3/4"" -28 CASTELLATED NUT"	
31	00111750007	SPLIT PIN	
32	00111250025	NUT METB 8MA	
33	95303000014	WHEEL SUPPORT	
34	95303000011	TIE ROD STEERING	
35	95599610000	OIL SEAL KIT	
36	95598240000	STEER. ARTICUL. GUARD KIT (00777200023)	
37	95303110006	SPACER Ø31XØ36X72	
38	95597260000	AXIAL JOINT GUARD KIT (00777200024)	

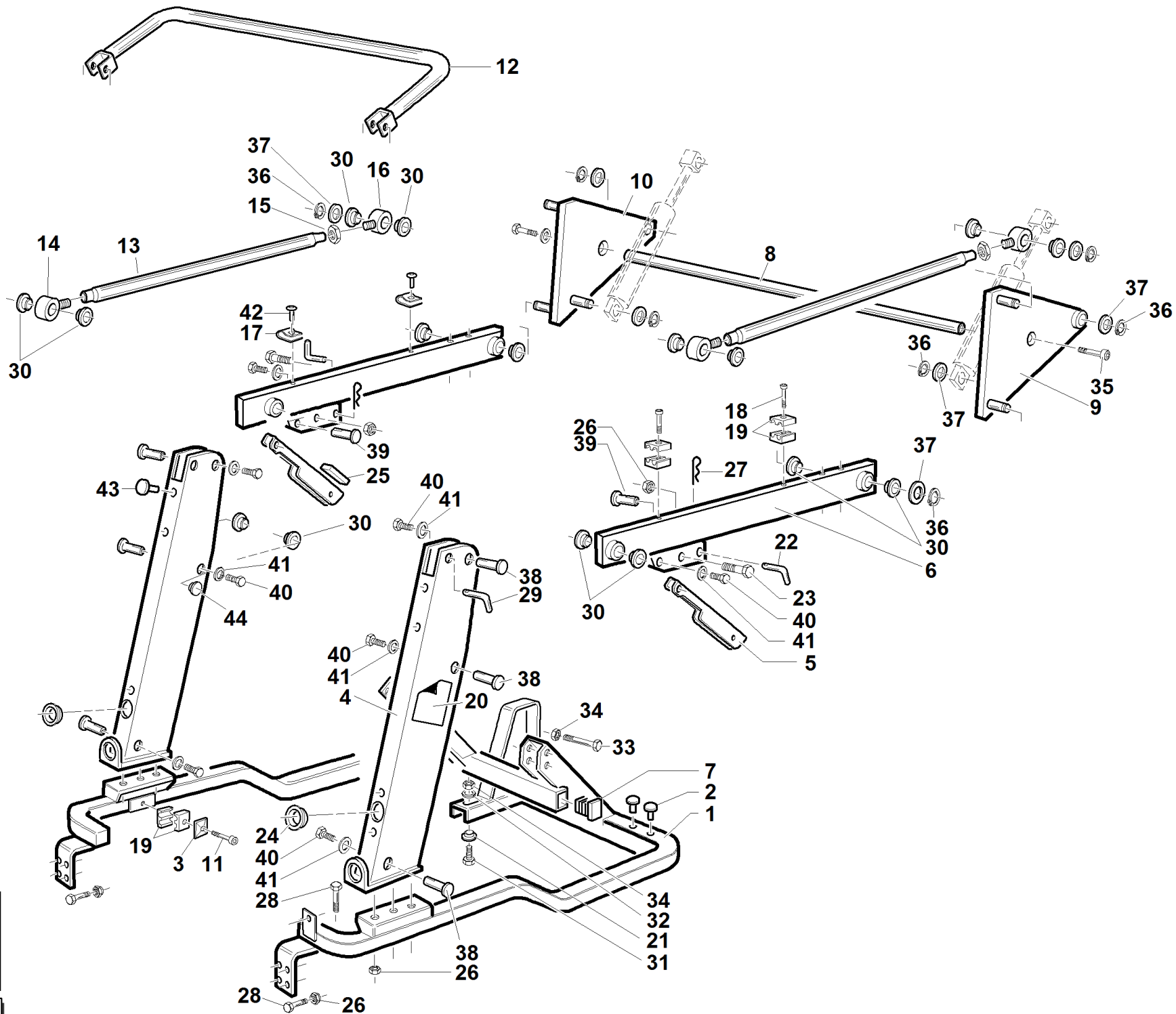
PG-SR



S/N
→ **1010029**

REF.04 - 00555501056

#	P/N	DESCRIPTION	PG-SR
1	94010000060	CYLINDER FIXING PIN	
2	00111250004	SELF BL. NUT M10	
3	95305000004	OVERTURNING PIN L=54.5	
4	00111000081	SCREW TE M8X16	
5	00111000061	WASHER 8.4X24X2	
6	95305110000	HIGH DUMP COLUMN	
7	00111300018	SCREW TE M10X35	
8	95125000008	SECURITY CAP	
9	00111990017	BUSHING WITH EDGE TFF 20/16,5	
10	95305100000	COMPLETE LIFTING ARM	
11	00111250004	SELF BL. NUT M10	
12	95125000009	PIN	
13	00111300049	SCREW TE UNI 5737	
14	94013000015	BUSHING M20X1.5	
15	00111150011	NUT 5589 M20X1.5	
16	00111000057	SNAP RING D.20 E	
17	95305000006	CYLINDER PIN	
18	95305000003	HIGH DUMP TIE ROD	
19	95125000001	LIFT ARM SPACER	
20	95305000005	OVERTURNING PIN L=69.5	
21	00111150001	NUT M18X1.5	
22	00111400041	SCREW M14X30	
23	00111750004	"BETA DECO" SPLIT PIN	
24	95305000002	LH TRIANGLE BRACKET FOR HIGH DUMPING	
25	94017000003	BUSHING M20X1.5 LEFT	
26	95305000001	RIGHT TRIANGLE	
27	94010000059	ROD FIXING PIN	
28	00111810017	CLAMP 5-16	



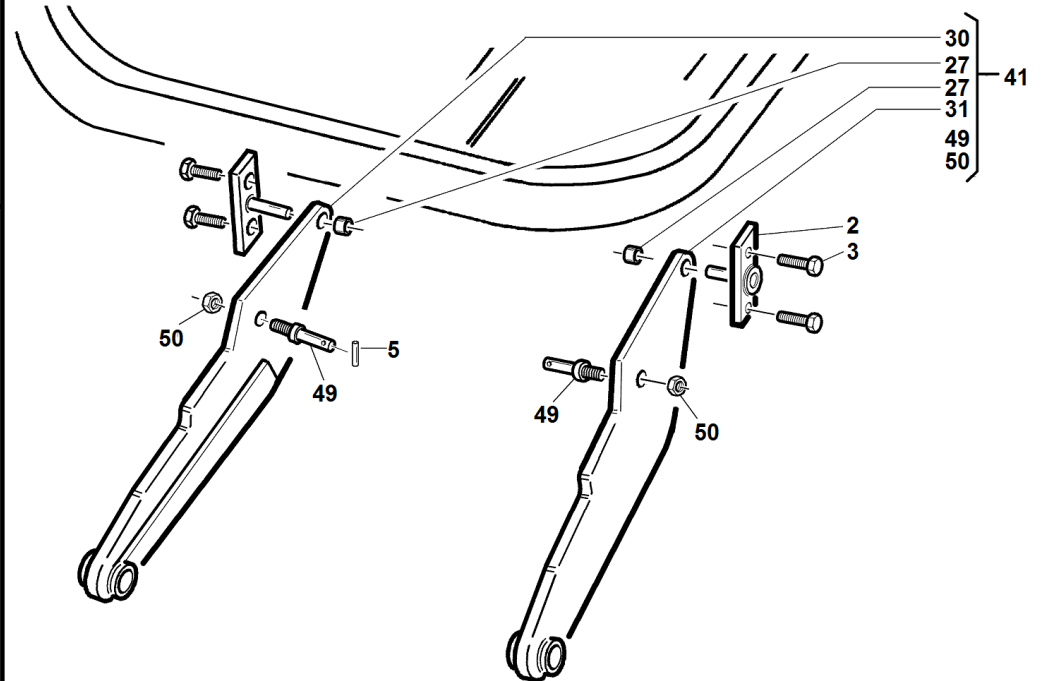
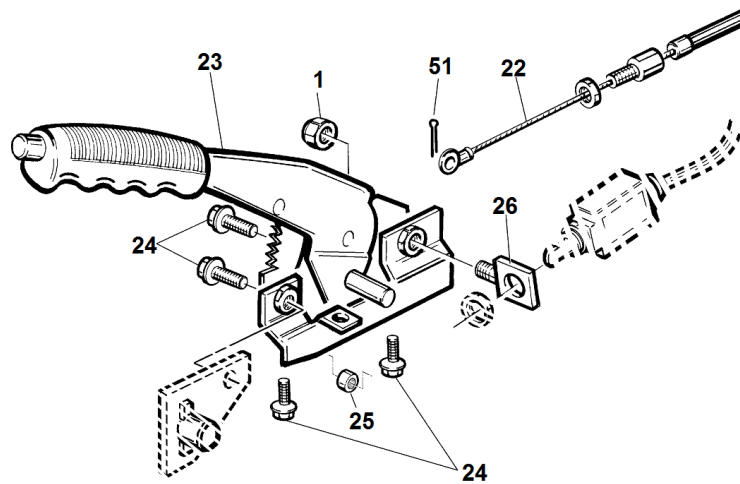
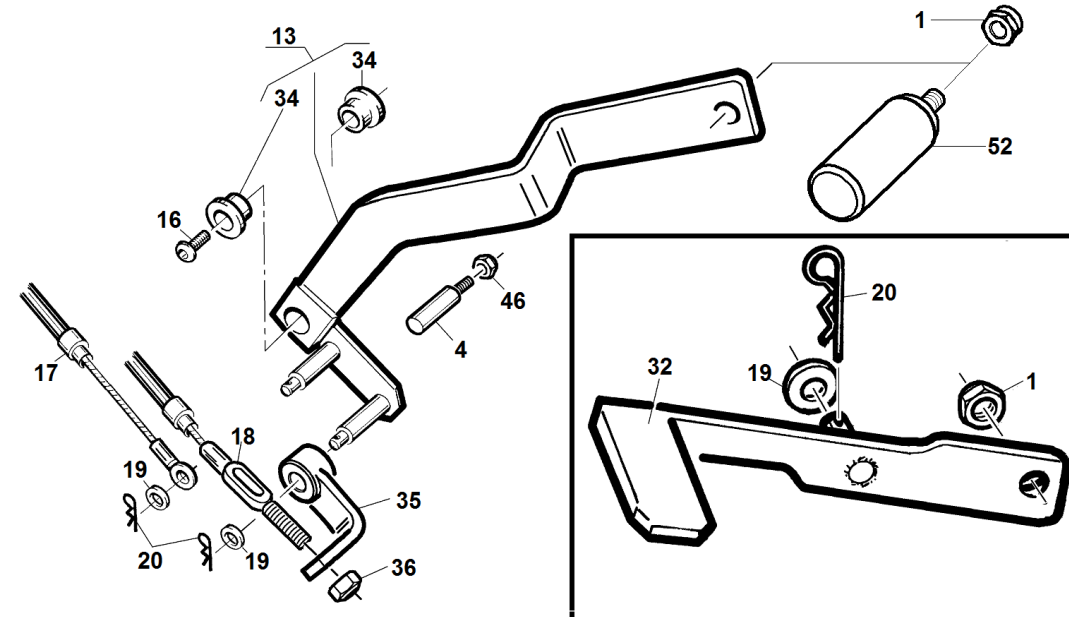
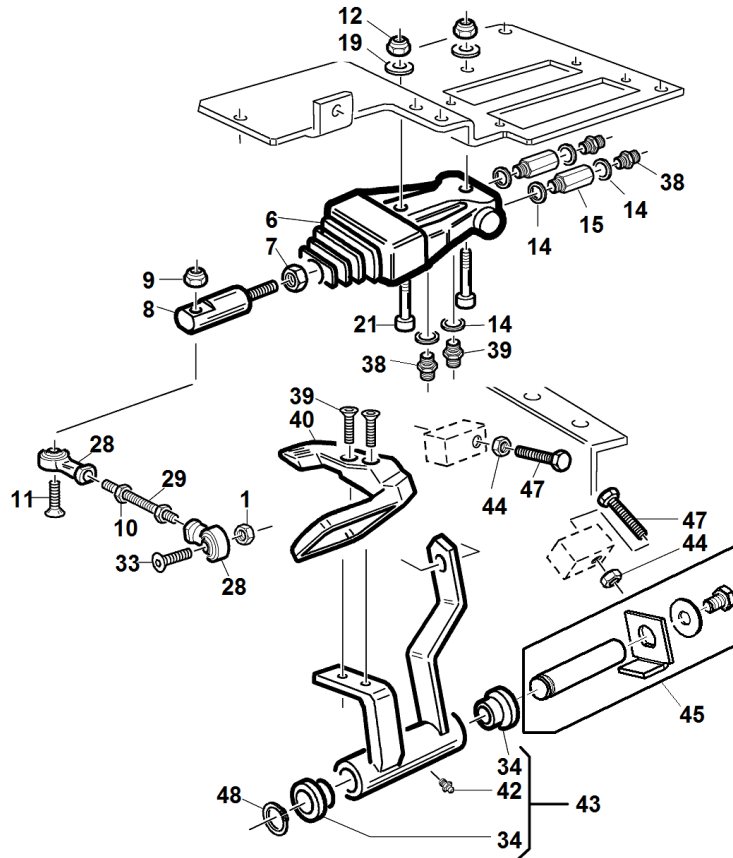
S/N

→06401807÷ 1010028 ←

REF.04 - 00555501004

#	P/N	DESCRIPTION	PG/SR
1	95125130000	COMPLETE FRAME	
2	00111970168	CLOSER PLUG	
3	00111990081	COLLAR PAIR PLATE	
4	95125210000	COMPLETE UPRIGHT	
5	95125000008	SECURITY CAP	
6	95125170000	LIFTING ARM	
7	00111970148	RECTANGULAR PUSH ROD 30x40	
8	95125000001	LIFT ARM SPACER	
9	95125160000	LEFT TRIANGLE	
10	95125150000	RIGHT TRIANGLE	
11	00111990082	SCREW TE M6X35	
12	95125100000	COMPLETE ROLL BAR	
13	95125000012	HIGH DUMP TIE ROD	
14	94017000003	BUSHING M20X1.5 LEFT	
15	00111150011	NUT 5589 M20X1.5	
16	94013000015	BUSHING M20X1.5	
17	00111810020	CLAMP 3/8 -82197	
18	00111400015	ALLEN SCREW M6X40	
19	11001000012	DOUBLE COLLAR 12X12 P.	
20	00555200119	TRANSFER PRINTING	
21	95006000015	BLADE BUSHING	
22	95125000009	PIN	
23	00111300049	SCREW TE UNI 5737	
24	00111970128	FAIRLEAD UPRIGHT	
25	95128100001	AIR STOP 20X15 L=70	
26	00111250004	SELF BL. NUT M10	
27	00111750004	"BETA DECO" SPLIT PIN	
28	00111300018	SCREW TE M10X35	
29	95125000010	ROLLBAR PIN	
30	00111990017	BUSHING WITH EDGE TFF 20/16,5	
31	00111000024	SCREW TE UNI 5739	
32	00111500003	WASHER 12X36X3	
33	00111300010	SCREW TE M12X70	
34	00111250009	SELF BL. NUT M12X1.5	
35	00111400041	SCREW M14X30	
36	00111000057	SNAP RING D.20 E	
37	00111500011	WASHER 20X30X2	
38	94010000060	CYLINDER FIXING PIN	
39	94010000059	ROD FIXING PIN	
40	00111000081	SCREW TE M8X16	
41	00111000061	WASHER 8.4X24X2	
42	00111000054	RIVET D.4.8x12 AL	
43	00111970169	CLOSER PLUG D. 10.5	
44	00111970172	RUBBER BLACK PLUG	

PG-SR-W



#

P/N

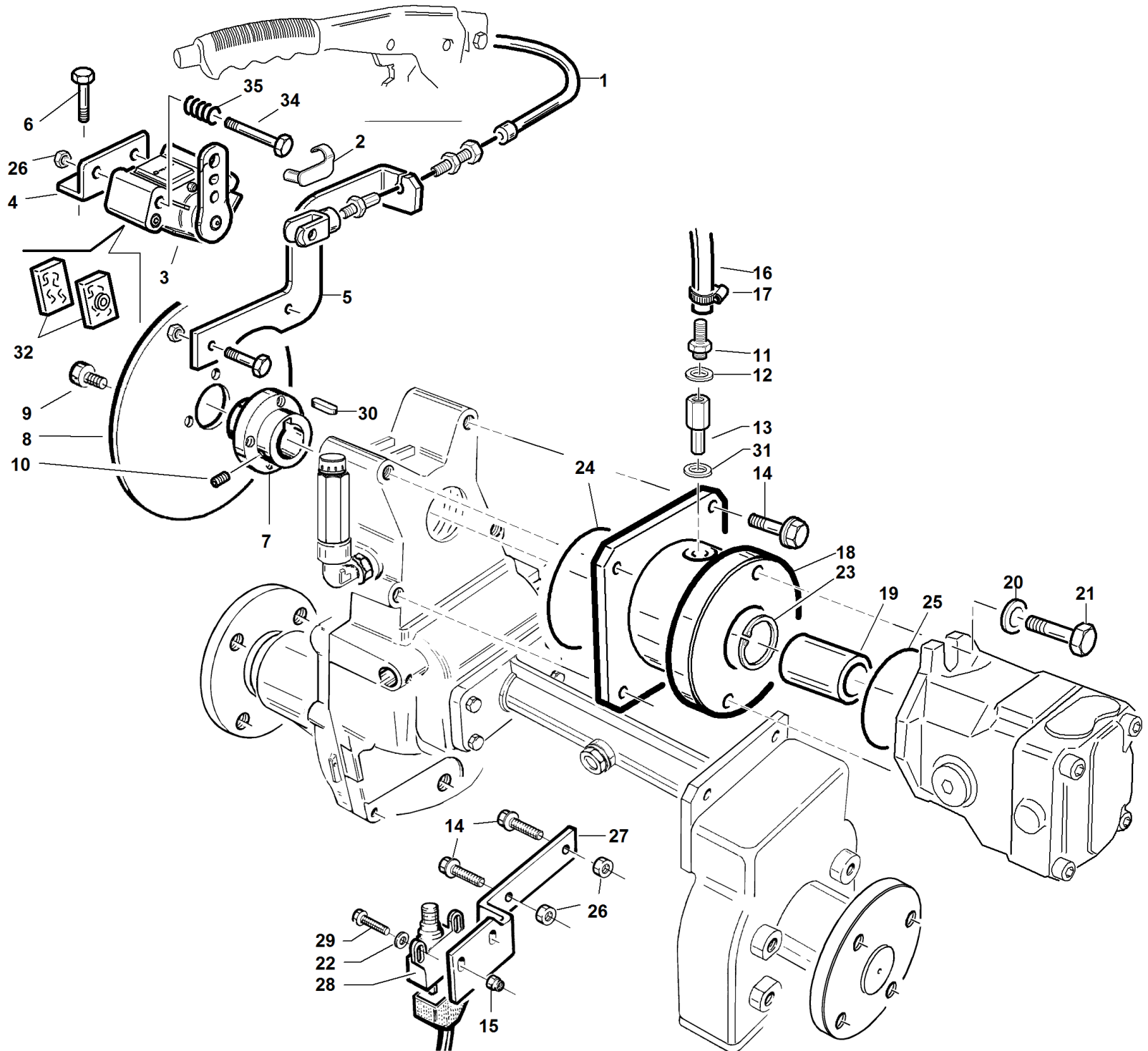
DESCRIPTION

PG-SR-W

REF. 05 - 00555501006

1	00111000071	SELF LOCKING NUT M8 UNI 7473	
2	95301150000	LIFTING ARMS SUPPORT	
3	00111000103	SCREW TE M10X30	
4	95301000002	LEVER DRILL ROD	
5	00111700006	PIN EL D.6X28	
6	95303000019	HYDRAULIC PEDAL SERVOCONTROL	
7	00111150002	NUT M10 UNI 5588	
8	95303000013	THREADED PIN M10	
9	00111250018	"NUT ""CONEKLOK"" M8"	
10	00111000082	NUT M8	
11	00111000145	SCREW TE M8 X 35	
12	00111000035	SELF BLOC. NUT M6	
13	95301280000	LEVER PTO TURBINE COMP.	
14	00777600001	WASHER COPPER 1/4	
15	00777600037	EXTENSION M/F 1/4 L=35	
16	00111450004	SCREW WASHER M8X12	
17	95301000020	BLADE BRAKE CABLE	
18	95042210004	ADJUSTABLE TURBINE AND PTO CABLE	
19	00111500009	WASHER 6.4X12.5X1.6	
20	00111000114	"PIN ""R"" D.1,2"	
21	00111400015	ALLEN SCREW M6X40	
22	95042000013	HAND BRAKE CABLE	
23	00111990015	HAND BRAKE LEVER	
24	00111450003	SCREW WASHER M8X20	
25	95001000027	BORE WASHER Ø8.25X14 L=8	
26	PZ95042190000	MICRO SUPPORT	
27	00111530005	BUSHING FRIMET 18 20 10	
28	00777200007	ARTICULATION HEAD CF8 M8	
29	95303000060	PEDAL LEVER STAFF	
30	95303150002	LIFTING ARM	
31	95303150002	LIFTING ARM	
32	PZ95001390000	DIFFERENTIAL LOCK PEDAL	
33	00111350022	SCREW TSPEI M8X30 ZNT	
34	95001000060	BRASS BUSHING	
35	PZ95042216000	TURBINE CABLE REGISTER	
36	00111000095	SELF BLO. NUT M8	
37	95301140000	ADVANCING PEDAL SUPPORT	
38	00777600122	NIPPLE 1/4 X 1/4 - 0,9 ORIFICE	
39	00777600121	NIPPLE 1/4 X 1/4 - 0,5 ORIFICE	
40	95533000003	ACCELERATOR PEDAL	
41	95599590000	PG-W LIFT ARMS KIT	
42	00111000036	GREASER M6	
43	95301320000	PEDAL SUPPORT	
44	00111150003	NUT M8	
45	95597270000	PEDAL PIN KIT	
46	00111000166	SELF LOCKING NUT M6 UNI 7473	
47	00111000033	SCREW TE M8X30	
48	00111650004	SNAP RING D.15 E	
49	95301000032	CYLINDER SUPPORT PIN	
50	00111150005	NUT M16X1.5	
51	00111750006	SPLIT PIN 1,6X20	
52	95500000071	PTO LONG KNOB	

PG/SR-W



S/N
→ **1105023**

REF.06- 00555501059

#

P/N

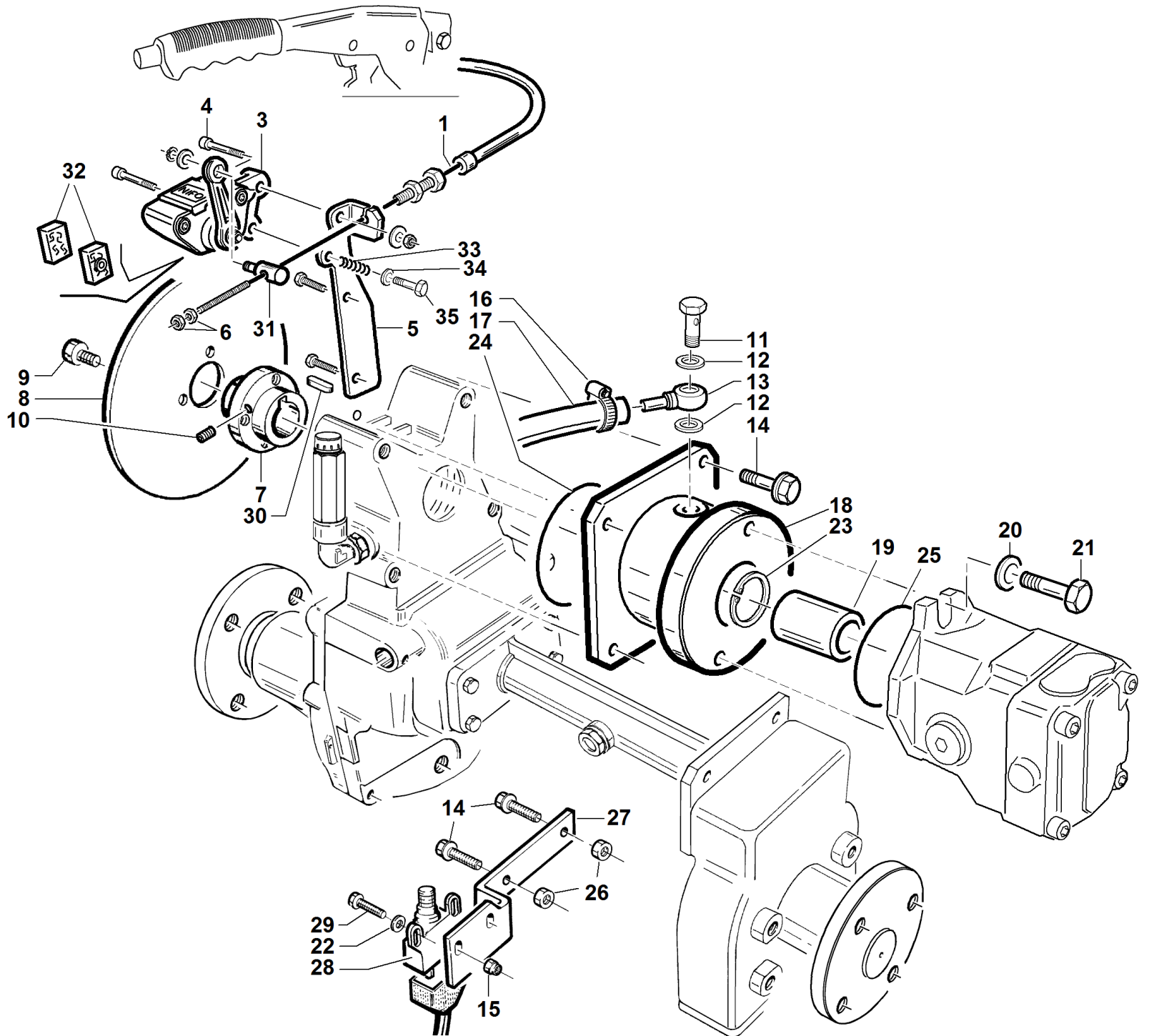
DESCRIPTION

PG/SR-W

REF. 06- 00555501059

1	95301000043	PARKING BRAKE CABLE	
2	95599000126		
3	95301000044	NIFO 1D BRAKE CALIPER	
4	95301380000	BRAKE CALIPER SUPPORT BRACKET	
5	95301000041	SUPPORT BRACKET FOR BRAKE CABLE	
6	00111450003	SCREW WASHER M8X20	
7	95042200004	BRAKE DISC HUB	
8	95303220001	BRAKE DISC	
9	00111000184	SCREW TE M5X10	
10	00111960003	GRUB M6X10	
11	00777600188		
12	00777600181	ALLUMINIUM WASHER 1/4	
13	00777306702	VALVE LITTLE COLUMN M 1/8 - F 1/4	
14	00111450001	SCREW WASHER M8X25	
15	00111250006	SELF BL. NUT M4	
16	00111810010	CLAMP 10-16 TYPE NORMA	
17	95303000065	BREATHER HOSE	
18	95303000002	ENGINE SUPPORT	
19	95303000005	ENGINE BUSHING	
20	00111550005	WASHER M10	
21	00111000103	SCREW TE M10X30	
22	00111500010	WASHER 4.3X9X0.8	
23	00111650027	SNAP RING D.19 I	
24	00777230021	OR RING D=2.62 - Di=82.22	
25	00777230020	OR RING D=5.34 - Di=56.52	
26	00111000071	SELF LOCKING NUT M8 UNI 7473	
27	95301000011	MICRO SWITCH SUPPORT PLATE	
28	00777800023	PUSH BUTTON 15117000	
29	00111300019	SCREW TE M4X20	
30	00111900012	TONGUE A 5X5X16	
31	00777600045	WASHER COPPER 1/8	
32	95597160000	DOUBLE BRAKE PADS	
34	00111300034	SCREW TE M8X115	
35	95301000045		

PG/SR-W



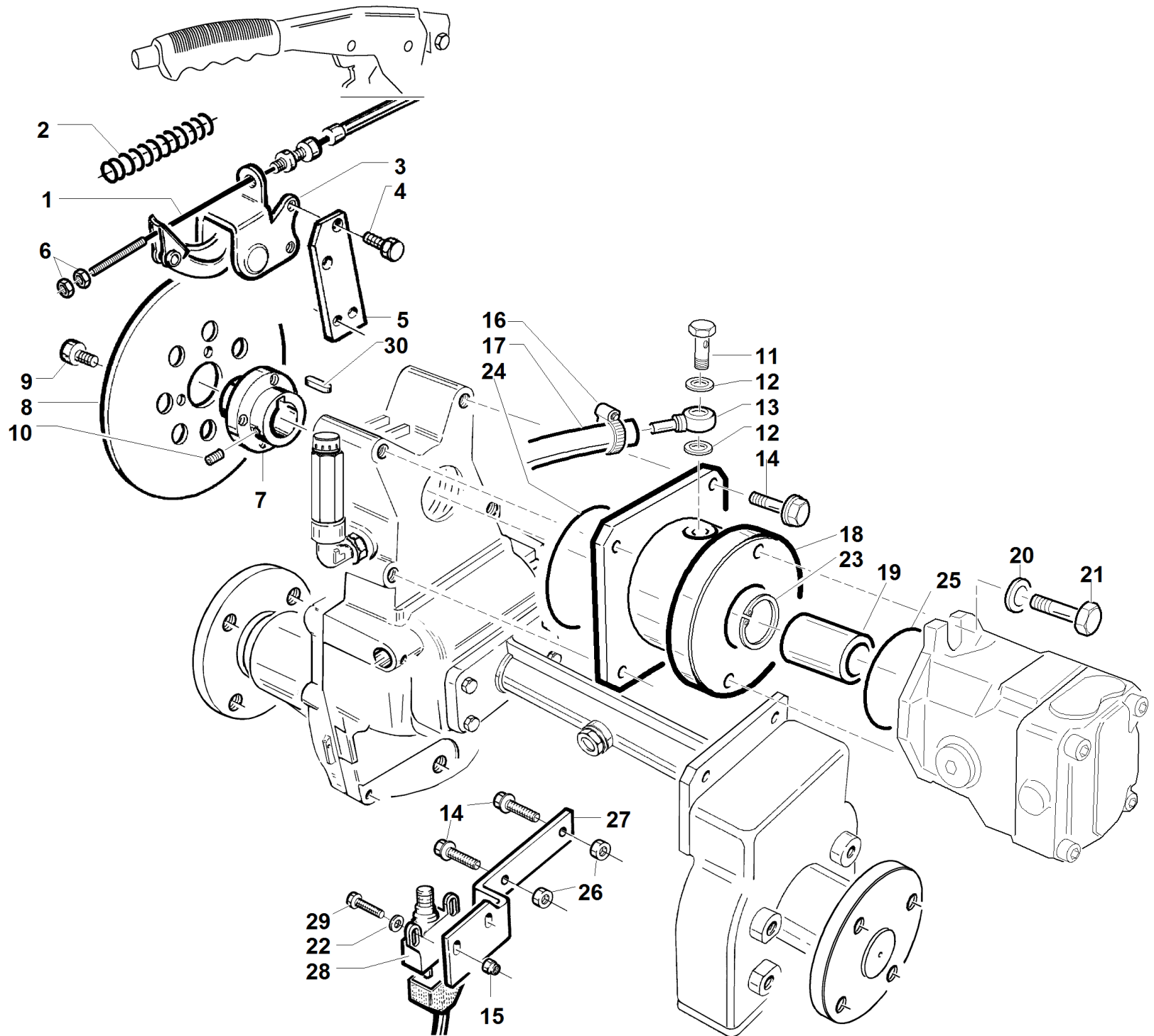
S/N

→ **0805001 ÷ 1105022** ←

→ ÷ ←

REF.06 - 00555501044

#	P/N	DESCRIPTION	PG/SR-W
1	95042000013	HAND BRAKE CABLE	
2	95029000016	BRAKE RECOVERY SPRING	
3	95301000036	CALIPER	
4	00111450005	SCREW/W M6X16	
5	95303221100	CALIPER SUPPORT	
6	00111000155	NUT M6	
7	95042200004	BRAKE DISC HUB	
8	00111990023	BRAKE DISK D.160	
9	00111000184	SCREW TE M5X10	
10	00111960003	GRUB M6X10	
11	00777600041	EMPTY SCREW 3/8	
12	00777600003	WASHER COPPER 3/8	
13	00777600142	METAL EYELET 3/8-1/4	
14	00111450001	SCREW WASHER M8X25	
15	00111250006	SELF BL. NUT M4	
16	00111810010	CLAMP 10-16 TYPE NORMA	
17	95303000065	BREATHER HOSE	
18	95303000002	ENGINE SUPPORT	
19	95303000005	ENGINE BUSHING	
20	00111550005	WASHER M10	
21	00111000103	SCREW TE M10X30	
22	00111500010	WASHER 4.3X9X0.8	
23	00111650027	SNAP RING D.19 I	
24	00777230021	OR RING D=2.62 - Di=82.22	
25	00777230020	OR RING D=5.34 - Di=56.52	
26	00111000071	SELF BLO. NUT M8	
27	95301000011	MICRO SWITCH SUPPORT PLATE	
28	00777800023	PUSH BUTTON 15117000	
29	00111300019	SCREW TE M4X20	
30	00111900012	TONGUE A 5X5X16	
31	95301000038	BRAKE PIN	
32	95599000056	DOUBLE BRAKE PADS	
33	95303000079	SPRING De=12.5 L=27 FILO=1.1	
34	00111000037	WASHER 6.6X18X2	
35	00111300011	SCREW TE M6X20	



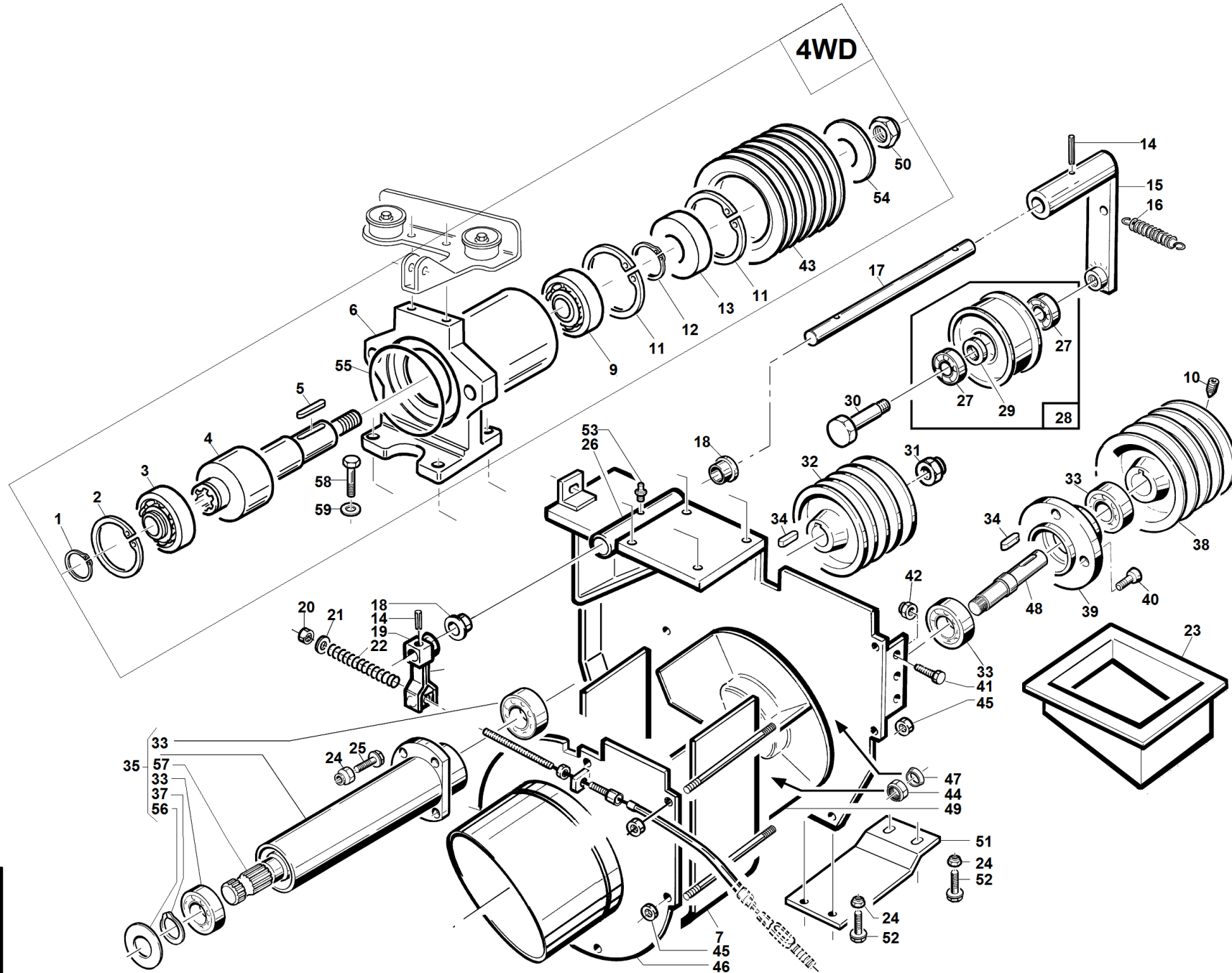
S/N
→ 0603001 ÷ 0804049 ←

REF.06 - 00555501007

#	P/N	DESCRIPTION	PG-SR-W
1	95042000013	HAND BRAKE CABLE	
2	95029000016	BRAKE RECOVERY SPRING	
3	00111990022	RIGHT CALIPER	
4	00111450005	SCREW/W M6X16	
5	95042200005	FLAT IRON FOR BRAKE CALIPER	
6	00111000155	NUT M6	
7	95042200004	BRAKE DISC HUB	
8	00111990023	BRAKE DISK D.160	
9	00111000184	SCREW TE M5X10	
10	00111960003	GRUB M6X10	
11	00777600041	EMPTY SCREW 3/8	
12	00777600003	WASHER COPPER 3/8	
13	00777600142	METAL EYELET 3/8-1/4	
14	00111450001	SCREW WASHER M8X25	
15	00111250006	SELF BL. NUT M4	
16	00111810010	CLAMP 10-16 TYPE NORMA	
17	95303000065	BREATHER HOSE	
18	95303000002	ENGINE SUPPORT	
19	95303000005	ENGINE BUSHING	
20	00111550005	WASHER M10	
21	00111000103	SCREW TE M10X30	
22	00111500010	WASHER 4.3X9X0.8	
23	00111650027	SNAP RING D.19 I	
24	00777230021	OR RING D=2.62 - Di=82.22	
25	00777230020	OR RING D=5.34 - Di=56.52	
26	00111000071	SELF BLO. NUT M8	
27	95301000011	MICRO SWITCH SUPPORT PLATE	
28	00777800023	PUSH BUTTON 15117000	
29	00111300019	SCREW TE M4X20	
30	00111900012	TONGUE A 5X5X16	

PG/SR

4WD



S/N

→ **0707016**

→ **07433207**

REF.08 - 00555501058

#

P/N

DESCRIPTION

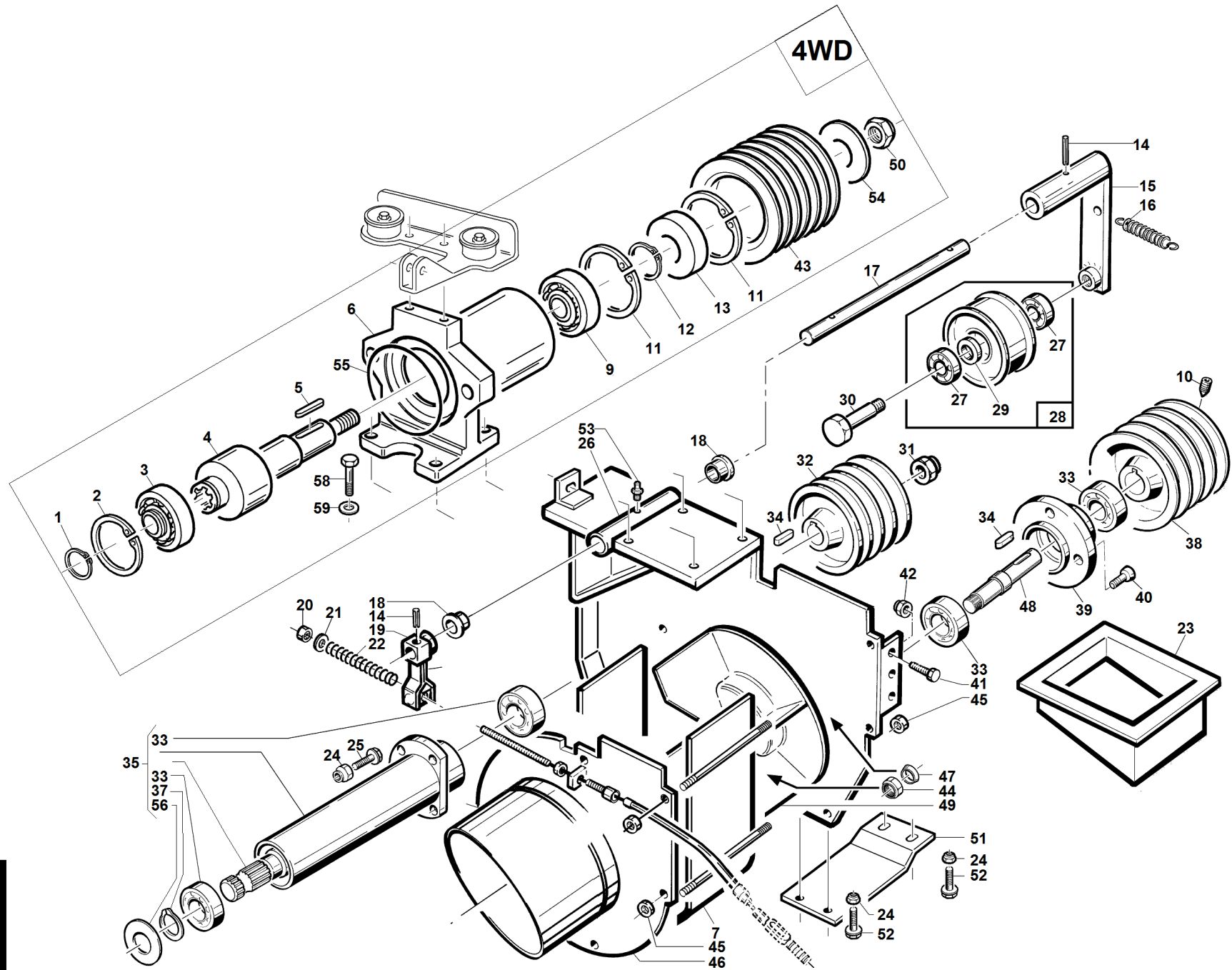
PG/SR

REF. 08 - 00555501058

1	00111000139	SNAP RING D.35 E	
2	00111650026	SNAP RING D.72 I	
3	00777100055	BEARING 6207 35X72X17	
4	95303000004	PUMP SHAFT	
5	00111900007	TONGUE A 6X6X40	
6	95401190000	PUMP SUPPORT	
7	PZ95049391200	TURBINE CIRCULA BAND D=300	
9	00777100054	BEARING 2205 25X52X18	
10	00111960002	GRUB M8X16	
11	00111650009	SNAP RING D.52 I	
12	00111650037	SNAP RING E X Ø25 UNI 7435	
13	00777250026	SEAL WASHER AS 25X52X10	
14	00111700006	PIN EL D.6X28	
15	95302101100	PDP TIGHTENER BELT LEVER	
16	95029000022	TRACTION DISC SPRING	
17	95302100009	PIN	
18	95001000060	BRASS BUSHING	
19	95049391600	PTO TIGHTENER BELT LEVER	
20	00111000155	NUT M6	
21	00111000061	WASHER 8.4X24X2	
22	95001000031	PTO CLUTCH SPRING	
23	95049000024	CHIMNEY WASHER	
24	00111250014	SELF BL. NUT M8	
25	00111300052	SCREW TE UNI 5739	
26	95302101400	SUPPORT TURBINE PLATE	
27	00777100005	KOYO BEARING 6202 2RS	
28	95599580000	STOP BELT PULLEY	
29	95029000023	SPACER 15,5x20x12,2	
30	95029000011	THREADED SHAFT M14X1,5	
31	00111250003	SELF BL. NUT M16	
32	95302100004	PTO PULLEY 4 RACES D=137	
33	00777100020	KOYO BEARING 6204 2RS	
34	00111000174	TONGUE A 6X6X30	
35	95302101600	ASSEMBLY PTO SUPPORT TUBE	
37	00111000057	SNAP RING D.20 E	
38	95302100007	TURBINE PULLEY 4 RACES	
39	95029100001	TURBINE D=240 HUB	
40	00111350012	SCREW TSPEI M8X18	
41	00111000076	SCREW TE M10X25	
42	00111250004	SELF BL. NUT M10	
43	95302100006	PULLEY 6 RACES	
44	00111250007	SELF BL. NUT M20X1.5	
45	00111000095	SELF BLO. NUT M8	
46	95302101500	TURBINE FRONTAL PLATE	
47	95001000066	PULLEY LOCK RING	
48	95302100008	TURBINE SHAFT	
49	PZ95049391300	TURBINE WHEEL D=300	
50	00111250003	SELF BL. NUT M16	
51	95301000019	TURBINE LOWER SUPPORT	
52	00111450001	SCREW WASHER M8X25	
53	00111000036	GREASER M6	
54	95023000001	BLADE CENTERING SPACER	
55	00777230019	OR RING D=2.62 - Di101.28	
56	00111990117	BEARING PROTECTION 20X47X5	
57	95302100002	PTO SHAFT	
58	00111300044	SCREW TE UNI 5739	
59	00111550005	WASHER M10	

PG/SR

4WD



S/N
 → 0612005 ÷ 0707015 ←
 → 06401807 ÷ 07433107 ←

REF.08 - 00555501040

#

P/N

DESCRIPTION

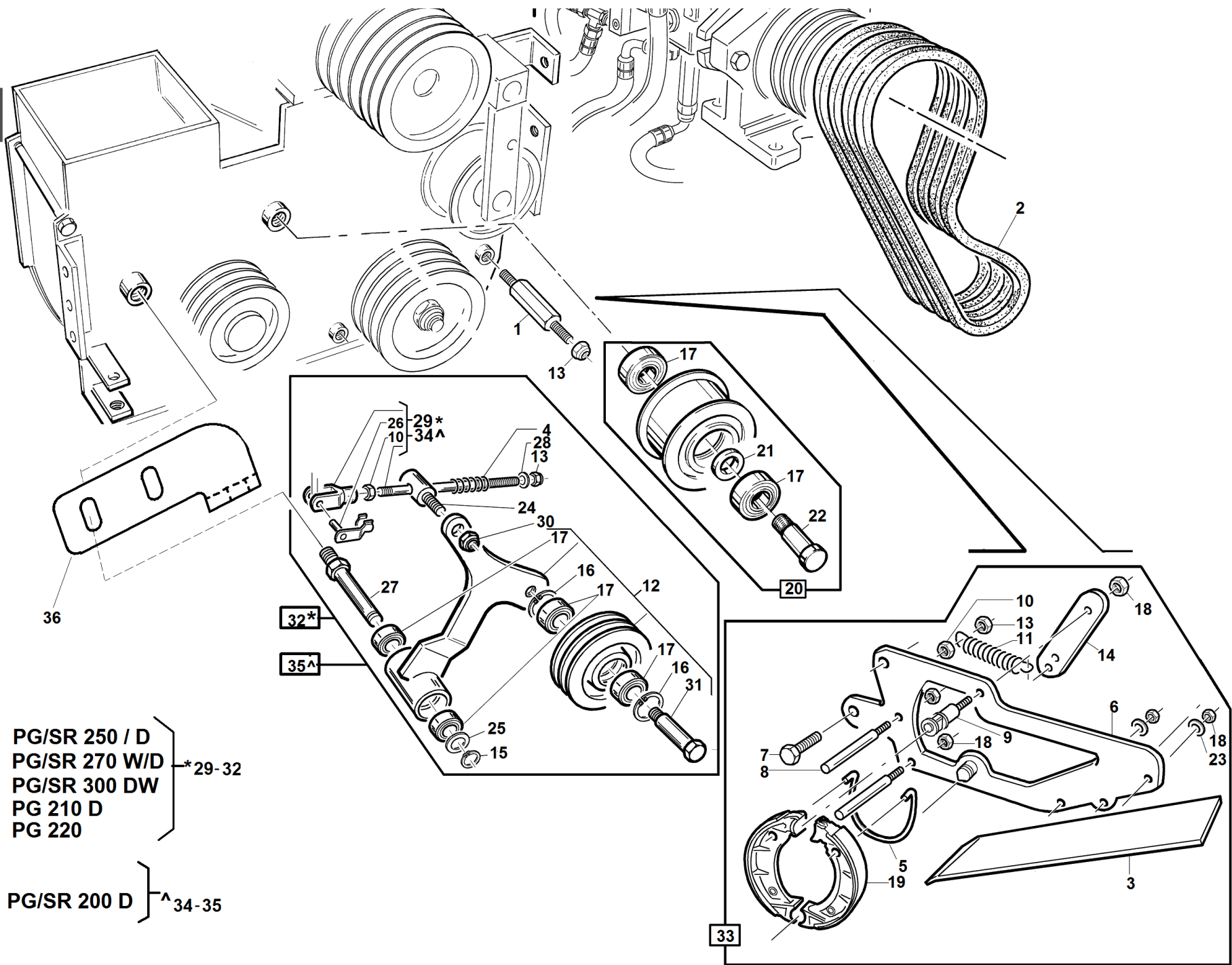
PG/SR

REF. 08 - 00555501040

1	00111000139	SNAP RING D.35 E	
2	00111650026	SNAP RING D.72 I	
3	00777100055	BEARING 6207 35X72X17	
4	95303000004	PUMP SHAFT	
5	00111900007	TONGUE A 6X6X40	
6	95401190000	PUMP SUPPORT	
7	PZ95049391200	TURBINE CIRCULA BAND D=300	
9	00777100054	BEARING 2205 25X52X18	
10	00111960002	GRUB M8X16	
11	00111650009	SNAP RING D.52 I	
12	00111650037	SNAP RING E X Ø25 UNI 7435	
13	00777250026	SEAL WASHER AS 25X52X10	
14	00111700006	PIN EL D.6X28	
15	95302101100	PDP TIGHTENER BELT LEVER	
16	95029000022	TRACTION DISC SPRING	
17	95302100009	PIN	
18	95001000060	BRASS BUSHING	
19	95049391600	PTO TIGHTENER BELT LEVER	
20	00111000155	NUT M6	
21	00111000061	WASHER 8.4X24X2	
22	95001000031	PTO CLUTCH SPRING	
23	95049000024	CHIMNEY WASHER	
24	00111250014	SELF BL. NUT M8	
25	00111300052	SCREW TE UNI 5739	
26	95302101400	SUPPORT TURBINE PLATE	
27	00777100005	KOYO BEARING 6202 2RS	
28	95599580000	STOP BELT PULLEY	
29	95029000023	SPACER 15,5x20x12,2	
30	95029000011	THREADED SHAFT M14X1,5	
31	00111250003	SELF BL. NUT M16	
32	95302100004	PTO PULLEY 4 RACES D=137	
33	00777100020	KOYO BEARING 6204 2RS	
34	00111000174	TONGUE A 6X6X30	
35	95302101600	ASSEMBLY PTO SUPPORT TUBE	
37	00111000057	SNAP RING D.20 E	
38	95302100007	TURBINE PULLEY 4 RACES	
39	95029100001	TURBINE D=240 HUB	
40	00111350012	SCREW TSPEI M8X18	
41	00111000076	SCREW TE M10X25	
42	00111250004	SELF BL. NUT M10	
43	95302100006	PULLEY 6 RACES	
44	00111250007	SELF BL. NUT M20X1.5	
45	00111000095	SELF BLO. NUT M8	
46	95302101500	TURBINE FRONTAL PLATE	
47	95001000066	PULLEY LOCK RING	
48	95302100008	TURBINE SHAFT	
49	PZ95049391300	TURBINE WHEEL D=300	
50	00111250003	SELF BL. NUT M16	
51	95301000019	TURBINE LOWER SUPPORT	
52	00111450001	SCREW WASHER M8X25	
53	00111000036	GREASER M6	
54	95023000001	BLADE CENTERING SPACER	
55	00777230019	OR RING D=2.62 - Di101.28	
56	00111990117	BEARING PROTECTION 20X47X5	
58	00111300044	SCREW TE UNI 5739	
59	00111550005	WASHER M10	

#	P/N	DESCRIPTION	PG/SR-W
1	00111000139	SNAP RING D.35 E	
2	00111650026	SNAP RING D.72 I	
3	00777100055	BEARING 6207 35X72X17	
4	95303000004	PUMP SHAFT	
5	00111900007	TONGUE A 6X6X40	
6	95401190000	PUMP SUPPORT	
7	PZ95049391200	TURBINE CIRCULA BAND D=300	
9	00777100054	BEARING 2205 25X52X18	
10	00111960002	GRUB M8X16	
11	00111650009	SNAP RING D.52 I	
12	00111650037	SNAP RING E X Ø25 UNI 7435	
13	00777250026	SEAL WASHER AS 25X52X10	
14	00111700006	PIN EL D.6X28	
15	95302101100	PDP TIGHTENER BELT LEVER	
16	95029000022	TRACTION DISC SPRING	
17	95302100009	PIN	
18	95001000060	BRASS BUSHING	
19	95049391600	PTO TIGHTENER BELT LEVER	
20	00111000155	NUT M6	
21	00111000061	WASHER 8.4X24X2	
22	95001000031	PTO CLUTCH SPRING	
23	95049000024	CHIMNEY WASHER	
24	00111250014	SELF BL. NUT M8	
25	00111300052	SCREW TE UNI 5739	
26	95302101400	SUPPORT TURBINE PLATE	
27	00777100005	KOYO BEARING 6202 2RS	
28	95599580000	STOP BELT PULLEY	
29	95029000023	SPACER 15,5x20x12,2	
30	95029000011	THREADED SHAFT M14X1,5	
31	00111250003	SELF BL. NUT M16	
32	95302100004	PTO PULLEY 4 RACES D=137	
33	00777100020	KOYO BEARING 6204 2RS	
34	00111000174	TONGUE A 6X6X30	
35	95302101600	ASSEMBLY PTO SUPPORT TUBE	
37	00111000057	SNAP RING D.20 E	
38	95302100007	TURBINE PULLEY 4 RACES	
39	95029100001	TURBINE D=240 HUB	
40	00111350012	SCREW TSPEI M8X18	
41	00111000076	SCREW TE M10X25	
42	00111250004	SELF BL. NUT M10	
43	95302100006	PULLEY 6 RACES	
44	00111250007	SELF BL. NUT M20X1.5	
45	00111000095	SELF BLO. NUT M8	
46	95302101500	TURBINE FRONTAL PLATE	
47	95001000066	PULLEY LOCK RING	
48	95302100008	TURBINE SHAFT	
49	PZ95049391300	TURBINE WHEEL D=300	
50	00111250003	SELF BL. NUT M16	
51	95301000019	TURBINE LOWER SUPPORT	
52	00111450001	SCREW WASHER M8X25	
53	00111000036	GREASER M6	
54	00111990117	BEARING PROTECTION 20X47X5	
55	00777230019	OR RING D=2.62 - Di101.28	
57	00111300044	SCREW TE UNI 5739	
58	00111550005	WASHER M10	

PG/SR



#

P/N

DESCRIPTION

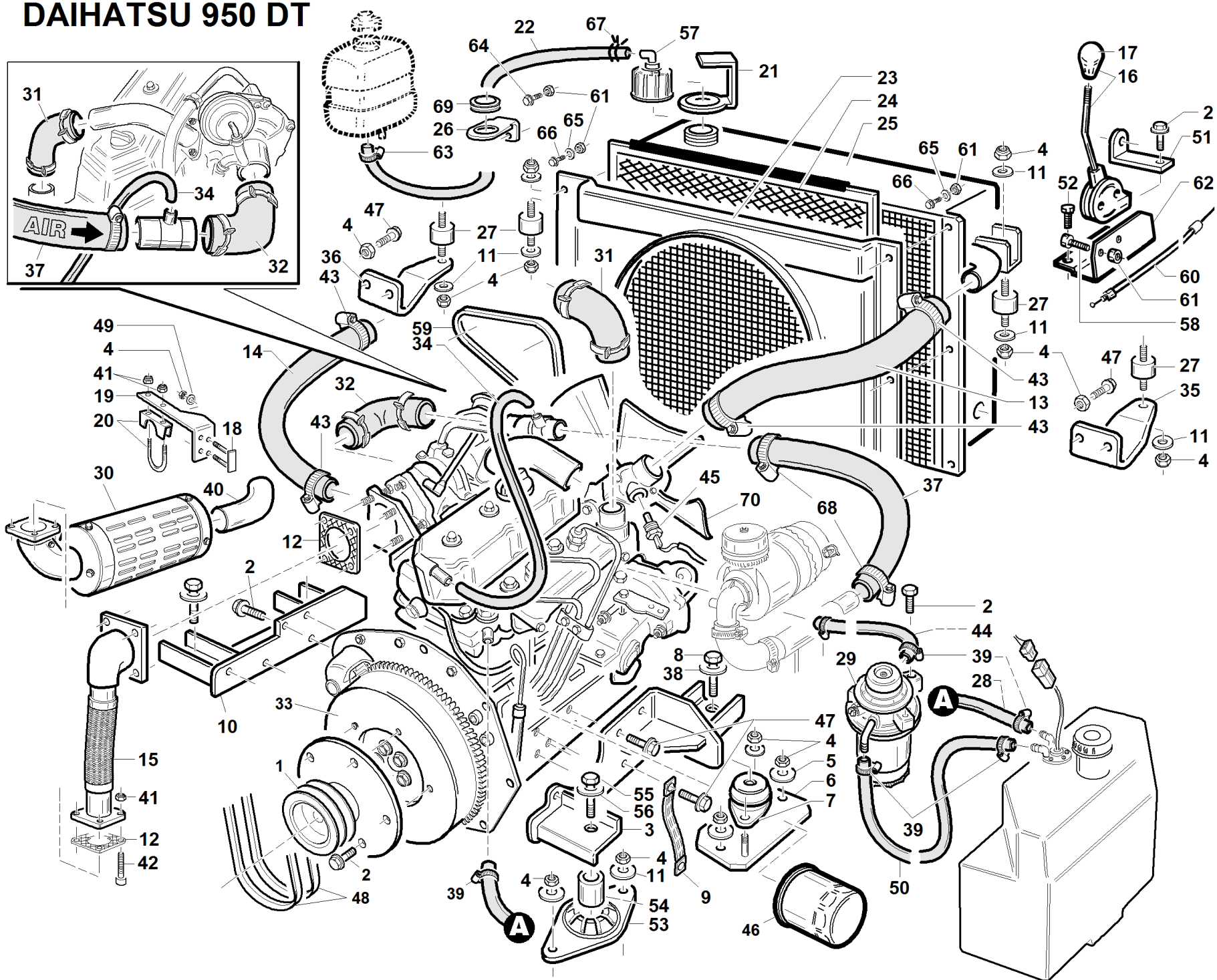
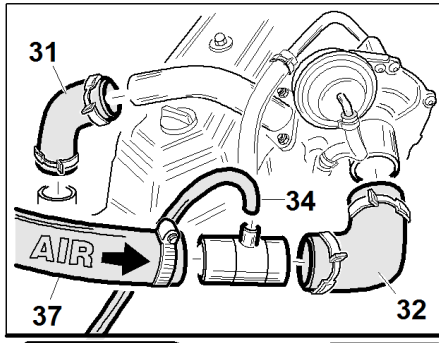
PG/SR

REF. 09 - 00555501010

1	95302100001	THREADED SPACER		
2	00111980006	BELT GATES POWERATED 6853		
3	95301220000	BELT STOP PLATE		
4	95201000006	BELTS ENGINE SPRING		
5	00111990112	SPRING FOR BRAKE		
6	95301210000	BRAKE SUPPORT		
7	00111000033	SCREW TE M8X30		
8	95301000014	BELT STOP PIN		
9	00111990113	BRAKE BLOCK NOSE		
10	00111000166	SELF LOCKING NUT M6 UNI 7473		
11	94500000103	BRAKE RECOVERY SPRING		
12	95302101300	ASSEMBLED ENGINE BELT TIGHTENER		
13	00111000071	SELF LOCKING NUT M8 UNI 7473		
14	95301000018	BRAKE LEVER		
15	00111650004	SNAP RING D.15 E		
16	00111650005	SNAP RING D.35 I		
17	00777100005	KOYO BEARING 6202 2RS		
18	00111000166	SELF LOCKING NUT M6 UNI 7473		
19	00111990111	COMPL. RUNNER		
20	95302101700	STOP BELT PULLEY		
21	95029000023	SPACER 15,5x20x12,2		
22	95029000012	THREADED SHAFT M14X1,5 LEFT		
23	00111000037	WASHER 6.6X18X2		
24	94010820000	SPRING TENSION DRILL ROD		
25	00111500004	WASHER 15,2X28X2.5 UNI 6592TE		
26	00111000194	FORKED PIN D.8		
27	95049390002	BELT-TIGHTENER ENGINE SHAFT		
28	00111000061	WASHER 8.4X24X2		
29	94500730000	LEVER STAFF BELT TIGHTENER		
30	00111000080	SELF LOCKING NUT M10 UNI 7474		
31	95049392101	THREATED SHAFT M14X1,5		
32	95599600000	PG ENGINE BELT TIGHTENER KIT		
33	95301330000	ASSEMBLED BLADE BRAKE		
34	95598120000	LEVER STAFF BELT TIGHTENER		
35	95599260000	PG KUBOTA ENGINE TIGHTENER KIT		
36	95301000003	TIGHTENER STAFF SUPPORT		

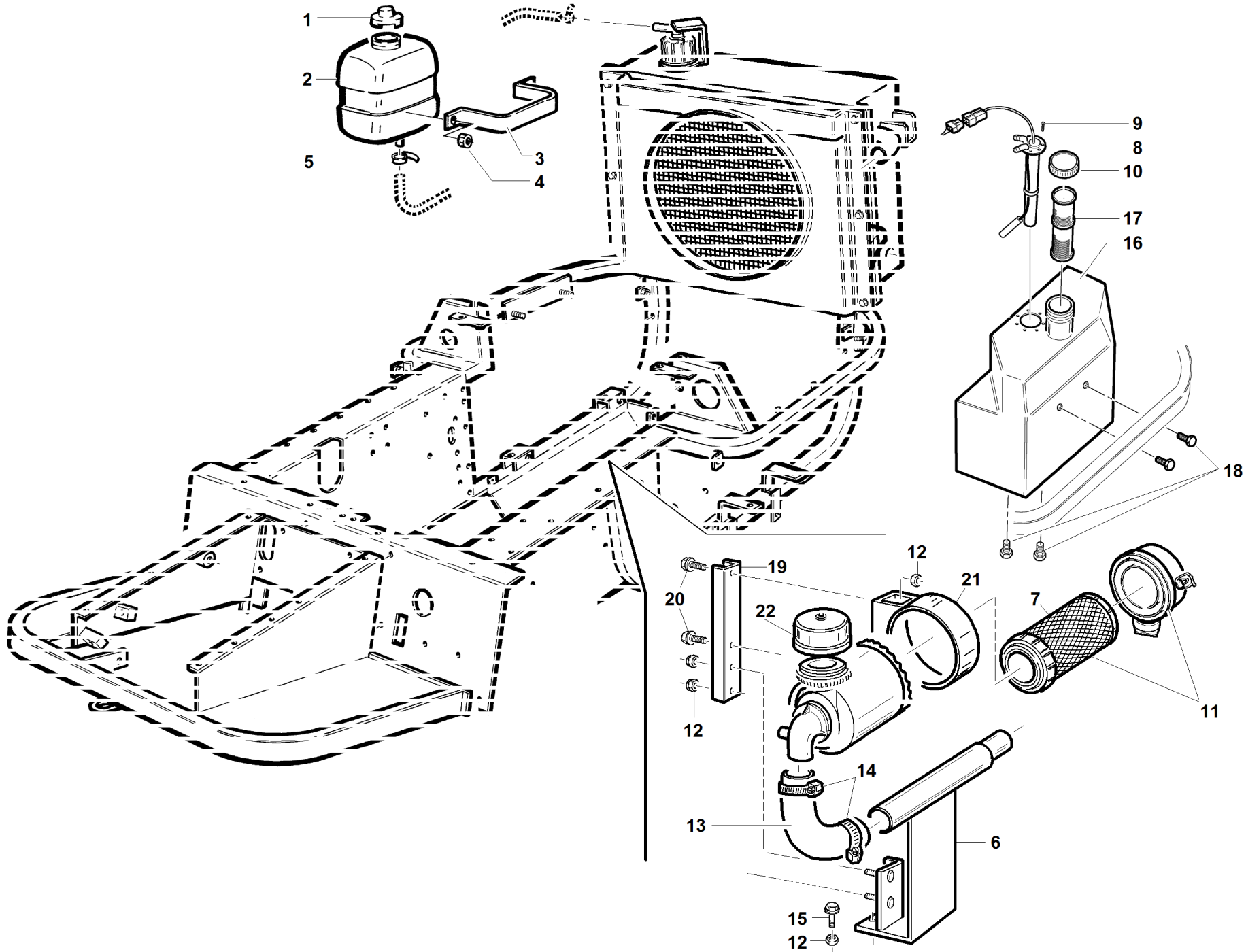
DAIHATSU 950 DT

PG/SR-W

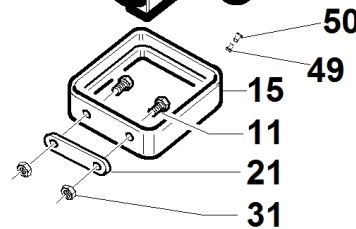
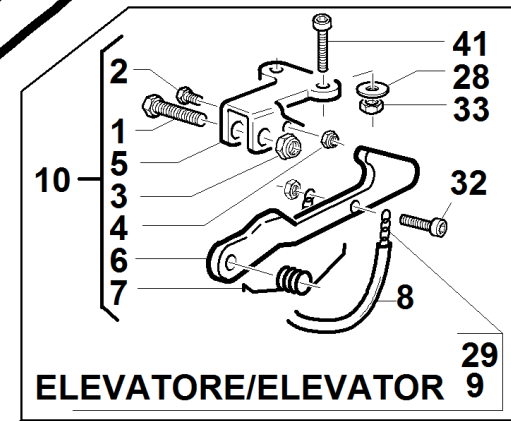
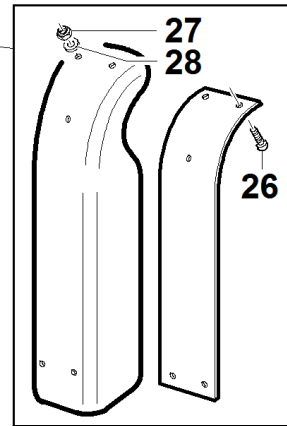
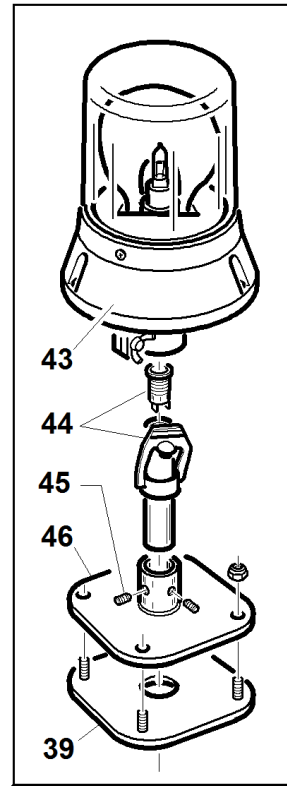
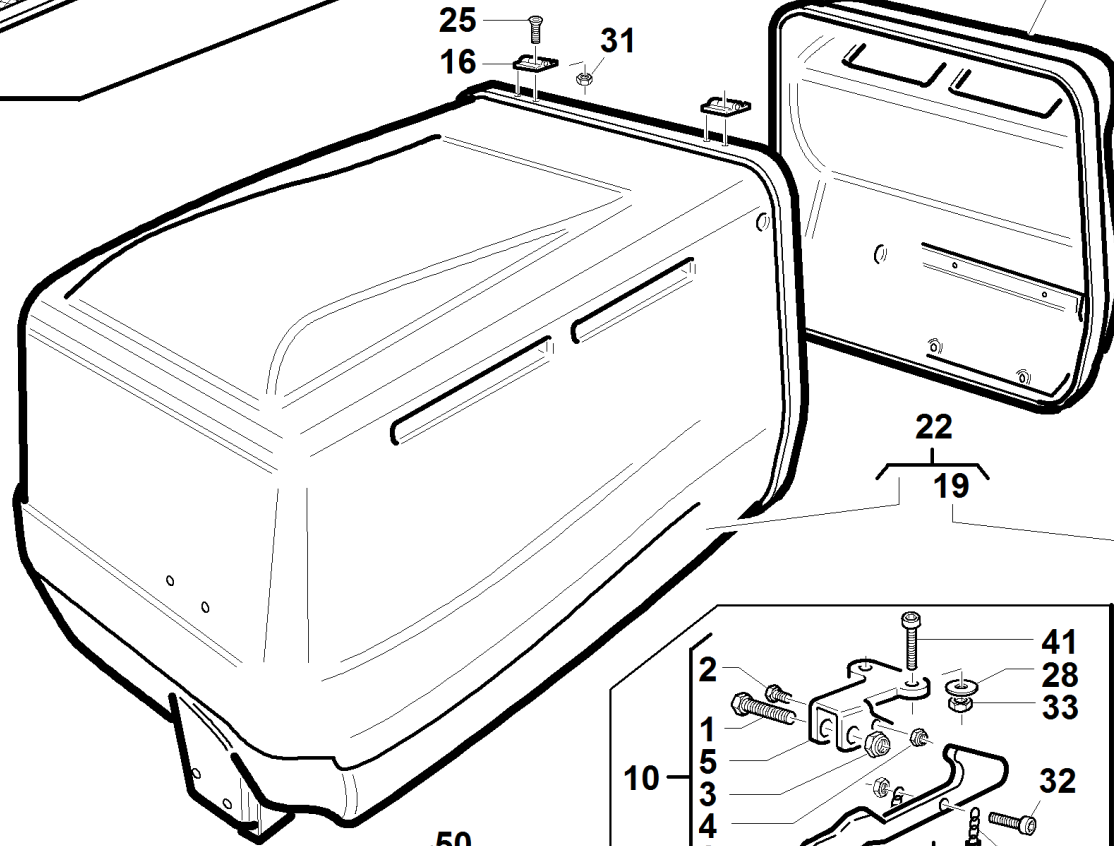
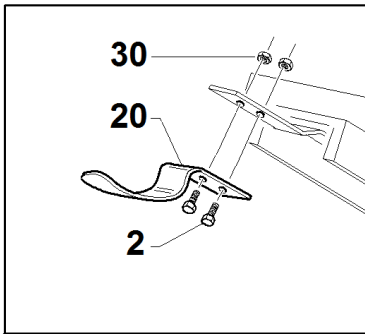
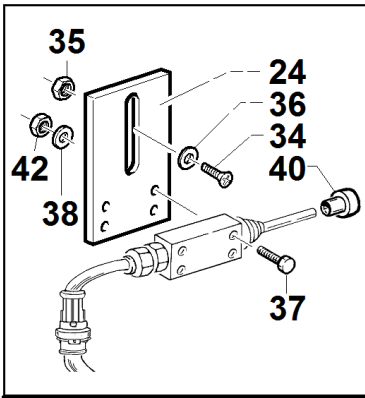
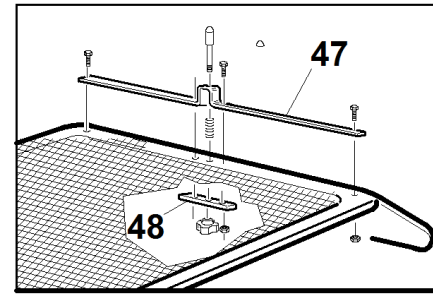
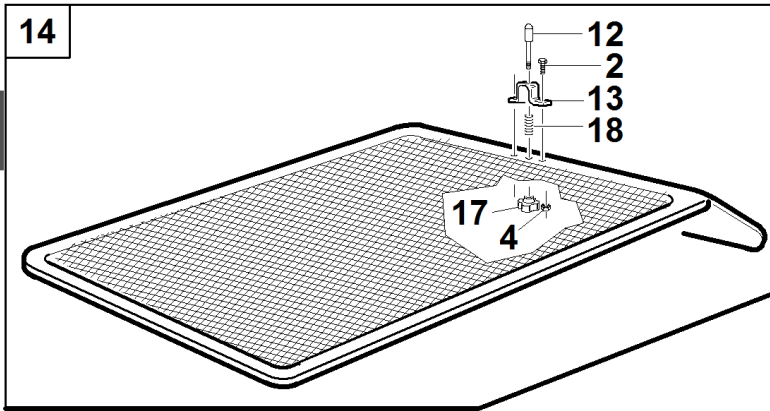


#	P/N	DESCRIPTION	PG/SR-W	REF. 10 - 00555501013
1	95304000003	DIESEL ENGINE PULLEY (DAIHATSU)		
2	00111450003	SCREW WASHER M8X20		
3	95304110000	LEFT DAIHATSU ENGINE SUPPORT		
4	00111000071	SELF BLO. NUT M8		
5	00111000132	WASHER P. 8,4X32X2,5 ZNT		
6	95124210000	SUPPORT PLATE		
7	00111970104	VIBRATION-DUMPING ENGINE		
8	00111300041	SCREW UNI 5739		
9	00777800052	WEIGHT PLATE mm.210		
10	95304100000	RIGHT DAIHATSU ENGINE SUPPORT		
11	00111000061	WASHER 8.4X24X2		
12	00111990114	MUFFLER COLLECTOR GASKET		
13	95304000007	RADIATOR OUT HOSE		
14	95304000006	RADIATOR INTAKE HOSE		
15	95304120000	EXHAUST COLLECTOR		
16	95049171000	DIESEL ACCELERATOR LEVER COMPL.		
17	00111990034	ROUND KNOB M8		
18	95124160000	MUFFLER FIXING PLATE		
19	95124000008	MUFFLER SUPPORT BRACKET		
20	00111810025	EXHAUST CLAMP D=42		
21	95304000012	RADIATOR PROTECTION CAP		
22	95124000017	WATER RECOVERY TANK PIPE		
23	95303000056	RADIATOR CONVEYOR		
24	95303210000	RADIATOR CLEANING GRID		
25	95303000020	RADIATOR OIL-WATER		
26	95303000063	WATER TUBE SUPPORT		
27	00111970119	VIBRATION-DAMPING STOPPER M8 H=20		
28	95304000010	DIESEL RECOVERY PIPE		
29	00777650061	DAIHATSU DIESEL FILTER		
30	95599000043	DAIHATSU EXHAUST		
31	95599000040	ASPIRATION SLEEVE		
32	95599000041	ASPIRATION SLEEVE		
33	00777700025	DAIHATSU 950DT ENGINE		
34	95599000039	ENGINE BREATHER HOSE		
35	95303000023	RADIATOR SX SUPPORT		
36	95303000022	RADIATOR DX SUPPORT		
37	95304000008	HOSE		
38	00111550003	ELASTIC WASHER M12		
39	00111810010	CLAMP 10-16 TYPE NORMA		
40	95304000004	DAIHATSU EXHAUST END		
41	00111250018	NUT "CONEKLOK" M8		
42	00111400022	ALLEN SCREW		
43	00111810033	CLAMP INOX 25-40		
44	95304000011	DIESEL FILTER/ENGINE TUBE		
45	00777800123	WATER TEMPERATURE SENSOR		
46	00777650062	DAIHATSU ENGINE OIL FILTER		
47	00111450001	SCREW WASHER M8X25		
48	95598530000	QUAD POWER III XPA932 BELTS KIT		
49	00111000037	WASHER 6.6X18X2		
50	95304000009	DIESEL TANK/FILTER TUBE		
51	PZ95514111301	PROTECTION CROWN SUPPORT		
52	00111000014	SCREW TSPEI M6X16		
53	00111970050	ENGINE VIBRATIONS-DUMPING BLOCK		
54	95124220001	SPACER D=25X8 L=27		
55	00111000031	SCREW TE M8X65		
56	00111000179	GROWER WASHER M8		
57	95599000042	RADIATOR CAP		
58	00111000059	FAKE SCREW/WASH. M8X14		
59	00111980033	DAIHATSU ALTERNATOR BELT		

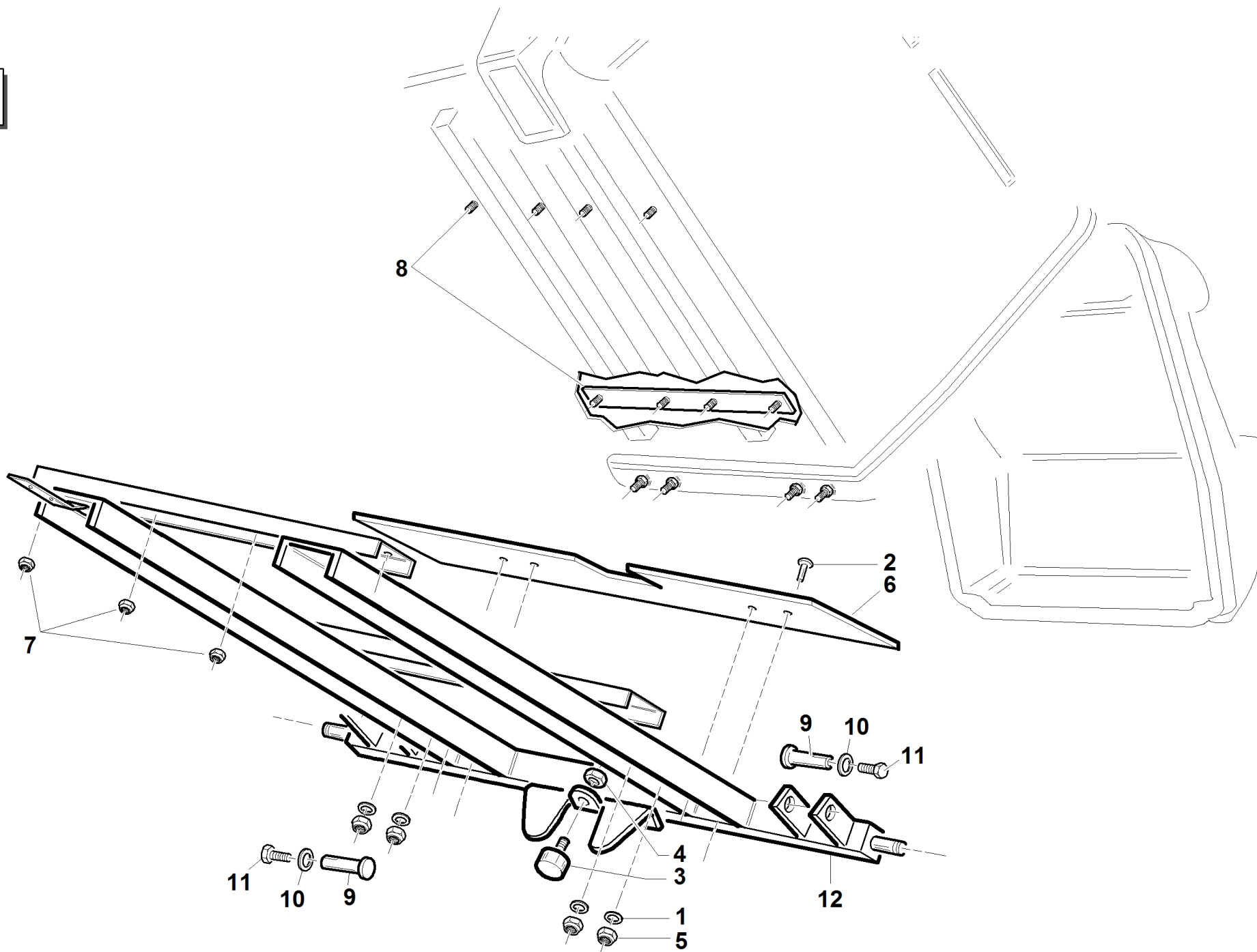
#	P/N	DESCRIPTION	PG/SR-W
60	95304000002	COMPLETE STARTER CABLE DAIHATSU	
61	00111000166	SELF BL. SCREW M6	
62	PZ95060000003	DIESEL ACCEL.SUPPORT	
63	00111810008	CLAMP 12-20 TYPE NORMA	
64	00111450005	SCREW/W M6X16	
65	00111500009	WASHER 6.4X12.5X1.6	
66	00111300011	SCREW TE M6X20	
67	00111810015	CLAMP	
68	00111810034	CLAMP INOX 32X50	
69	00111970185	CABLE HOLDER Øe20/22 - Øi15	
70	00111970194	FAN Ø310 DAIHATSU	



#	P/N	DESCRIPTION	PG/SR
1	00111970061	WATER TANK PLUG	
2	00111970060	TANK RECUP. WATER	
3	PZ95049000013	TANK FIXING CLAMP	
4	00111000166	SELF BL. SCREW M6	
5	00111810008	CLAMP 12-20 TYPE NORMA	
6	95301300000	ASPIRATION IRON TUBE	
7	00777650042	AIR FILTER CARTRIDGE	
8	00777800189	RESERVE GAUGE	
9	00111450017	SCREW FR M4X18	
10	00111970155	FILLERCAP WITH VALVE	
11	00777650057	DONALDSON AIR FILTER	
12	00111000071	SELF BLO. NUT M8	
13	95301000029	AIR FILTER HOSE	
14	00111810012	CLAMP 40-60 TYPE NORMA	
15	00111450003	SCREW WASHER M8X20	
16	95200000005	PG TANK	
17	00111970052	FUEL FILTER	
18	00111000059	FAKE SCREW/WASH. M8X14	
19	95301000028	FILTER SUPPORT	
20	00111450001	SCREW WASHER M8X25	
21	00777650043	BRACKET AIR FILTER SUPPORT	
22	00777650059	AIR PRE-FILTER	



#	P/N	DESCRIPTION	PG/SR
1	00111300043	SCREW TE UNI 5737 M10x45 8.8	
2	00111450005	SCREW/W M6X16	
3	00111250004	SELF BL. NUT M10	
4	00111000035	SELF BLOC. NUT M6	
5	95101000004	SUPPORT COLLECTOR HOOK	
6	95075000001	COVER CLOSING HOOK	
7	95101000005	SPRING COLLECTOR HOOK	
8	00111970137	PVC PIPE L=360	
9	95091000001	CHAIN TYPE N.14-28 LAPS	
10	95075110000	SHORT HOPPER CLOSING HOOK	
11	00111350027	SCREW TSPEI M5x25	
12	95140000002	THREADED PG HOPPER SHAFT M6	
13	95140000001	PIN FIXING PLATE	
14	95140000000	PG 4 WHEELS ROTATIONAL HOPPER GRID	
15	95075100005	COLLECTOR WASHER	
16	00111970136	METAL HING	
17	00111970014	KNOB M6	
18	94010000097	SPRING PR F.1-8.5-40-11 TDM INOX	
19	95599500000	ROTATIONAL COLLECTOR CHIMNEY	
20	95125000006	MICRO SPRING	
21	95208000002	HOPPER GASKET SUPPORT	
22	95208120000	ASSEMBLED PG HOPPER	
23	95208130000	COVER COLLECTOR	
24	95002000010	SUPPORT STOP	
25	00111350011	SCREW TSPEI M5X20	
26	00111450011	SCREW FR M 4 X12	
27	00111250020	SELF BL.NUT M4	
28	00111500005	WASHER 5.5X15X1.6	
29	95206000001	CHAIN L=590	
30	00111000166	SELF BL. SCREW M6	
31	00111250012	SELF BL. NUT METB 5MA	
32	00111400029	SCREW UNI 5931	
33	00111000183	SELF BL. NUT M5	
34	00111000001	SCREW M8X20	
35	00111000095	SELF BLO. NUT M8	
36	00111000082	NUT M8	
37	00111350031	SCREW TSPEI M4X35	
38	00111500010	WASHER 4.3X9X0.8	
39	PZ95113110000	LAMP PLATE	
40	00111970042	FEMALE KNOB THB20M4	
41	00111400008	ALLEN SCREW M5X20	
42	00111250006	SELF BL. NUT M4	
43	00777801400	ROTATING LAMP	
44	00777801500	LAMP COUPLING	
45	00111960003	GRUB M6X10	
46	PZ95113100000	LAMP SUPPORT	
47	95140000003	PIN SUPPORT GUIDE	
48	95140000004	PIN FIXING BRACKET	
49	00111800014	RIVET HEAD	
50	00111800015	BOSS	



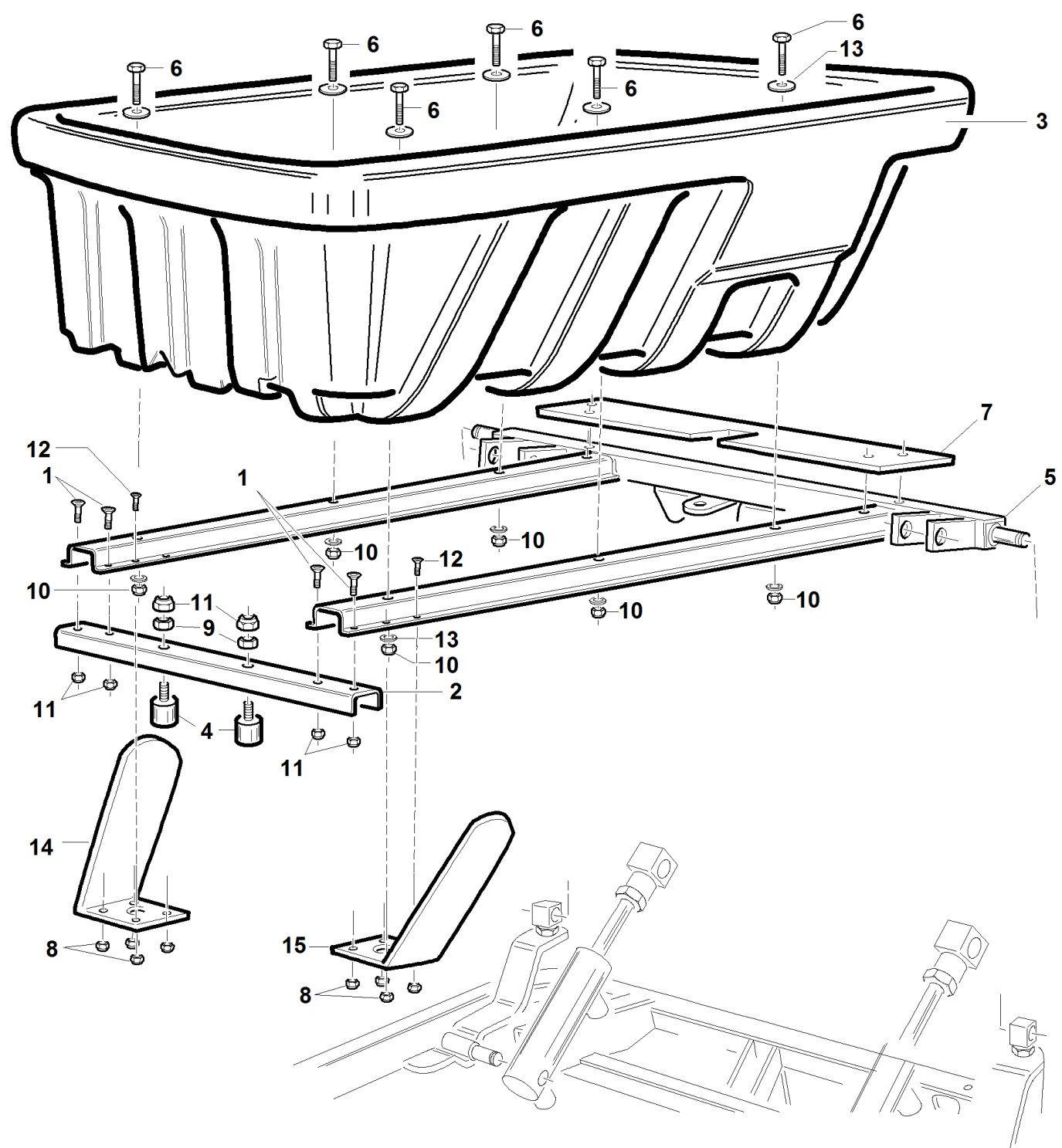
#

P/N

DESCRIPTION

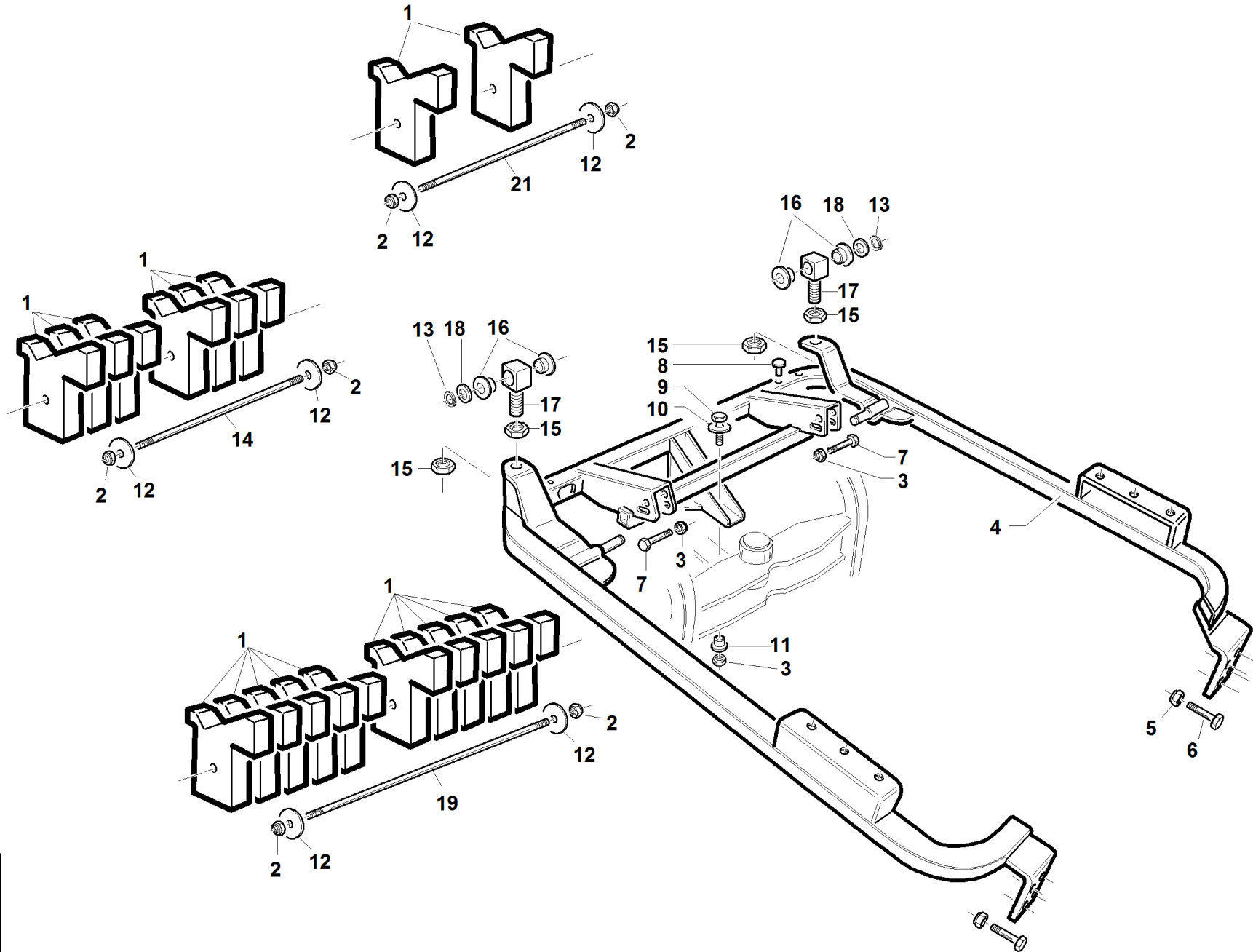
PG/SR

1	00111000087	WASHER P.8,4X15.6X1,5	
2	00111800004	RIVET D.4.8X16X20	
3	00111970005	VIBRATION-DAMPING STOPPER M10	
4	00111250004	SELF BL. NUT M10	
5	00111000095	SELF BLO. NUT M8	
6	95205000002	HOPPER PROTECTION PLATE	
7	00111250010	SELF BL. NUT M5	
8	95208200000	HOPPER REINFORCEMENT PLATE	
9	94010000060	CYLINDER FIXING PIN	
10	00111000061	WASHER 8.4X24X2	
11	00111000081	SCREW TE M8X16	
12	95208150000	HOPPER SUPPORT	



#	P/N	DESCRIPTION	SR
1	00111000186	SCREW TSPEI M8X20	
2	95207000002	HLAF-COLLECTOR CROSS SUPPORT	
3	95170100000	ROTATIONAL TRAY	
4	00111970096	CYL. VIBRATION - DUMPING 30X38 M8X23/10	
5	95207150000	LOADING TRY SUPPORT	
6	00111300067	SCREW	
7	95125000007	HOPPER GUARD PLATE	
8	00111000166	SELF BL. SCREW M6	
9	00111000082	NUT M8	
10	00111000071	SELF BLO. NUT M8	
11	00111000095	SELF BLO. NUT M8	
12	00111350023	SCREW TSPEI M6X20	
13	00111000132	WASHER P. 8,4X32X2,5 ZNT	
14	95207000005	RIGHT LOADING TRY SUPPORT	
15	95207000006	LEFT LAODING TRY SUPPORT	

PG-SR



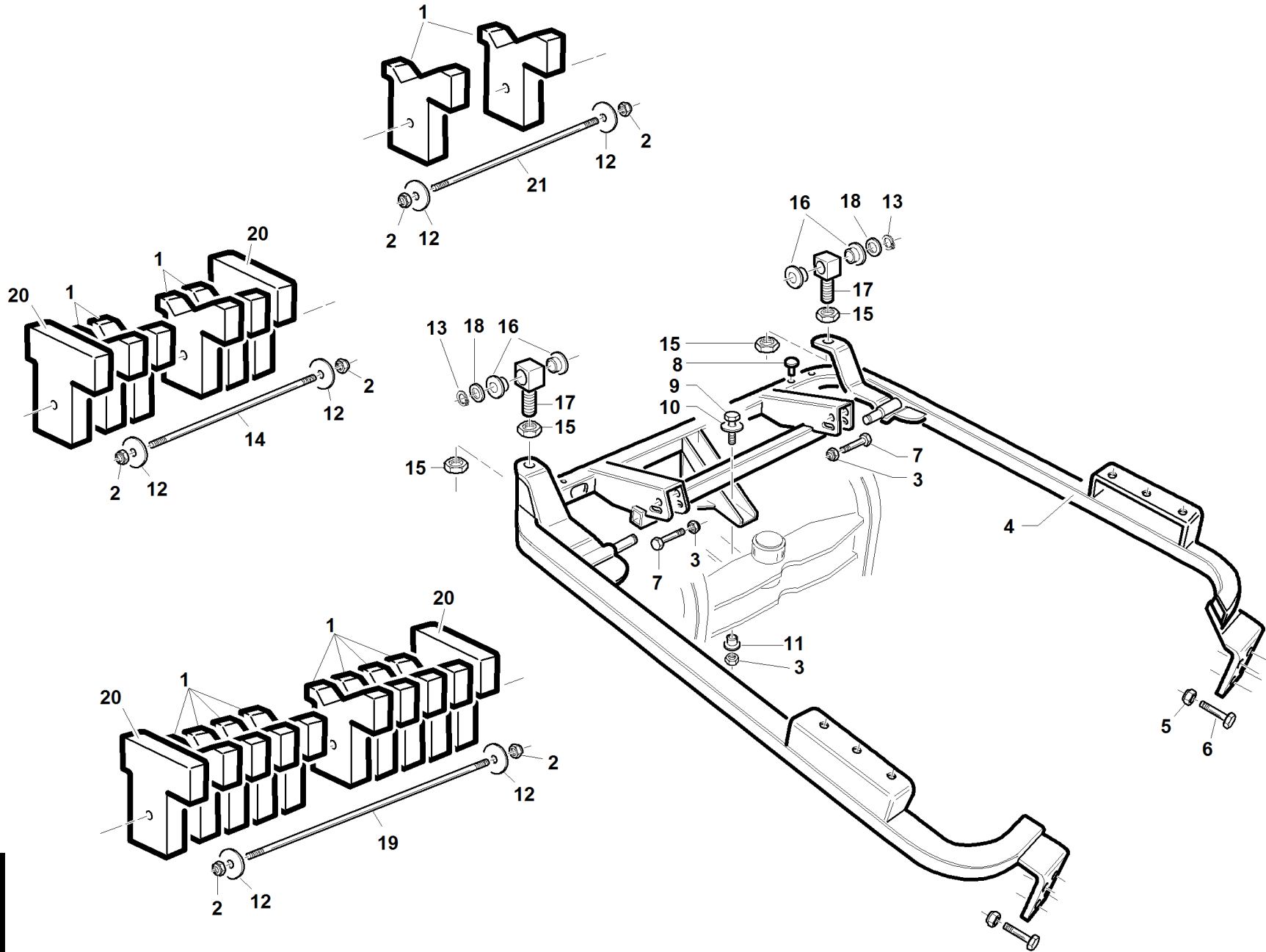
S/N

→ **0610034**

→ **06410710**

REF. 15 - 00555501039

#	P/N	DESCRIPTION	PG-SR
1	95049000037	PG REAR BALLAST	
2	00111000071	SELF BLO. NUT M8	
3	00111250008	SELF BL. NUT M12	
4	95062130000	FRAME COMPLETE	
5	00111250004	SELF BL. NUT M10	
6	00111300018	SCREW TE M10X35	
7	00111300010	SCREW TE M12X70	
8	00111970168	CLOSER PLUG	
9	00111000024	SCREW TE UNI 5739	
10	00111500003	WASHER 12X36X3	
11	95006000015	BLADE BUSHING	
12	00111000132	WASHER P. 8,4X32X2,5 ZNT	
13	00111000057	SNAP RING D.20 E	
14	95139000003	BALLAST BAR L=270	
15	00111150011	NUT 5589 M20X1.5	
16	00111990017	BUSHING WITH EDGE TFF 20/16,5	
17	94013000015	BUSHING M20X1.5	
18	00111500011	WASHER 20X30X2	
19	95153000002	BALLAST BAR L=420	
21	95303000064	BALLAST BAR	



S/N

→ **0603001 ÷ 0610033** ←

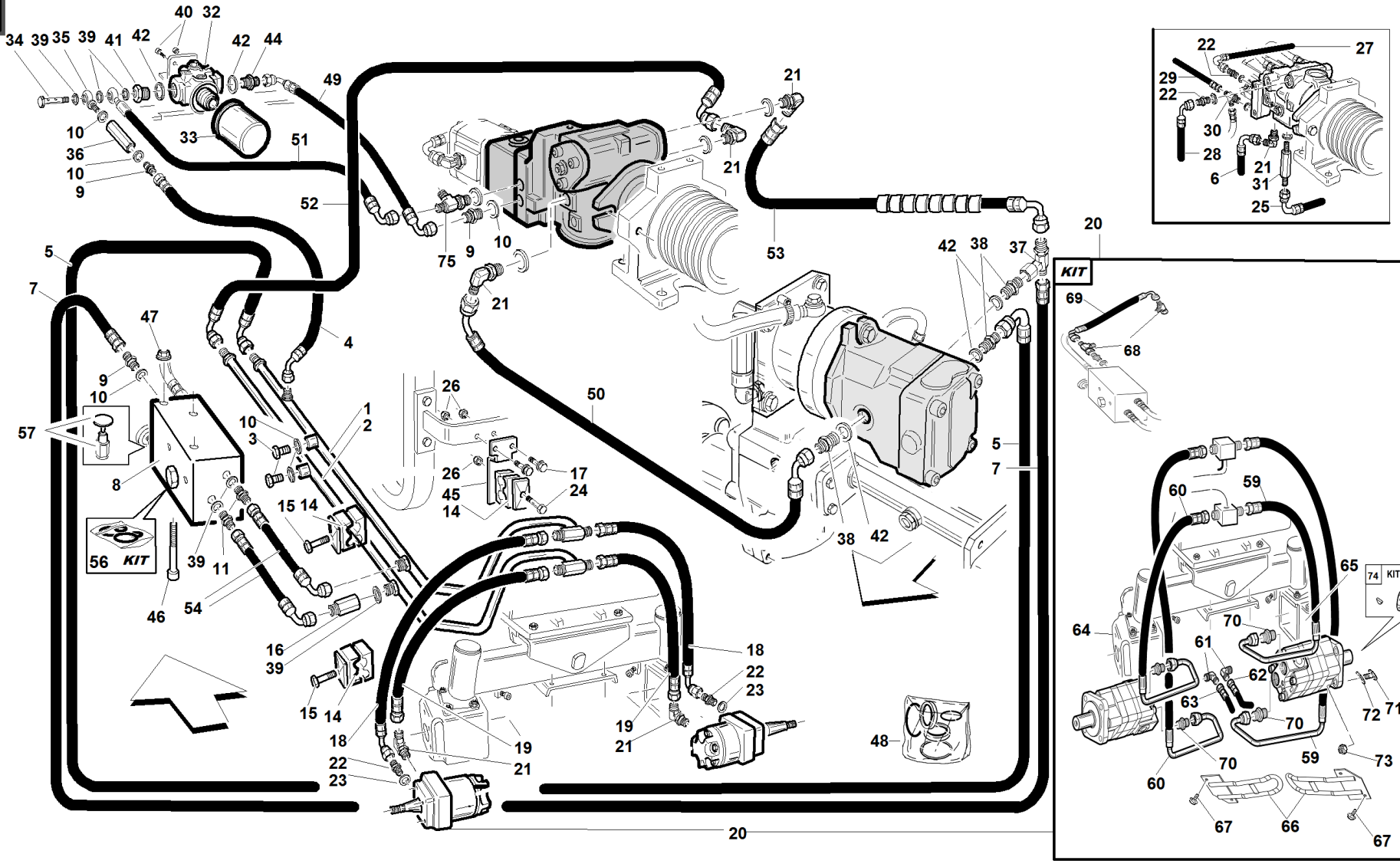
→ **06401807 ÷ 06410709** ←

REF. 15 - 00555501018

#	P/N	DESCRIPTION	PG-SR
---	-----	-------------	-------

1	95049000037	PG REAR BALLAST	
2	00111000071	SELF BLO. NUT M8	
3	00111250008	SELF BL. NUT M12	
4	95062130000	FRAME COMPLETE	
5	00111250004	SELF BL. NUT M10	
6	00111300018	SCREW TE M10X35	
7	00111300010	SCREW TE M12X70	
8	00111970168	CLOSER PLUG	
9	00111000024	SCREW TE UNI 5739	
10	00111500003	WASHER 12X36X3	
11	95006000015	BLADE BUSHING	
12	00111000132	WASHER P. 8,4X32X2,5 ZNT	
13	00111000057	SNAP RING D.20 E	
14	95139000003	BALLAST BAR L=270	
15	00111150011	NUT 5589 M20X1.5	
16	00111990017	BUSHING WITH EDGE TFF 20/16,5	
17	94013000015	BUSHING M20X1.5	
18	00111500011	WASHER 20X30X2	
19	95153000002	BALLAST BAR L=420	
20	95207000003	PG REAR BALLAST 8.6 KG	
21	95303000064	BALLAST BAR	

PG-SR - W



#	P/N	DESCRIPTION	PG-SR - W	REF. 16-00555501019
1	95303000050	MIDDLE TUBE		
2	95303000051	DIESEL RECOVERY PIPE		
3	00777600050	PLUG 1/4		
4	95303000035	HOSE		
5	95303000046	HOSE		
6	95303000045	HOSE		
7	95303000032	HOSE		
8	95303000026	VALVE BLOCK		
9	00777600043	NIPPLE 1/4 X 1/4		
10	00777600001	WASHER COPPER 1/4		
11	00777600015	NIPPLE 3/8		
14	00111990109	PLASTIC COLLAR		
15	00111300015	SCREW TE M8X55		
16	00777600140	LITTLE COLUMN 3/8		
17	00111450001	SCREW WASHER M8X25		
18	95303000044	HOSE		
19	95303000043	HOSE		
20	95598880000	PG REAR WHEELS MOTORS KIT		
21	00777600124	ADAPTER 90° M/M 1/2 ADJUSTABLE		
22	00777600125	NIPPLE 1/2 - 1/2		
23	00777600128	WASHER 1/2		
24	00111300027	HEX SOCKET HEAD CAP SCREW M8X60 UNI 5737		
25	95303000047	HOSE		
26	00111000071	SELF LOCKING NUT M8 UNI 7473		
27	95303000036	HOSE		
28	95303000049	HOSE		
29	95303000037	HOSE		
30	00777600136	EYE CONNECTOR 3/8		
31	00777600126	LITTLE COLUMN 1/2		
32	95303000021	FILTER TOP		
33	00777650060	FILTER FOR HIGH PRESSURE		
34	00777600133	DOUBLE CABLE BOLT		
35	00777600141	METAL EYELET 3/8		
36	00777600123	NO RETURN VALVE		
37	00777600137	ADAPTER 1/2 ROTATING		
38	00777600130	NIPPLE 3/4-1/2		
39	00777600003	WASHER COPPER 3/8		
40	00111000067	ALLEN SCREW M10X20		
41	00777600132	REDUCING PLUG M3/4		
42	00777600131	WASHER 3/4		
44	00777600135	NIPPLE 3/4-3/8		
45	95303000008	SUPPORT		
46	00111400043	SCREW TCEI M8X85 8.8		
47	00111250021	8MA METB NUT		
48	95599680000	MOTOR OIL SEALS KIT		
49	95303000070	HOSE 3/8 1SN F90°3/8-F90°1/4 L=400 180°		
50	95303000071	HOSE 5/8 1SN F90°1/2-F45°1/2 L=500 315°		
51	95303000069	HOSE 3/8 1SN OC3/8-F90°3/8 L=350 0°		
52	95303000073	HOSE 5/8 2SN F90°1/2-F90°1/2 L=570 270°		
53	95303000066	HOSE 5/8 2SN F90°1/2-F1/2 L=560		
54	95303000029	HOSE		
56	95598590000	VALVE HTC 4WD GASKET KIT		
57	95599000092	VALVE MCD 28/2202-PBFB		
59	95409100006	ORBITAL TUBE		
60	95409100007	LEFT ORBITAL PIPE		
61	00777600204	ADAPTER ADJUSTABLE 90° 1/4BSP-7/16 UNF		
62	95409100009	PIPE		
63	95409100010	PIPE		
64	95409160000	LEFT ORBITAL SUPPORT		

#

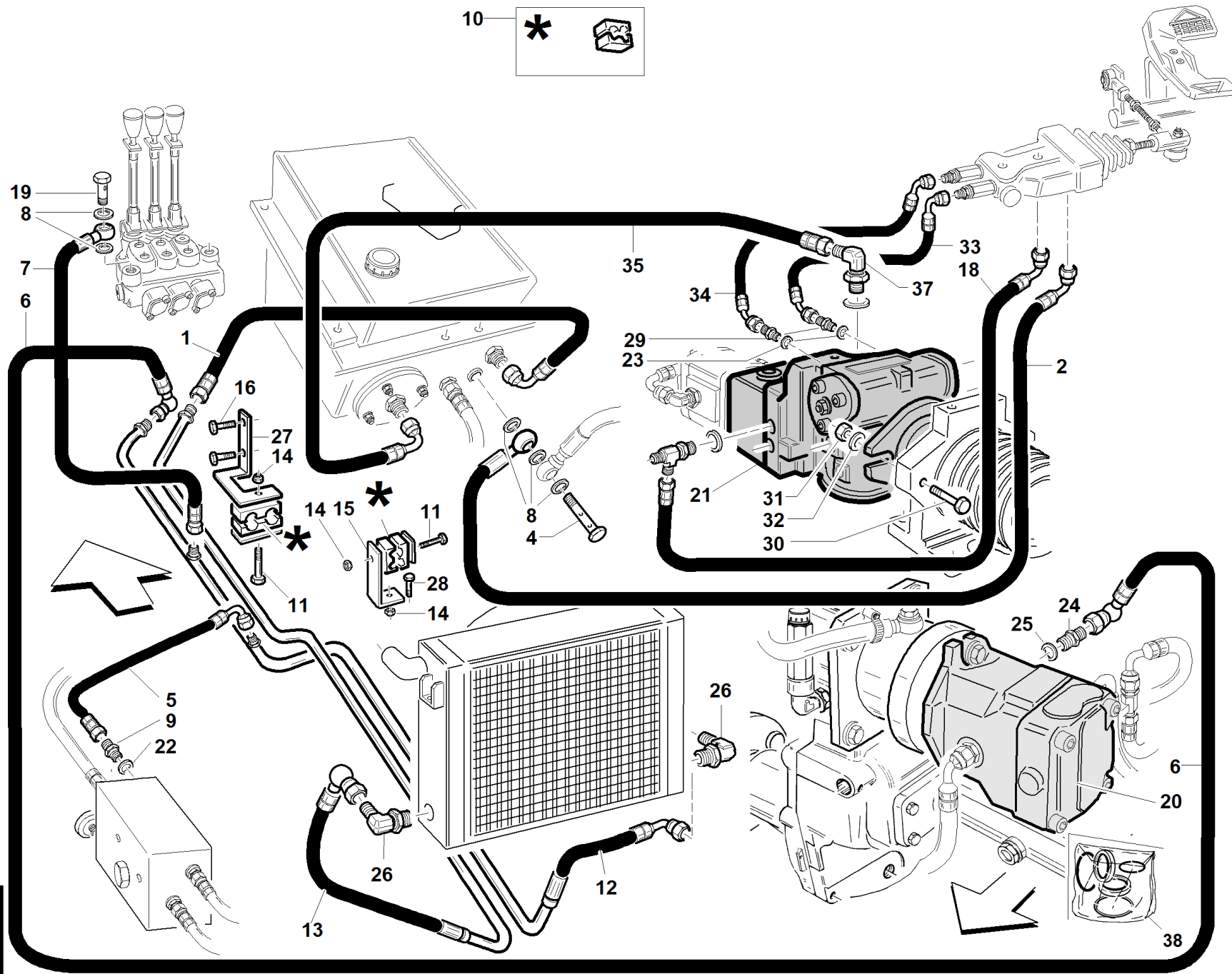
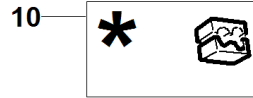
P/N

DESCRIPTION

PG-SR - W

REF. 16-00555501019

65	95409170000	RIGHT ORBITAL SUPPORT		
66	95409200000	REAR WHEEL MOTOR PROTECTION		
67	00111450001	SCREW WASHER M8X25		
68	00777600198	ADAPTER M3/8		
69	95409100008	PIPE		
70	00777600203	"CONNECTOR 1/2 BSP 1""1/16 UNF"		
71	00111000042	SCREW		
72	00111000105	WASHER P.13X24X2,5 UNI 6592		
73	00111250008	SELF LOCKING NUT M12 UNI 7473		
74	95598840000			
75	00777600152	ASSEMBLED UNION ELBOW 1/4-3/8-3/8		

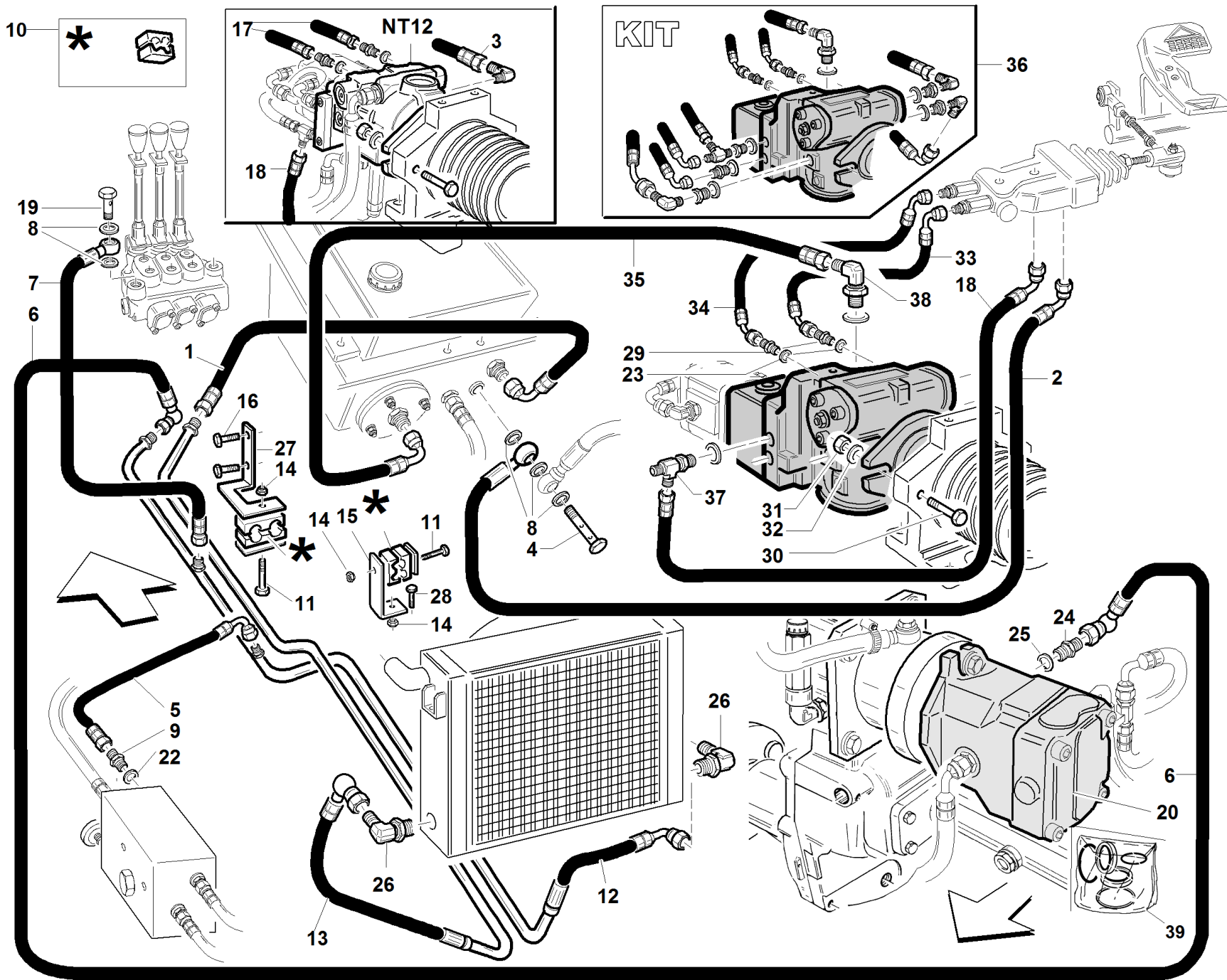


S/N
→ **0706003**

REF. 17 - 00555501042

#	P/N	DESCRIPTION	PG-SR - W
1	95303000077	TUBE 3/4	
2	95303000039	HOSE	
4	00777600133	DOUBLE CABLE BOLT	
5	95303000031	HOSE	
6	95303000042	HOSE	
7	95303000055	HOSE	
8	00777600003	WASHER COPPER 3/8	
9	00777600043	NIPPLE 1/4 X 1/4	
10	00111990110	PLASTIC COLLAR Ø22	
11	00111300027	SCREW TE M8X60 ZNT	
12	95303000053	RADIATOR IN TUBE	
13	95303000076		
14	00111000071	SELF BLO. NUT M8	
15	95303000028	COLLAR SUPPORT	
16	00111000103	SCREW TE M10X30	
18	95303000038	HOSE	
19	00777600041	EMPTY SCREW 3/8	
20	95303000017	HYDRAULIC ENGINE	
21	95303000075	HP P2 PUMP	
22	00777600001	WASHER COPPER 1/4	
23	00777600045	WASHER COPPER 1/8	
24	00777600129	NIPPLE 3/4-3/4	
25	00777600131	WASHER 3/4	
26	00777600134	ADAPTER 90° M/M 3/4 ADJUSTABLE	
27	95303000054	COLLAR SUPPORT	
28	00111450015	SCREW M8x30	
29	00777600127	NIPPLE 1/8-1/4	
30	00111300076	SCREW	
31	00111250002	SELF BL. NUT M12	
32	00111500026	WASHER 13X28X5	
33	95303000068	HOSE 1/4 1SC F90°1/4-F45°1/8 L=1130 270°	
34	95303000067	HOSE 1/4 1SC F90°1/4-F45°1/8 L=1050 180	
35	95303000072	HOSE 3/4 1SN F90°3/4-F1/2 L=610	
37	00777600124	ADAPTER 90° M/M 1/2 ADJUSTABLE	
38	95598570000	KIT	

PG-SR - W

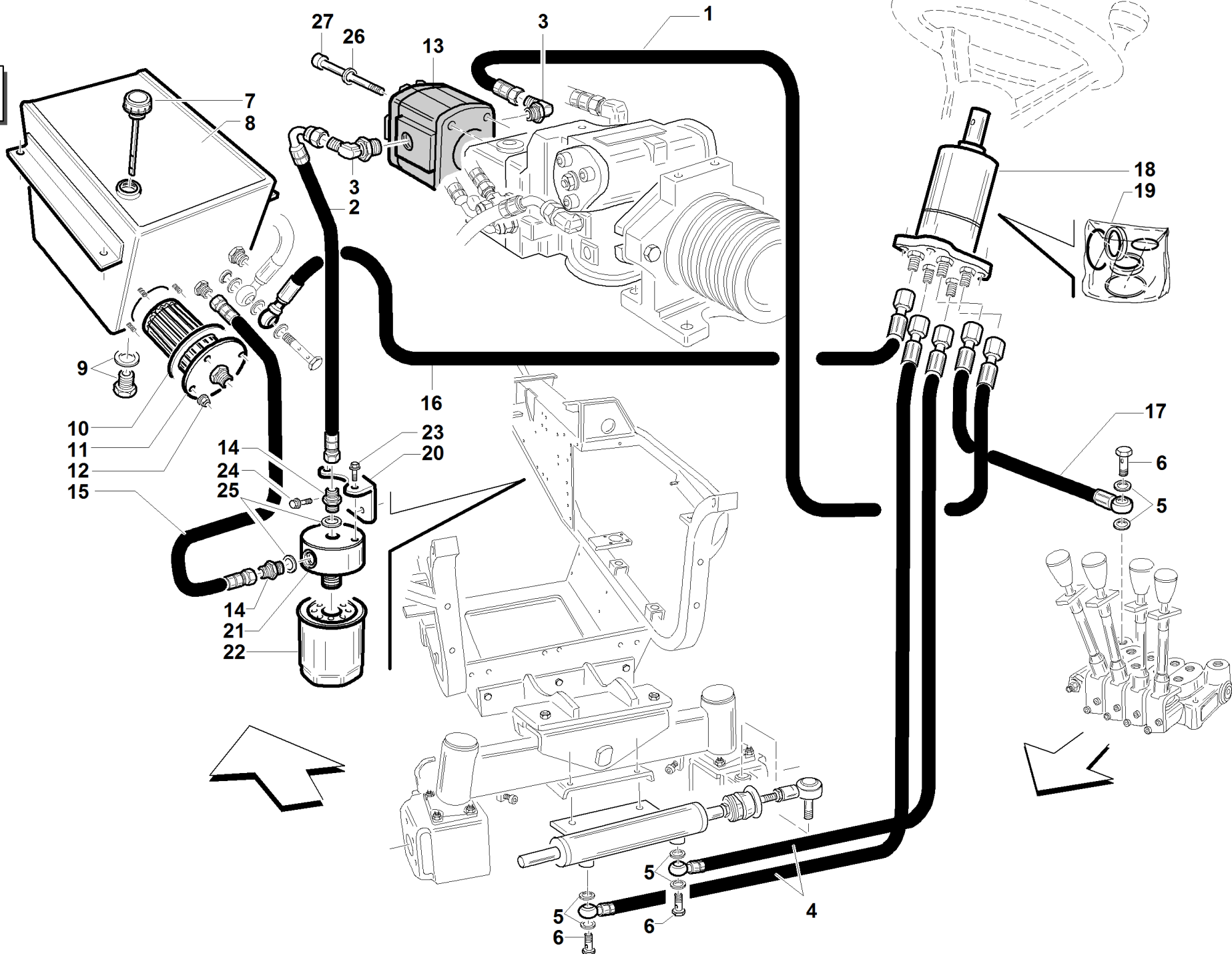


S/N
 → **0603001 ÷ 0706003** ←

REF.17 - 00555501020

#	P/N	DESCRIPTION	PG-SR - W
1	95303000041	HOSE	
2	95303000039	HOSE	
3	95303000048	HOSE	
4	00777600133	DOUBLE CABLE BOLT	
5	95303000031	HOSE	
6	95303000042	HOSE	
7	95303000055	HOSE	
8	00777600003	WASHER COPPER 3/8	
9	00777600043	NIPPLE 1/4 X 1/4	
10	00111990110	PLASTIC COLLAR Ø22	
11	00111300027	SCREW TE M8X60 ZNT	
12	95303000053	RADIATOR IN TUBE	
13	95303000052	RADIATOR OUT TUBE	
14	00111000071	SELF BLO. NUT M8	
15	95303000028	COLLAR SUPPORT	
16	00111000103	SCREW TE M10X30	
17	95303000040	HOSE	
18	95303000038	HOSE	
19	00777600041	EMPTY SCREW 3/8	
20	95303000017	HYDRAULIC ENGINE	
22	00777600001	WASHER COPPER 1/4	
23	00777600045	WASHER COPPER 1/8	
24	00777600129	NIPPLE 3/4-3/4	
25	00777600131	WASHER 3/4	
26	00777600134	ADAPTER 90° M/M 3/4 ADJUSTABLE	
27	95303000054	COLLAR SUPPORT	
28	00111450015	SCREW M8x30	
29	00777600127	NIPPLE 1/8-1/4	
30	00111300076	SCREW	
31	00111250002	SELF BL. NUT M12	
32	00111500026	WASHER 13X28X5	
33	95303000068	HOSE 1/4 1SC F90°1/4-F45°1/8 L=1130 270°	
34	95303000067	HOSE 1/4 1SC F90°1/4-F45°1/8 L=1050 180	
35	95303000072	HOSE 3/4 1SN F90°3/4-F1/2 L=610	
36	95598870000	PUMP KIT P2	
37	00777600136	EYE CONNECTOR 3/8	
38	00777600124	ADAPTER 90° M/M 1/2 ADJUSTABLE	
39	95598570000	KIT	

PG-SR - W



#

P/N

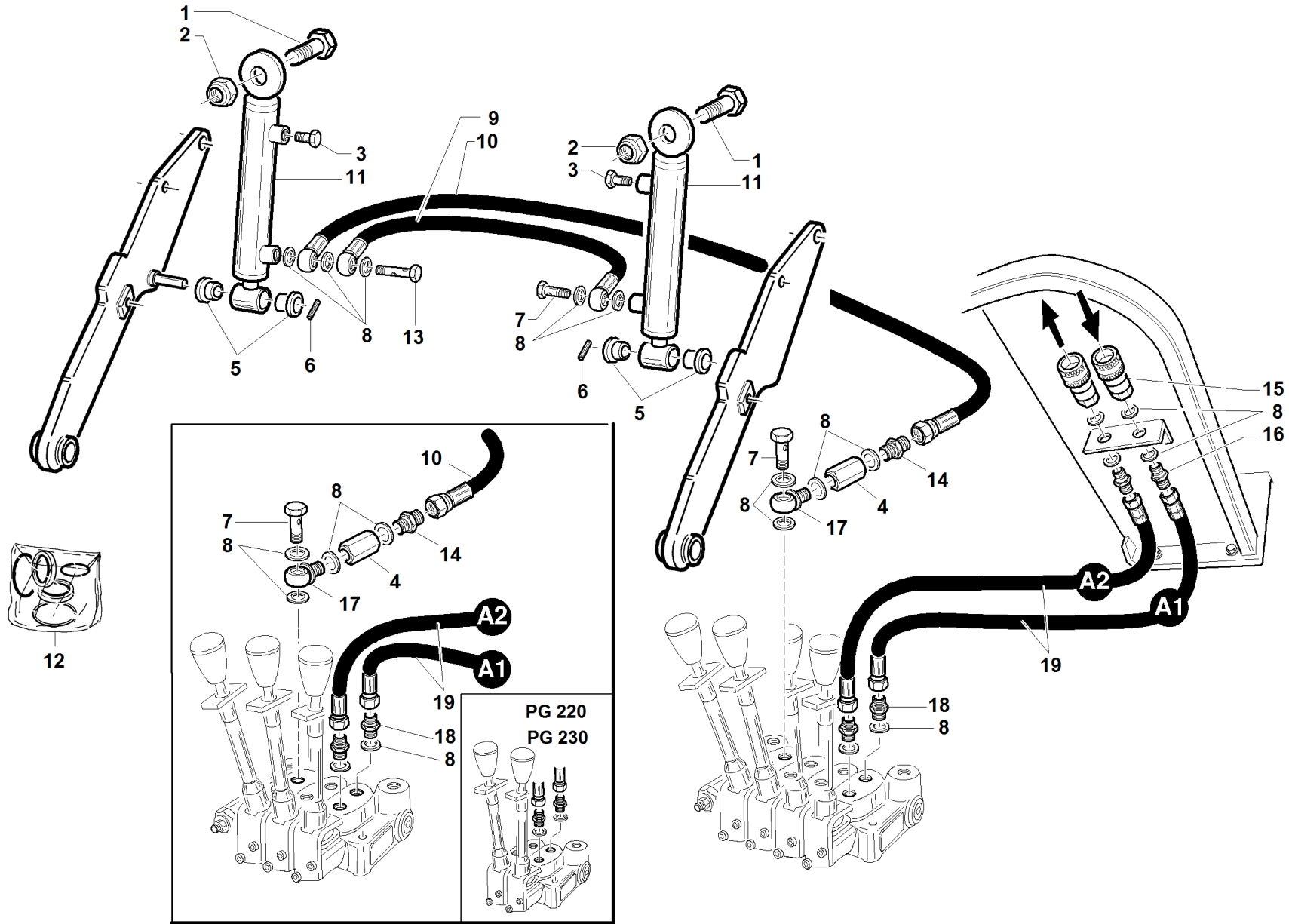
DESCRIPTION

PG-SR - W

REF. 18 - 00555501021

1	95301000025	HOSE		
2	95303000034	HOSE		
3	00777600115	MALE ELBOW 90° 3/8		
4	95301000022	HOSE		
5	00777600001	WASHER COPPER 1/4		
6	00777600040	SIMPLE CABLE BOLT		
7	00777600120	IN PRESSURE PLUG		
8	95303140000	OIL TANK		
9	00777600119	OIL DISCHARGING PLUG		
10	95303000012	FILTER WASHER		
11	95303100000	FILTER WITH FLANGE		
12	00111250021	8MA METB NUT		
13	95303000016	OIL PUMP		
14	00777600015	NIPPLE 3/8		
15	95303000033	HOSE		
16	95301000024	HOSE		
17	95301000023	HOSE		
18	95303000027	HYDRAULIC STEERING SERVOCONTROL		
19	95599620000	GASKET KIT		
20	95303000007	FILTER SUPPORT		
21	95303000057	FILTER TOP		
22	00777650058	OIL FILTER 25 MICRO		
23	00111450003	SCREW WASHER M8X20		
24	00111450001	SCREW WASHER M8X25		
25	00777600003	WASHER COPPER 3/8		
26	00111000087	WASHER P.8,4X15.6X1,5		
27	00111300020	SCREW TE M8X70		

PG-SR



S/N

→ **07421903**

→ **0703034**

REF. 19 - 00555501041

#

P/N

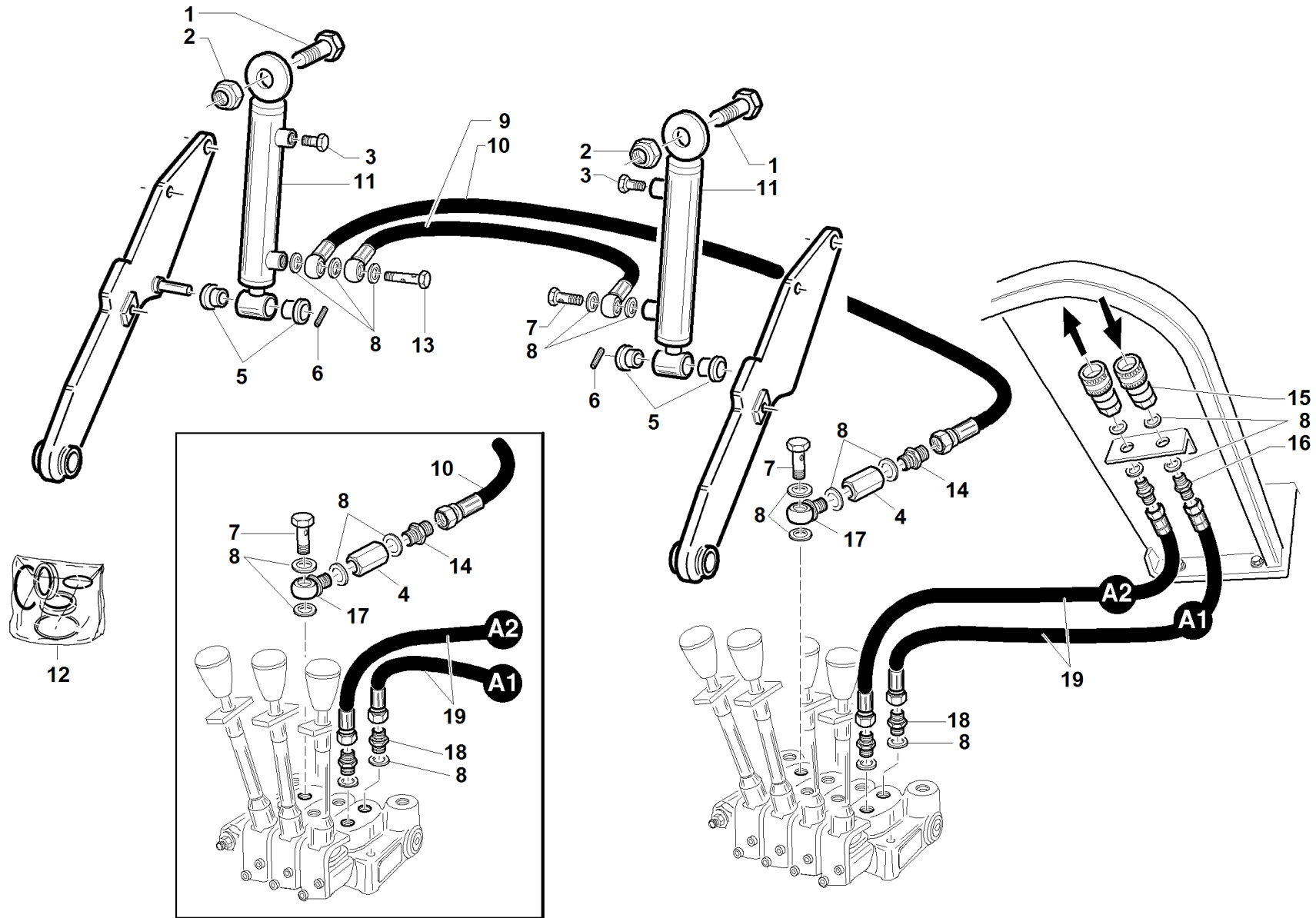
DESCRIPTION

PG-SR

REF. 19 - 00555501041

1	95060000001	FIXING SCREW CYLINDER	
2	00111250008	SELF BL. NUT M12	
3	00777600051	VENT PLUG	
4	00777600138	EXTENSION 1/4 L=35	
5	95001000060	BRASS BUSHING	
6	00111700006	PIN EL D.6X28	
7	00777600040	SIMPLE CABLE BOLT	
8	00777600001	WASHER COPPER 1/4	
9	00777600034	HOSE R1 1/4 L=460 OC1/4 OC1/4	
10	00777600114	HOSE	
11	95301350000	MOWERDECK LIFTING CYLINDER	
12	95060211000	CYLINDER GASKETS KIT IT1506	
13	00777600039	DOUBLE CABLE BOLT	
14	00777600122	NIPPLE 1/4 X 1/4 - 0,9 ORIFICE	
15	00777600102	FEMALE RAPID ATTACHMENT 1/4	
16	00777600100	EXTENSION M/M 1/4 L=35	
17	00777600108	"THREATED EYES 1/4 X 1/4"	
18	00777600043	NIPPLE 1/4 X 1/4	
19	95301000027	HOSE 1/4	

PG-SR



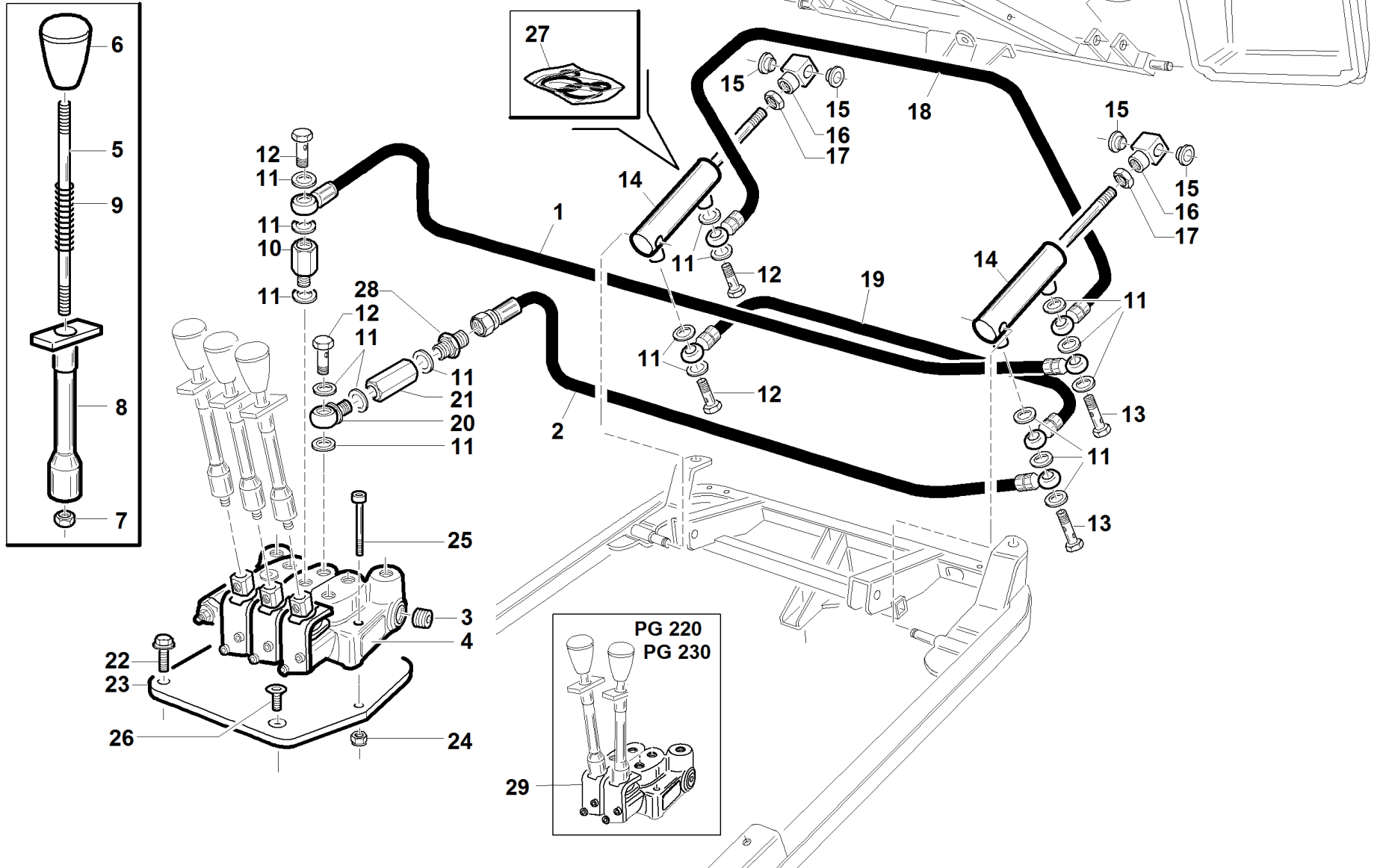
S/N

→ **06401807 ÷ 07421803** ←

→ **0603001 ÷ 0703033** ←

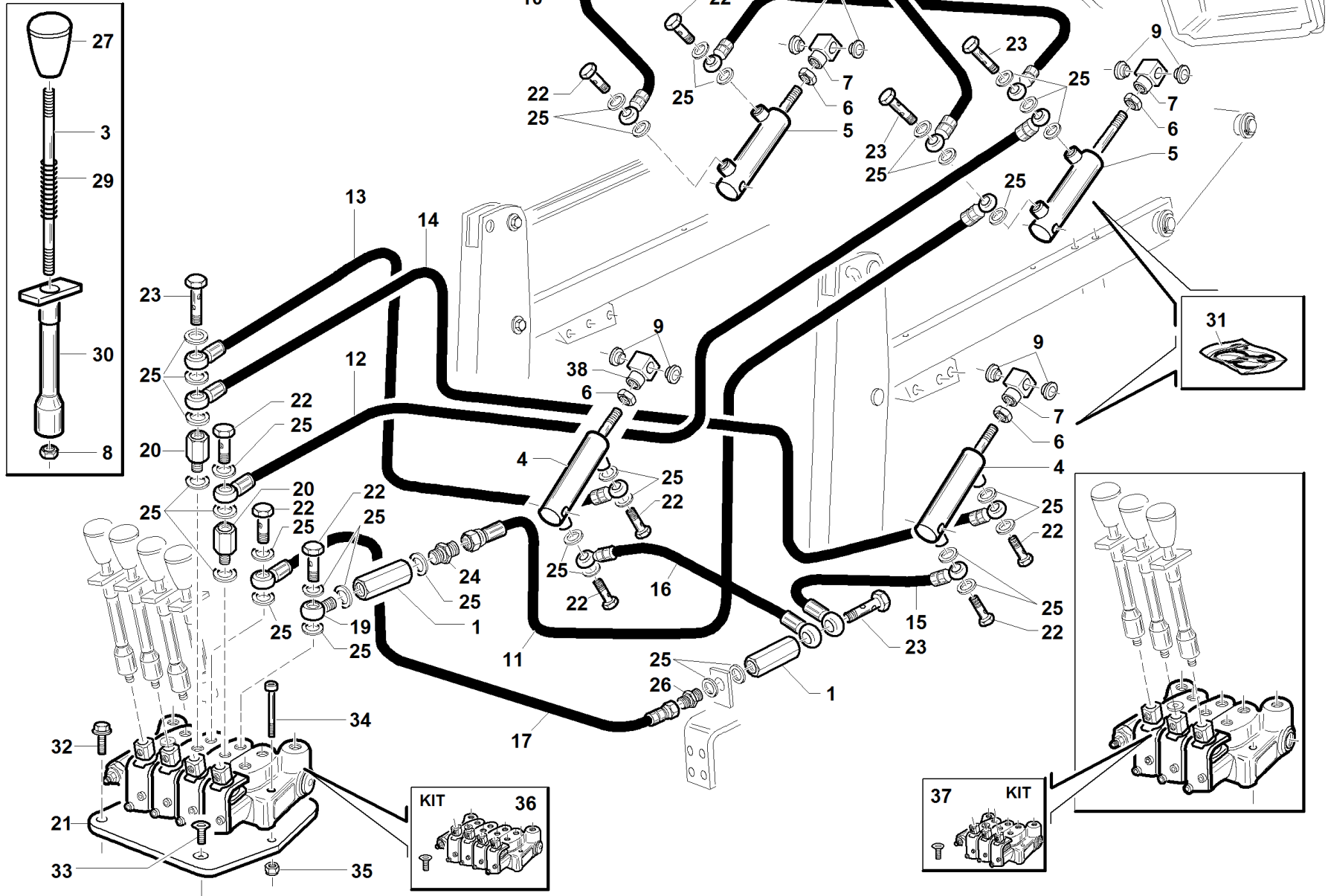
REF. 19 - 00555501022

#	P/N	DESCRIPTION	PG-SR
1	95060000001	FIXING SCREW CYLINDER	
2	00111250008	SELF BL. NUT M12	
3	00777600051	VENT PLUG	
4	00777600138	EXTENSION 1/4 L=35	
5	95001000060	BRASS BUSHING	
6	00111700006	PIN EL D.6X28	
7	00777600040	SIMPLE CABLE BOLT	
8	00777600001	WASHER COPPER 1/4	
9	00777600034	HOSE R1 1/4 L=460 OC1/4 OC1/4	
10	00777600114	HOSE	
11	95060210000	MOWER HOISTER CYLINDER	
12	95060211000	CYLINDER GASKETS KIT IT1506	
13	00777600039	DOUBLE CABLE BOLT	
14	00777600122	NIPPLE 1/4 X 1/4 - 0,9 ORIFICE	
15	00777600102	FEMALE RAPID ATTACHMENT 1/4	
16	00777600100	EXTENSION M/M 1/4 L=35	
17	00777600108	"THREATED EYES 1/4 X 1/4"	
18	00777600043	NIPPLE 1/4 X 1/4	
19	95301000027	HOSE 1/4	



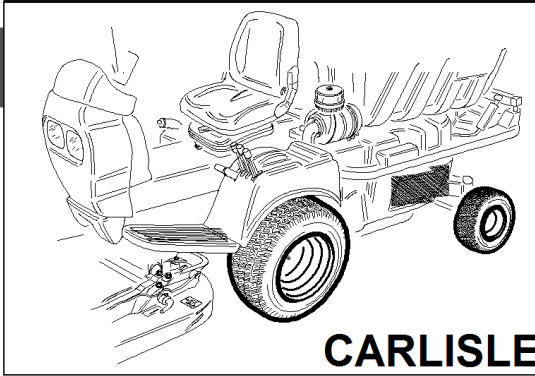
#	P/N	DESCRIPTION	PG-SR
1	00777600086	HOSE R1 L=1850	
2	00777600088	HOSE R1 L=1730	
3	00777600050	PLUG 1/4	
4	00777600118	3 LEVER DISTRIBUTOR	
5	00777601100	DISTRIBUTOR LONG LEVER	
6	00111970135	HANDGRIP D.25 M8	
7	95062000004	M8 Ch12 NUT	
8	95162000009	DISTRIBUTOR SAFETY LEVEL	
9	00777600113	DISTRIBUTOR SAFETY LEVEL SPRING	
10	00777600037	EXTENSION M/F 1/4 L=35	
11	00777600001	WASHER COPPER 1/4	
12	00777600040	SIMPLE CABLE BOLT	
13	00777600039	DOUBLE CABLE BOLT	
14	95125220000	CYLINDER	
15	00111990017	BUSHING WITH EDGE TFF 20/16,5	
16	94010000048	THREADED BUSH M16X1.5	
17	00111150005	NUT M16X1.5	
18	00777600089	HOSE R1 L=800	
19	00777600105	HOSE R1 L=750	
20	00777600108	"THREATED EYES 1/4 X 1/4"	
21	00777600138	EXTENSION 1/4 L=35	
22	00111450001	SCREW WASHER M8X25	
23	PZ95060000004	DISTRIBUTOR SUPPORT	
24	00111000166	SELF BL. SCREW M6	
25	00111400011	ALLEN SCREW M6X50	
26	00111000186	SCREW TSPEI M8X20	
27	95599270000	CYLINDER GASKET KIT	
28	00777600122	NIPPLE 1/4 X 1/4 - 0,9 ORIFICE	
29	00777600028	2 LEVER DISTRIBUTOR	

PG-SR

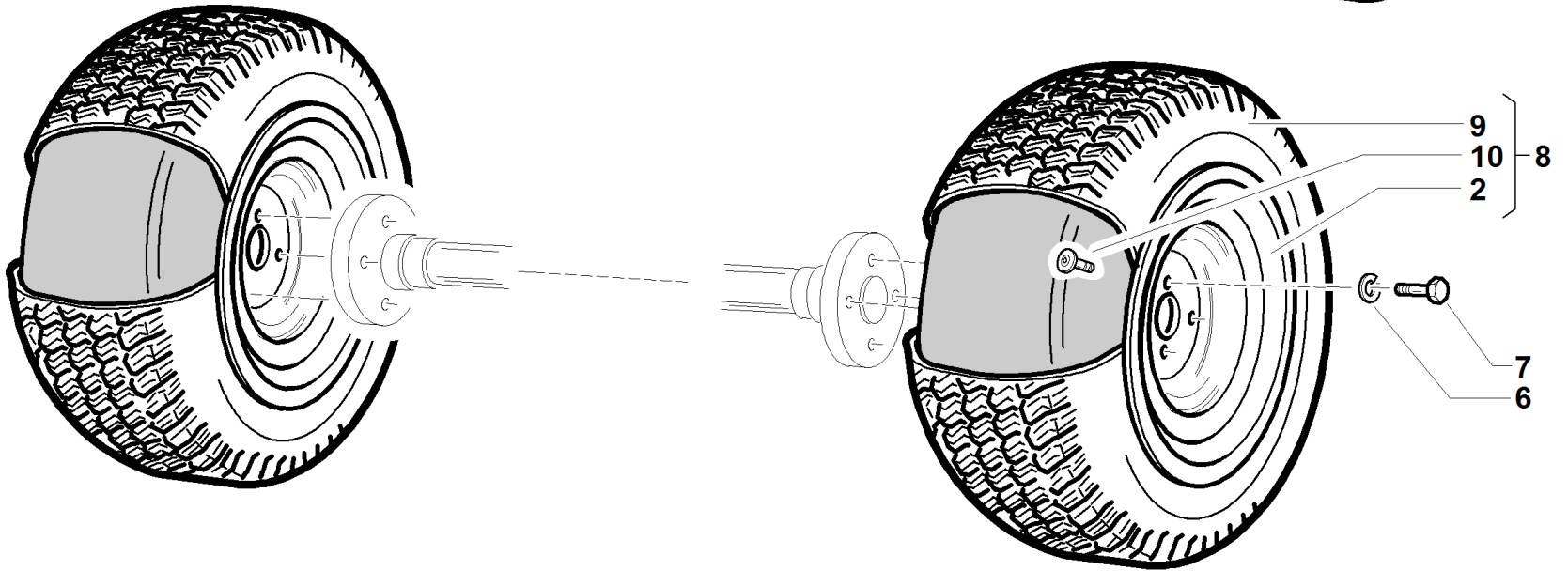
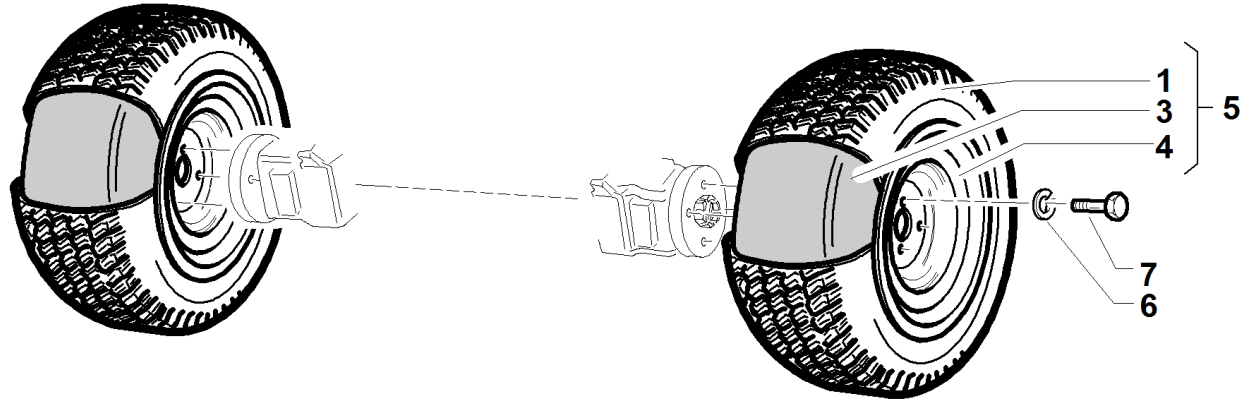


#	P/N	DESCRIPTION	PG-SR
1	00777600138	EXTENSION 1/4 L=35	
3	00777601100	DISTRIBUTOR LONG LEVER	
4	94013150000	CYLINDER	
5	95125220000	CYLINDER	
6	00111150005	NUT M16X1.5	
7	94010000048	THREADED BUSH M16X1.5	
8	95062000004	M8 Ch12 NUT	
9	00111990017	BUSHING WITH EDGE TFF 20/16,5	
10	00777600089	HOSE R1 L=800	
11	00777600090	HOSE R1 L=2400	
12	00777600091	HOSE R1 L=2600	
13	00777600086	HOSE R1 L=1850	
14	00777600087	HOSE R1 L=1350	
15	95128000002	HOSE R1 1/4 L=1250	
16	00777600088	HOSE R1 L=1730	
17	00777600092	HOSE R1 L=350	
19	00777600108	"THREATED EYES 1/4 X 1/4"	
20	00777600037	EXTENSION M/F 1/4 L=35	
21	95301000031	DISTRIBUTOR SUPPORT	
22	00777600040	SIMPLE CABLE BOLT	
23	00777600039	DOUBLE CABLE BOLT	
24	00777600122	NIPPLE 1/4 X 1/4 - 0,9 ORIFICE	
25	00777600001	WASHER COPPER 1/4	
26	00777600100	EXTENSION M/M 1/4 L=35	
27	00111970135	HANDGRIP D.25 M8	
28	00777600105	HOSE R1 L=750	
29	00777600113	DISTRIBUTOR SAFETY LEVEL SPRING	
30	95162000009	DISTRIBUTOR SAFETY LEVEL	
31	95599270000	CYLINDER GASKET KIT	
32	00111450001	SCREW WASHER M8X25	
33	00111000186	SCREW TSPEI M8X20	
34	00111400011	ALLEN SCREW M6X50	
35	00111000166	SELF BL. SCREW M6	
37	95598490000		
36	95598510000	4 LEVEL DISTRIB.KIT + M8 SCREW	
38	91007000002	THREADED BUSH M16X1.5	

PG-SR - W



CARLISLE



#

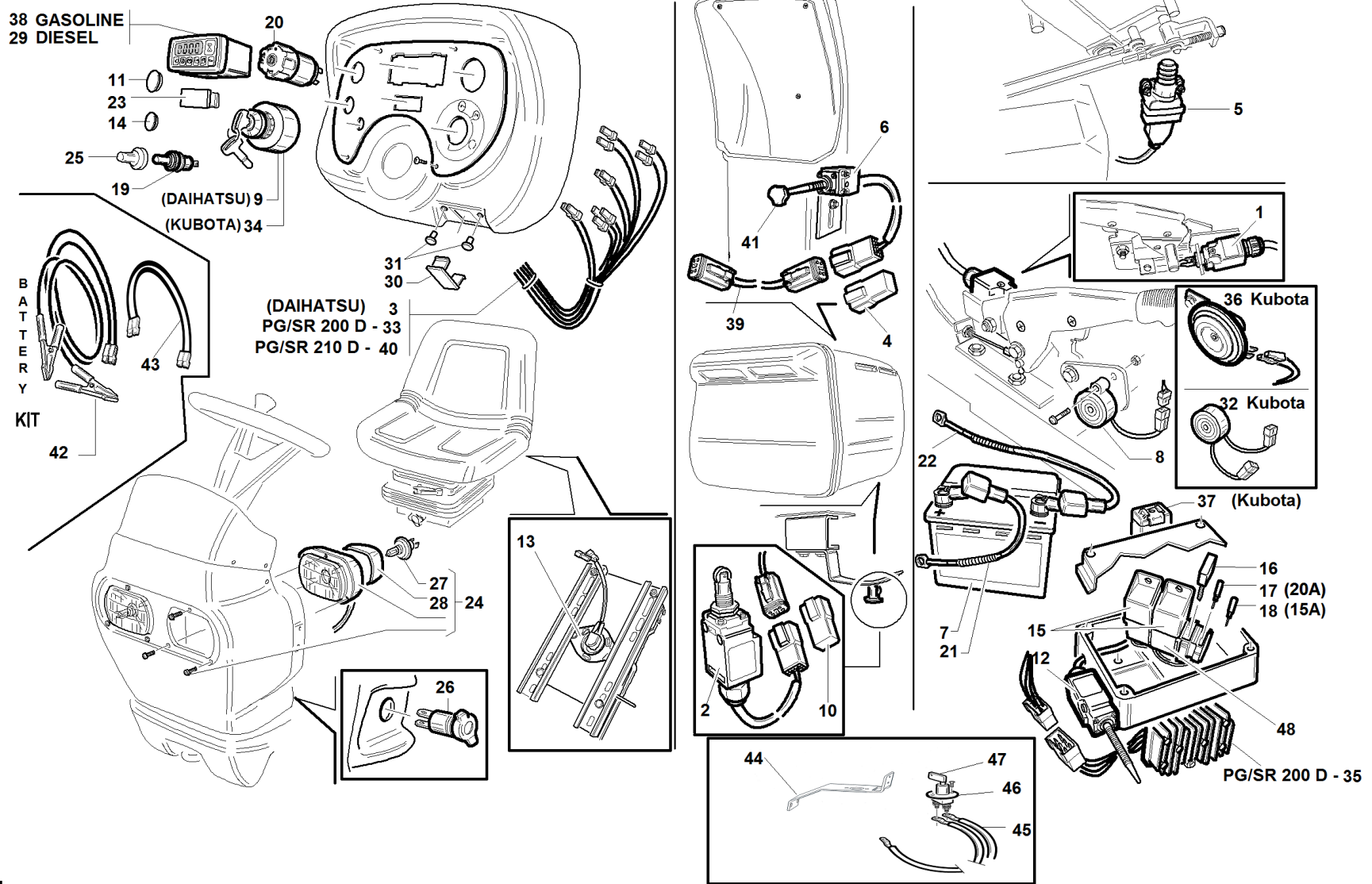
P/N

DESCRIPTION

PG-SR - W

1	00111940023	16X6,50-8 TIRE	
2	95303130001	RIM 8.50X12	
3	00111930003	INNER TUBE 16.6.50X8	
4	95303120001	RIM 16x5.00X8	
5	95303120000	16X6.50-8 WHEEL	
6	00111550004	ELASTIC WASHER M12	
7	00111300055	SCREW TE M12X1,25X25	
8	95303130000	23X10.50-12 WHEEL	
9	00111940024	23X10,50-12 TIRE	
10	00111930006	TUBELESS VALVE TR413	

PG-SR

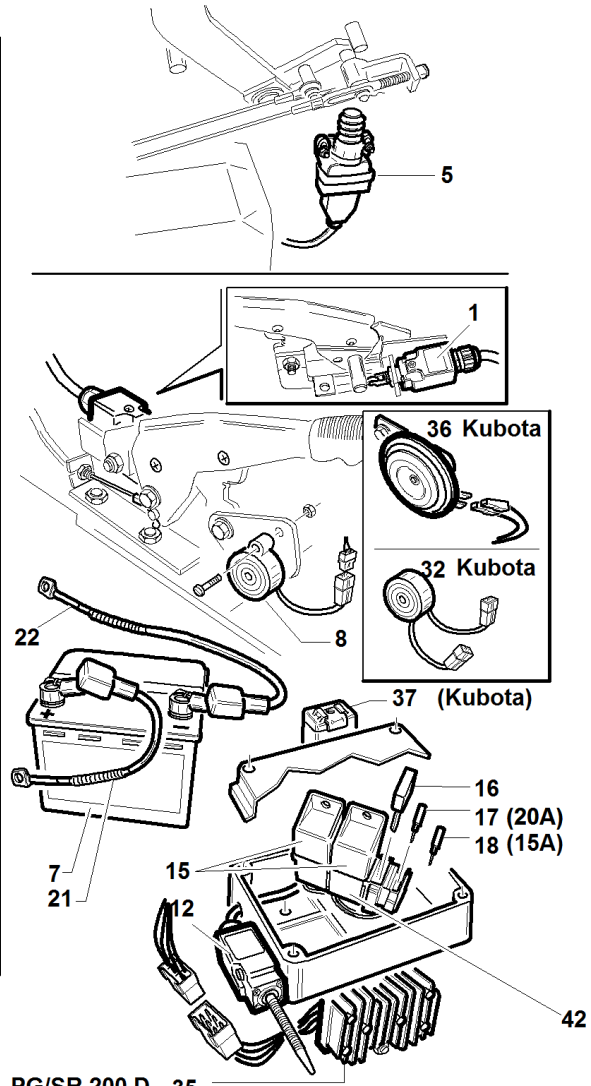
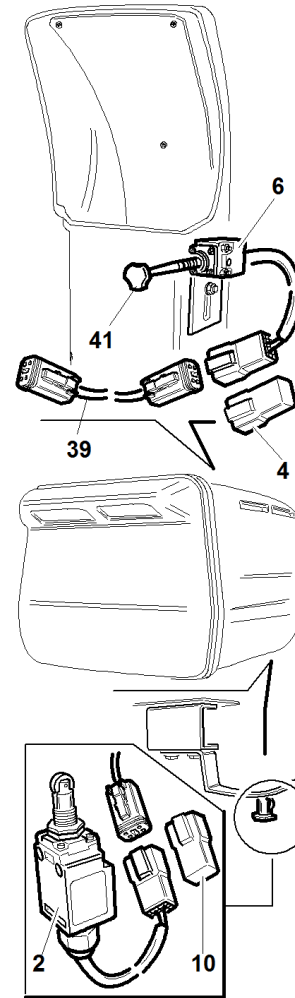
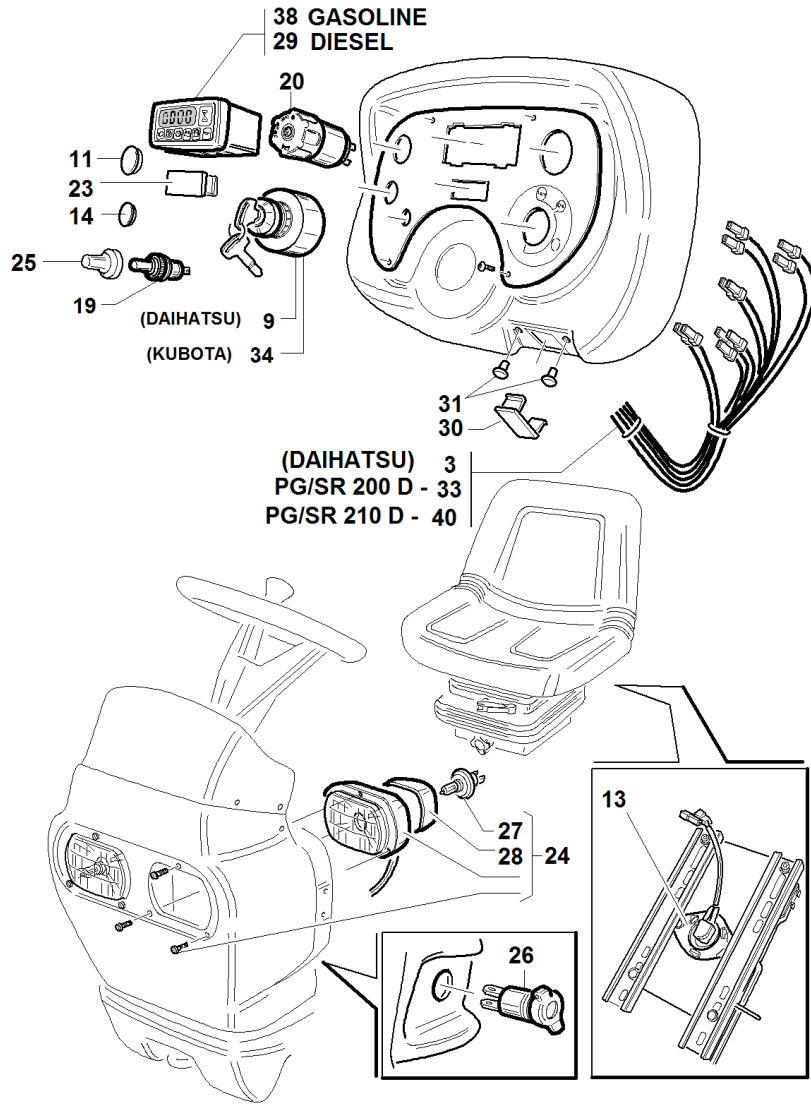


S/N
→ **1009023**

REF. 23 - 00555501060

#	P/N	DESCRIPTION	PG-SR
1	95200100000	HAND BRAKE DIESEL WIRED MICRO	
2	95200110000	OPEN HOPPER DIESEL WIRED MICRO	
3	95304130000	DAIHATSU CENTRAL HARNESS	
4	00777800167	FULL HOPPER WIRED MICRO CAP	
5	00777800023	PUSH BUTTON 15117000	
6	95042520000	HOPPER WIRED MICRO	
7	95599000036	BATTERY 12V 43A	
8	95301310000	WARNING HORN	
9	00777800222	START SWITCH	
10	00777800166	OPEN HOPPER WIRED MICRO CAP	
11	00111970157	BLACK PLUG	
12	95201101500	CLOSE HOOD WIRED MICRO	
13	00777800174	PG SEAT SWITCH	
14	00111970158	BLACK PLUG	
15	00777800098	RELAY 12V 70A	
16	00777800099	FUSE 70A	
17	00777800126	BLADE FUSE 20A	
18	00777800080	BLADE FUSE 15A	
19	00777800108	SWITCH	
20	00777800143	LIGHT SWITCH AND HORN BUTTON	
21	95201100001	PG-SR KUBOTA POSIT. BATT. CABLE	
22	95202100001	PG-SR DIESEL NEGAT. BATT. CABLE	
23	00111970162	PILOT LIGHT COVER	
24	00777802400	ASYMMETRIC PROJECTOR	
25	00777800109	SWITCH CAP	
26	00777800107	BIPOLAR TAP	
27	00777800152	BULB 12V 45/40W	
28	00777800156	RUBBER GUARD	
29	00777801000	COMPUTER PG	
30	00111970159	PLUG	
31	00111970095	KNOB -81205-	
32	95049470000	WARNING HORN	
33	95201101000	KUBOTA CENTRAL HARNESS	
34	00777800130	KUBOTA KEY BLOCK	
35	00777800172	KUBOTA ENGINE REGULATOR	
36	00777800022	HORN 12V	
37	00777800173	KUBOTA RELAY T0070-31410	
38	00777800195	PG/SR PETROL COMPUTER	
39	00777800124	COMPLETE CABLE FOR COLLECTOR	
40	95338131000		
41	00111970042	FEMALE KNOB THB20M4	
42	92001290005	WIRED BATTERY PLUG	
43	95338130003	WIRED EMERGENCY BATTERY PLUG	
44	95301000040	BATTERY SUPPORT BRACKET	
45	95338130002	GROUND CABLE	
46	00777800198	BATTERY SWITCH	
47	00777800203	BATTERY DISCONNECTION KEY	
48	00777800242		

PG-SR



PG/SR 200 D - 35

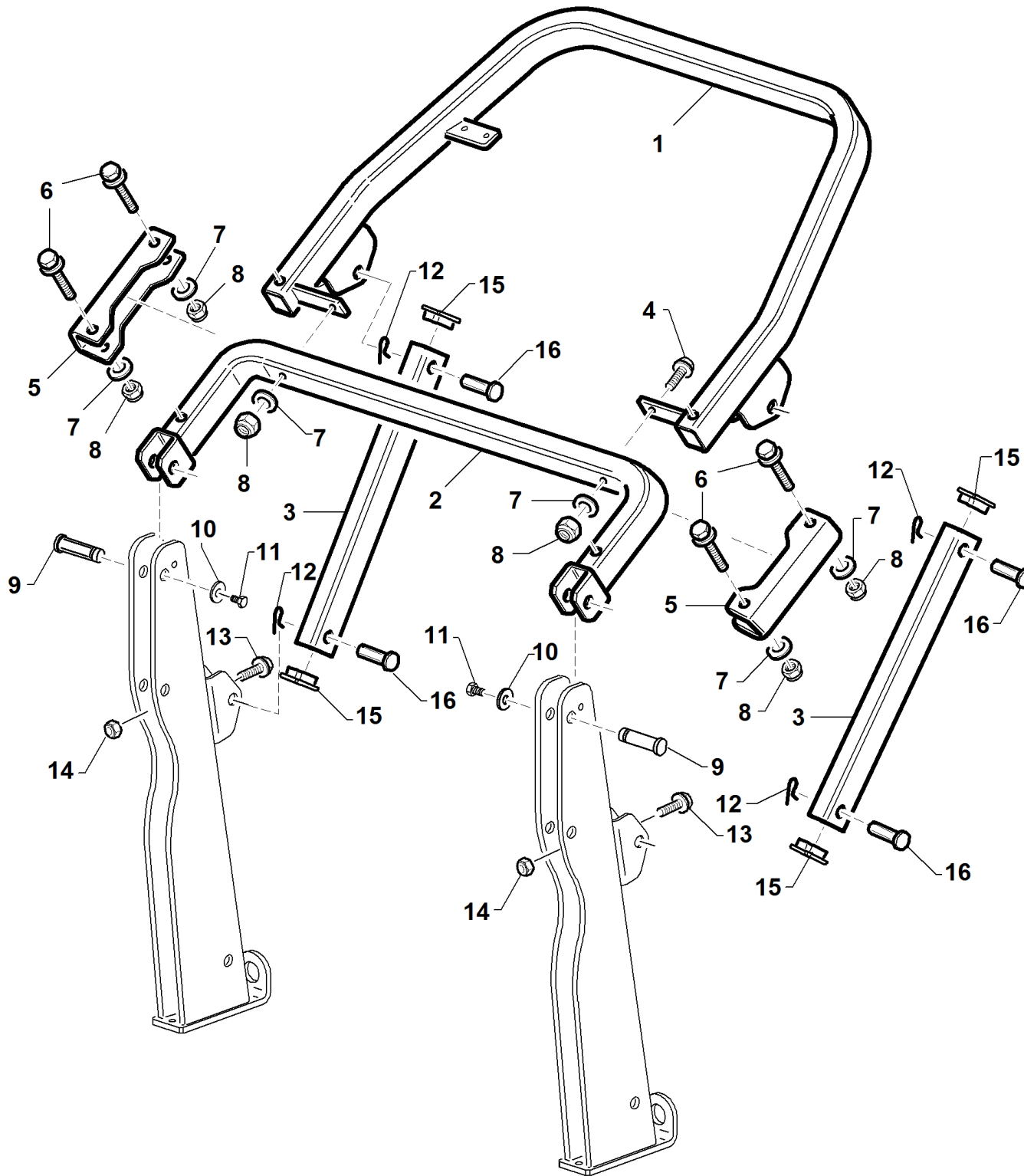
S/N

→ 0603001 ÷ 1009022 ←

REF.23 - 00555501024

#	P/N	DESCRIPTION	PG-SR
1	95200100000	HAND BRAKE DIESEL WIRED MICRO	
2	95200110000	OPEN HOPPER DIESEL WIRED MICRO	
3	95304130000	DAIHATSU CENTRAL HARNESS	
4	00777800167	FULL HOPPER WIRED MICRO CAP	
5	00777800023	PUSH BUTTON 15117000	
6	95042520000	HOPPER WIRED MICRO	
7	95599000036	BATTERY 12V 43A	
8	95301310000	WARNING HORN	
9	00777800222	START SWITCH	
10	00777800166	OPEN HOPPER WIRED MICRO CAP	
11	00111970157	BLACK PLUG	
12	95201101500	CLOSE HOOD WIRED MICRO	
13	00777800174	PG SEAT SWITCH	
14	00111970158	BLACK PLUG	
15	00777800098	RELAY 12V 70A	
16	00777800099	FUSE 70A	
17	00777800126	BLADE FUSE 20A	
18	00777800080	BLADE FUSE 15A	
19	00777800108	SWITCH	
20	00777800143	LIGHT SWITCH AND HORN BUTTON	
21	95201100001	PG-SR KUBOTA POSIT. BATT. CABLE	
22	95202100001	PG-SR DIESEL NEGAT. BATT. CABLE	
23	00111970162	PILOT LIGHT COVER	
24	00777802400	ASYMMETRIC PROJECTOR	
25	00777800109	SWITCH CAP	
26	00777800107	BIPOLAR TAP	
27	00777800152	BULB 12V 45/40W	
28	00777800156	RUBBER GUARD	
29	00777801000	COMPUTER PG	
30	00111970159	PLUG	
31	00111970095	KNOB -81205-	
32	95049470000	WARNING HORN	
33	95201101000	KUBOTA CENTRAL HARNESS	
34	00777800130	KUBOTA KEY BLOCK	
35	00777800172	KUBOTA ENGINE REGULATOR	
36	00777800022	HORN 12V	
37	00777800173	KUBOTA RELAY T0070-31410	
38	00777800195	PG/SR PETROL COMPUTER	
39	00777800124	COMPLETE CABLE FOR COLLECTOR	
40	95338131000		
41	00111970042	FEMALE KNOB THB20M4	
42	00777800242		

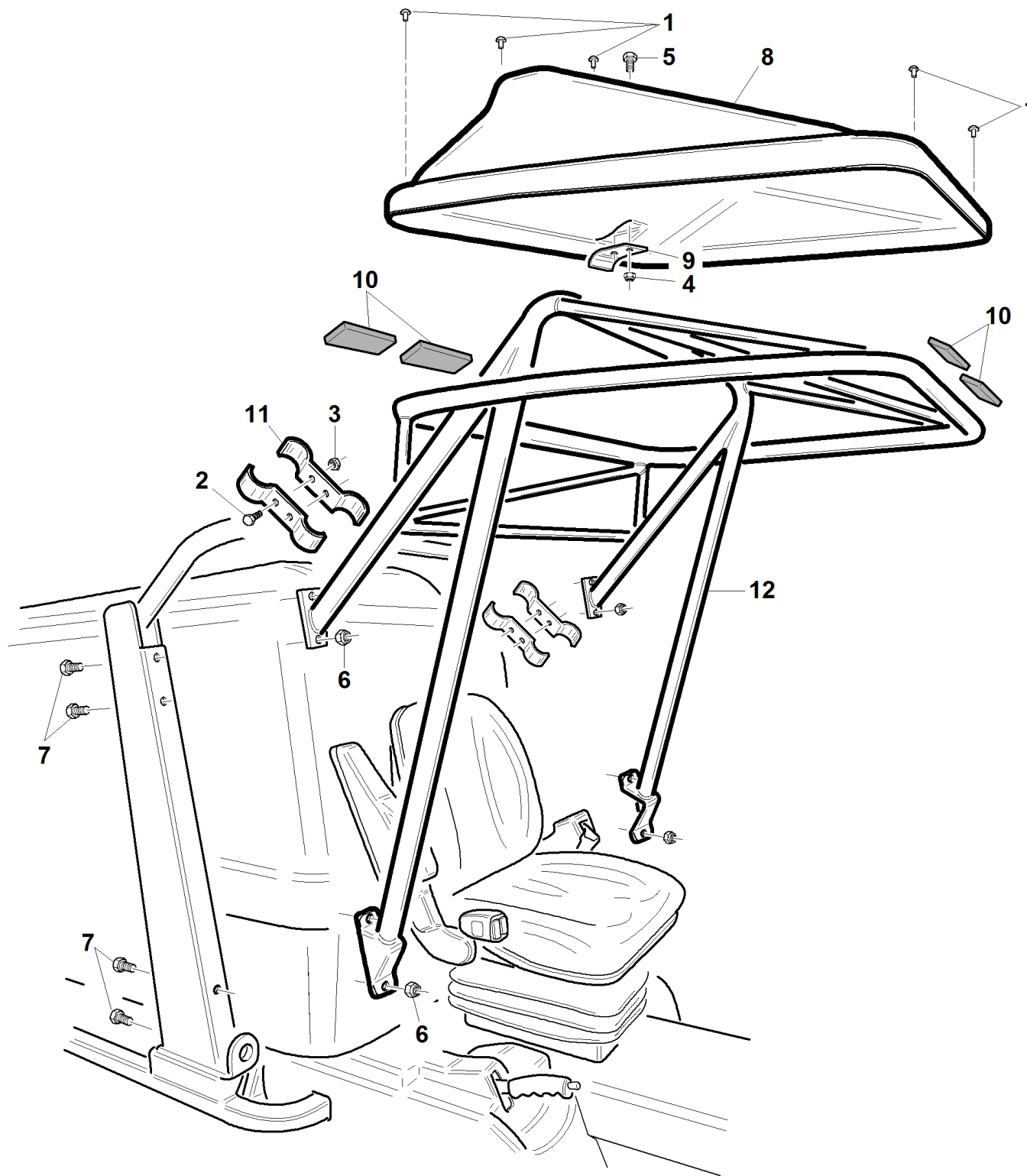
PG-SR



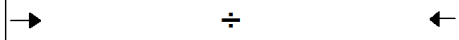
S/N
→ **1010029**

REF. 24 - 00555501057

#	P/N	DESCRIPTION	PG-SR
1	95227120000	ROPS TUBULAR SUPPORT	
2	95227130000	ROPS TUBULAR SUPPORT	
3	95227140000	ROPS SUPPORT TUBULAR	
4	00111300010	SCREW TE M12X70	
5	95227000003		
6	00111300104	SCREW	
7	00111000105	WASHER P.13X24X2,5	
8	00111250008	SELF BL. NUT M12	
9	94010000060	CYLINDER FIXING PIN	
10	00111000061	WASHER 8.4X24X2	
11	00111000081	SCREW TE M8X16	
12	00111750008	PIN	
13	00111450007	FALS SCREW R.M10X25	
14	00111250004	SELF BL. NUT M10	
15	00111970212	RETTANGULAR PLASTIC CAP	
16	95227000002	PIN Ø20X66	



S/N



REF. 24 - 00555501016

#

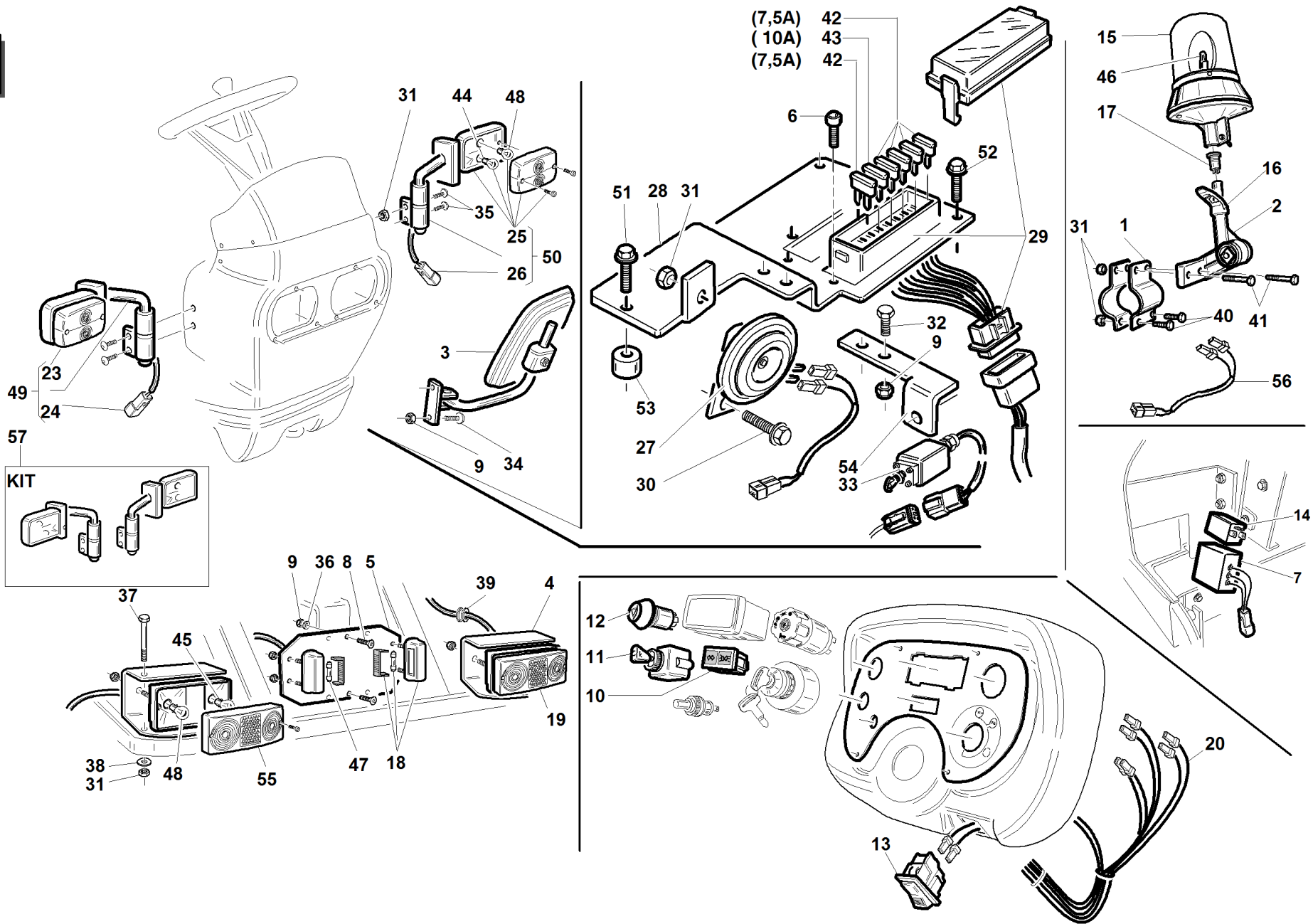
P/N

DESCRIPTION

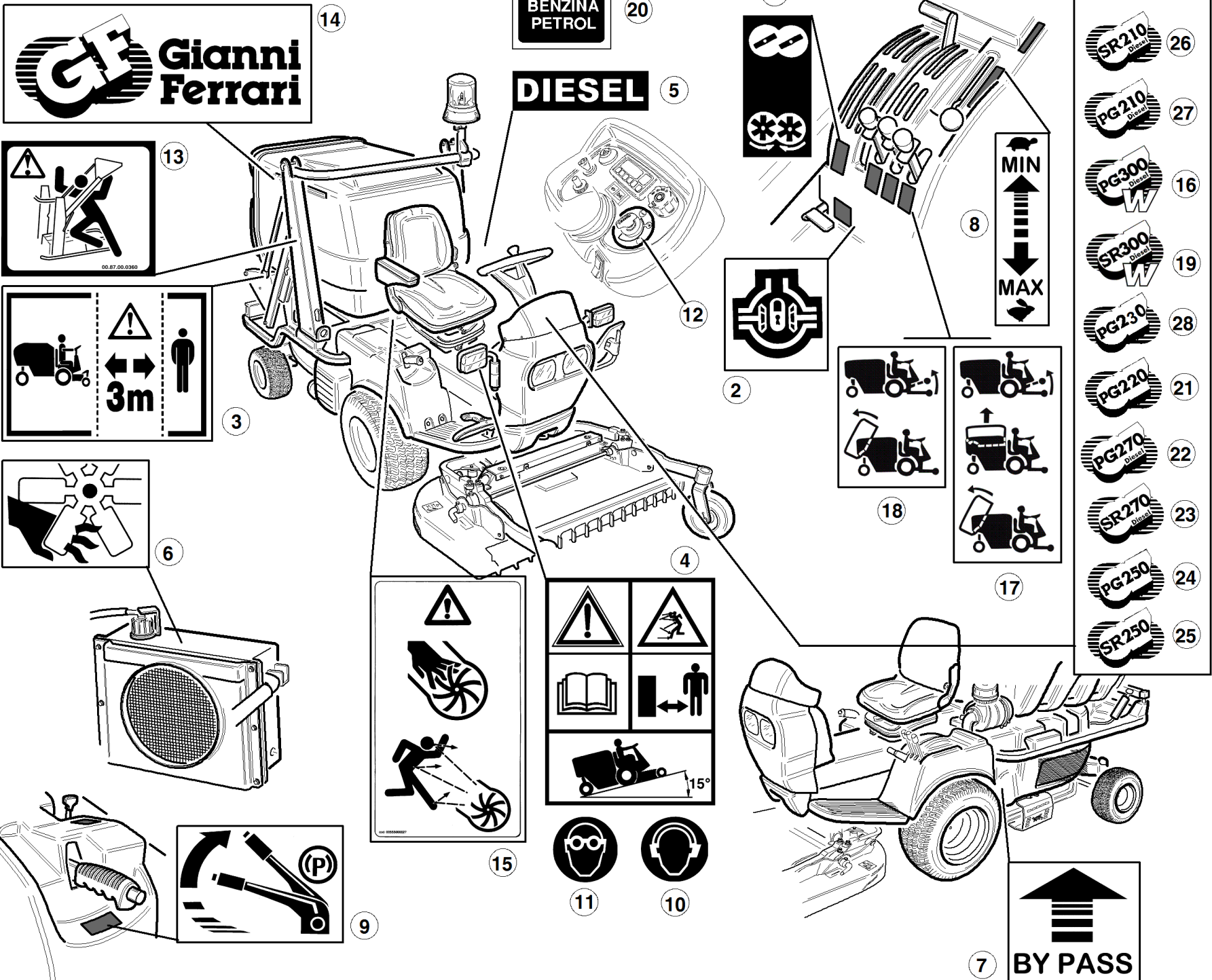
PG-SR

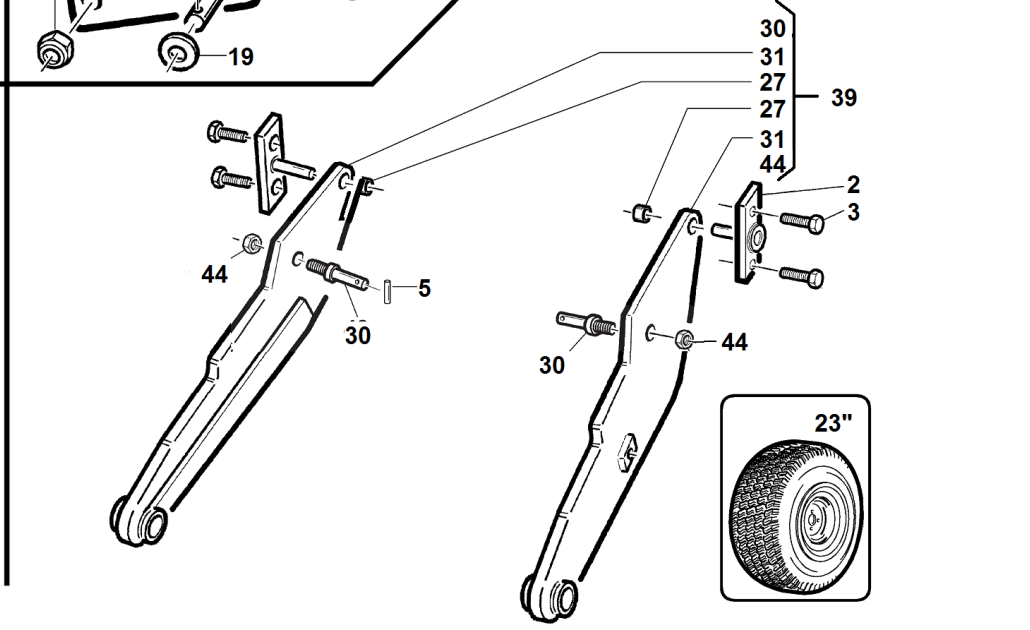
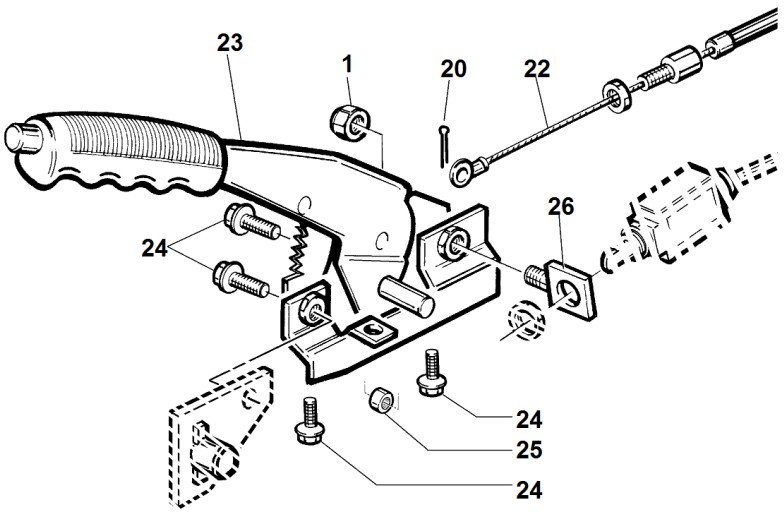
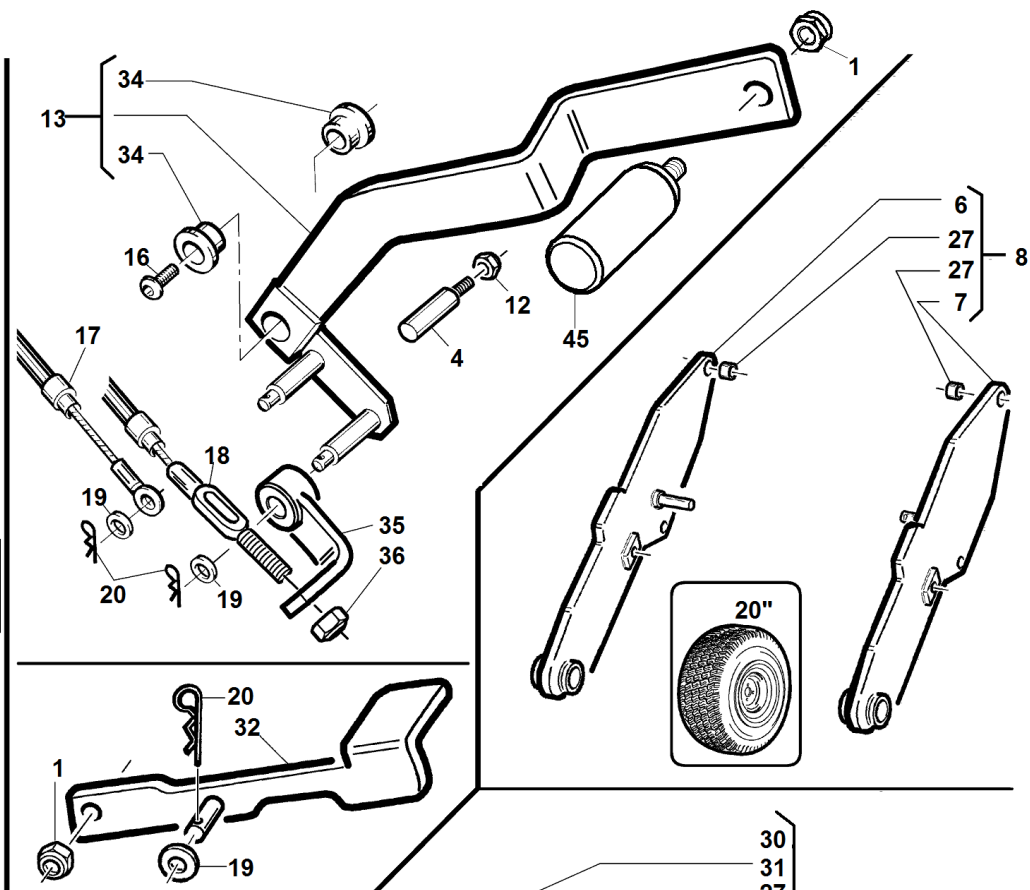
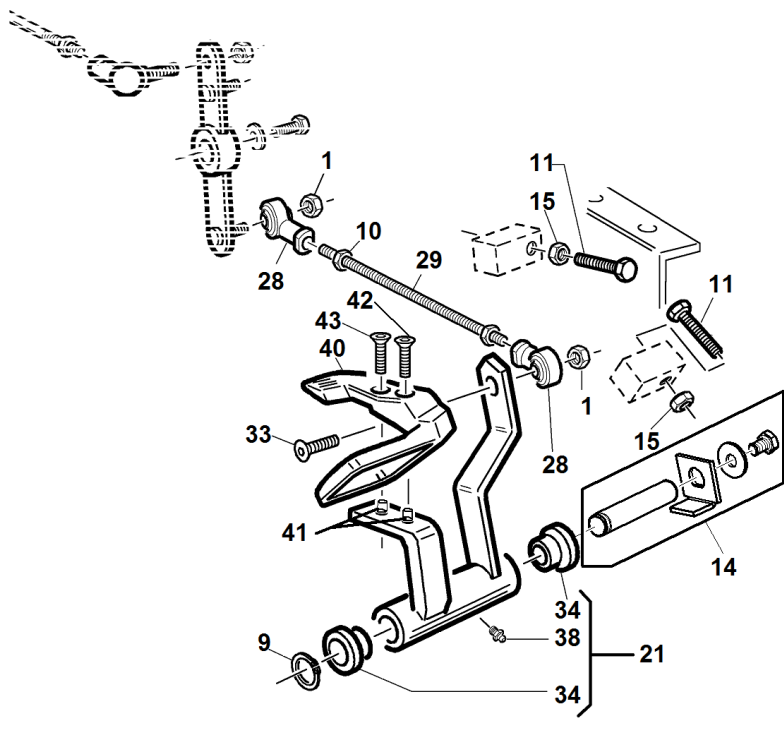
1	00111800004	RIVET D.4.8X16X20	
2	00111000063	SCREW ALLEN M8X16	
3	00111000095	SELF BLO. NUT M8	
4	00111000071	SELF BLO. NUT M8	
5	00111000145	SCREW TE M8 X 35	
6	00111250004	SELF BL. NUT M10	
7	00111450007	FALS SCREW R.M10X25	
8	95164000001	ROPS PLASTIC COVER	
9	95164000002	ROPS REINFORCEMENT SHEET	
10	95164000003	AIR STOP 50 X 3 L=60	
11	95164000004	ROLLBAR SUPPORT PLATE	
12	95164100000	ROPS FRAME COMPL.	

PG-SR



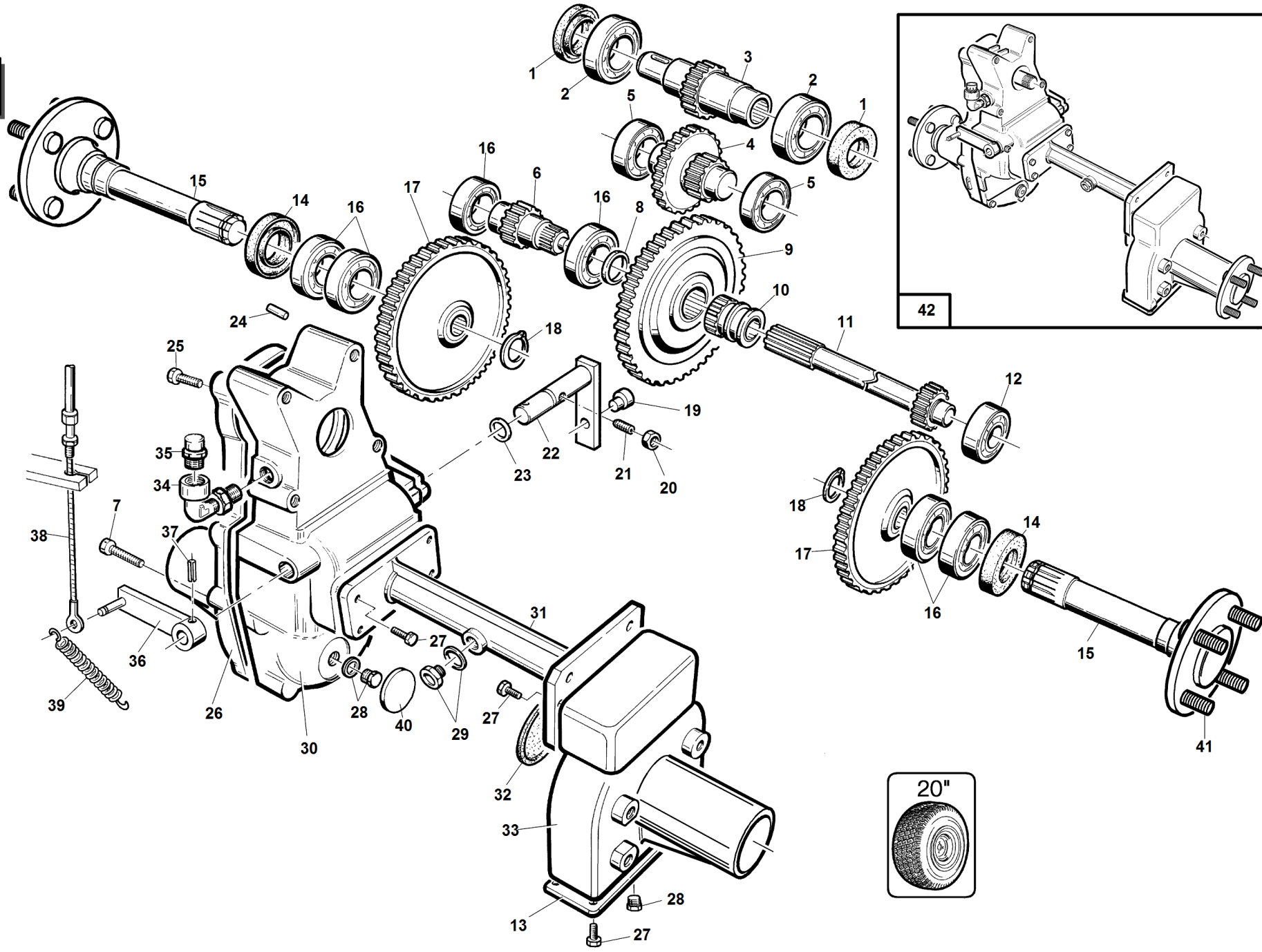
#	P/N	DESCRIPTION	PG-SR	REF. 25 - 00555501017
1	95162000002	LAMP FIXING PLATE		
2	00111971100	LAMP SUPPORT		
3	00111970154	LEFT REARVIEW MIRROR		
4	95162000003	REAR LIGHT SUPPORT		
5	95162000004	PLATE SUPPORT		
6	00111400028	ALLEN SCREW M5X14		
7	95162300000	ELECTRIC TIMER PANEL		
8	00111350023	SCREW TSPEI M6X20		
9	00111000166	SELF LOCKING NUT M6 UNI 7473		
10	00777800141	DIRECTION INDICATOR TELLTALE		
11	00777800142	TURN INDICATOR SWITCH		
12	00777800144	EMERGENCY LIGHT SWITCH		
13	00777800145	LAMP SWITCH		
14	00777800171	INTERMITTENCE 12V-47/180W		
15	00777801400	ROTATING LAMP		
16	00777801402	LAMP PLASTIC CAP		
17	00777801401	LAMP CONNECTOR		
18	00777802000	PLATE LIGHT		
19	00777802100	MULTIPURPOSE REAR LIGHT		
20	95162100000	LIGHT CABLE SYSTEM		
23	00777802300	RIGHT HEADLIGHT		
24	95162201001	RIGHT HEAD LIGHT CABLE		
25	00777802200	LEFT HEADLIGHT		
26	95162201101	LEFT HEADLIGHT CABLE		
27	00777800022	HORN 12V		
28	95301000012	PEDAL SUPPORT		
29	95162201202	FUSE BOX		
30	00111450003	SCREW WASHER M8X20		
31	00111000071	SELF LOCKING NUT M8 UNI 7473		
32	00111450005	SCREW/W M6X16		
33	95162201300	STOP LIGHT WIRED MICRO		
34	00111450016	SCREW M6x25		
35	00111450015	SCREW M8x30		
36	00111500009	WASHER 6.4X12.5X1.6		
37	00111300027	HEX SOCKET HEAD CAP SCREW M8X60 UNI 5737		
38	00111000087	WASHER P.8,4X15.6X1,5		
39	00111970128	FAIRLEAD UPRIGHT		
40	00111300008	SCREW TE M8X25		
41	00111000145	SCREW TE M8 X 35		
42	00777800078	BLADE FUSE 7,5 AMP		
43	00777800079	BLADE FUSE 10A		
44	00777800177	BULB 12V R5W		
45	00777800179	BULB 12V P21/5W		
46	00777800180	BULB H1 12V 55W		
47	00777800181	BULB 12V C5W		
48	00777800178	BULB 12V P21W		
49	95162201000	RIGHT HEADLIGHT		
50	95162201100	LEFT HEADLIGHT		
51	00111450002	SCREW WASHER M8X30		
52	00111000059	FAKE SCREW/WASH. M8X14		
53	95301000004	SPACER 12X25 L=15		
54	95301000030	STOP SWITCH SUPPORT		
55	00777802101	LIGHT GLASS		
56	95162200001	ROTATING LAMP HARNESS		
57	95597120000			





#	P/N	DESCRIPTION	PG-SR
1	00111000071	SELF LOCKING NUT M8 UNI 7473	
2	95301150000	LIFTING ARMS SUPPORT	
3	00111000103	SCREW TE M10X30	
4	95301000002	LEVER DRILL ROD	
5	00111700006	PIN EL D.6X28	
6	95311150000	RIGHT LIFT ARM COMPLETE	
7	95311140000	LEFT LIFT ARM COMPLETE	
8	95599660000	PG LIFT ARMS KIT	
9	00111650004	SNAP RING D.15 E	
10	00111000082	NUT M8	
11	00111000033	SCREW TE M8X30	
12	00111000166	SELF LOCKING NUT M6 UNI 7473	
13	95301280000	LEVER PTO TURBINE COMP.	
14	95597270000	PEDAL PIN KIT	
15	00111150003	NUT M8	
16	00111450004	SCREW WASHER M8X12	
17	95301000020	BLADE BRAKE CABLE	
18	95042210004	ADJUSTABLE TURBINE AND PTO CABLE	
19	00111500009	WASHER 6.4X12.5X1.6	
20	00111000114	"PIN ""R"" D.1,2"	
21	95301320000	PEDAL SUPPORT	
22	95042000013	HAND BRAKE CABLE	
23	00111990015	HAND BRAKE LEVER	
24	00111450003	SCREW WASHER M8X20	
25	95001000027	BORE WASHER Ø8.25X14 L=8	
26	PZ95042190000	MICRO SUPPORT	
27	00111530005	BUSHING FRIMET 18 20 10	
28	00777200007	ARTICULATION HEAD CF8 M8	
29	95311180001	PEDAL TIE ROD	
30	95301000032	CYLINDER SUPPORT PIN	
31	95303150000	LEFT LIFTING ARM	
32	PZ95001390000	DIFFERENTIAL LOCK PEDAL	
33	00111350022	SCREW TSPEI M8X30 ZNT	
34	95001000060	BRASS BUSHING	
35	PZ95042216000	TURBINE CABLE REGISTER	
36	00111000095	SELF BLO. NUT M8	
37	95301140000	ADVANCING PEDAL SUPPORT	
38	00111000036	GREASER M6	
39	95599590000	PG-W LIFT ARMS KIT	
40	95533000003	ACCELERATOR PEDAL	
41	94500000051	SPACER 10.25X16X10.5	
42	00111000111	SCREW TSPEI M8X40	
43	00111350038		
44	00111150005	NUT M16X1.5	
45	95500000071	PTO LONG KNOB	

PG-SR - 20"



#

P/N

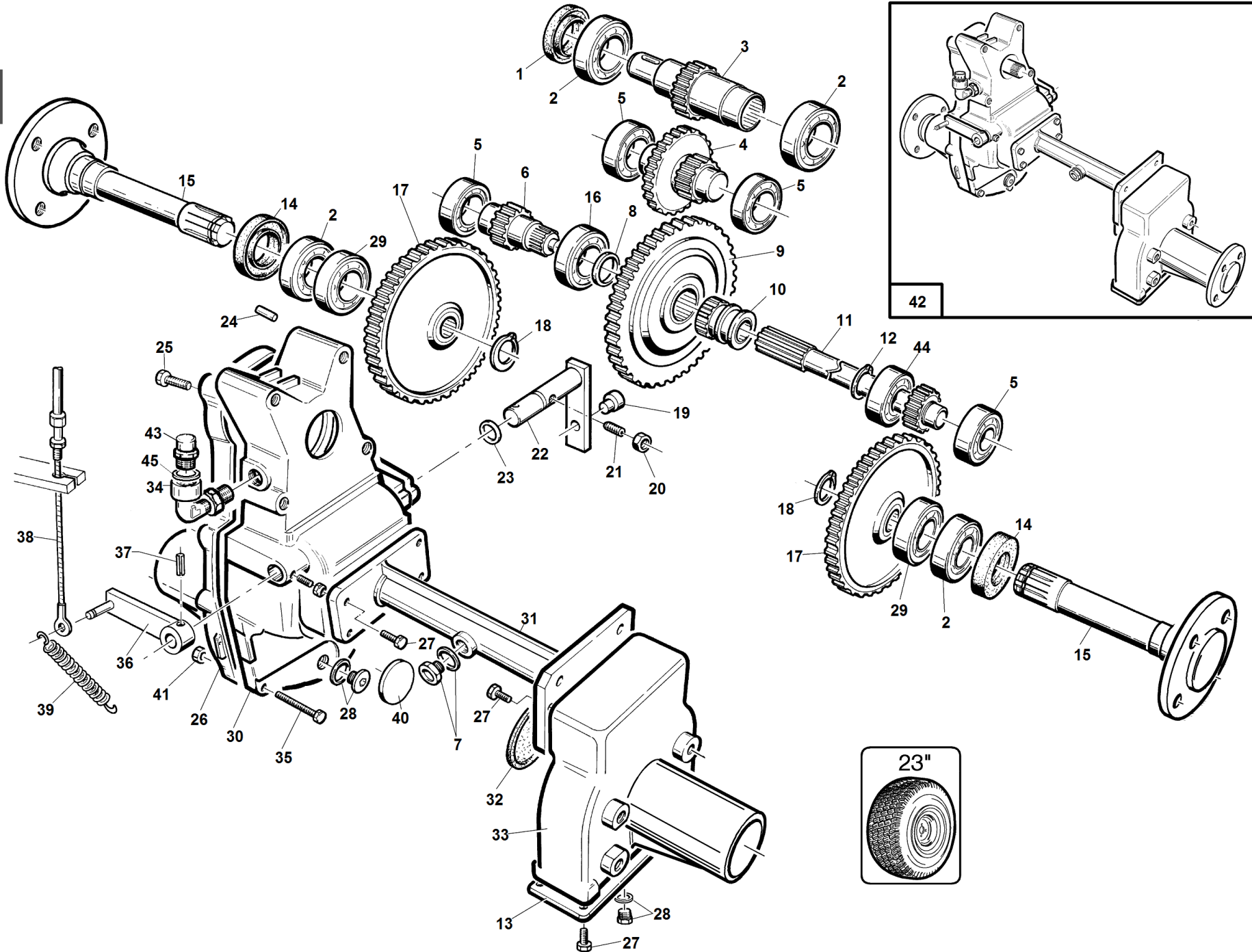
DESCRIPTION

PG-SR - 20"

REF. 28 - 00555501028

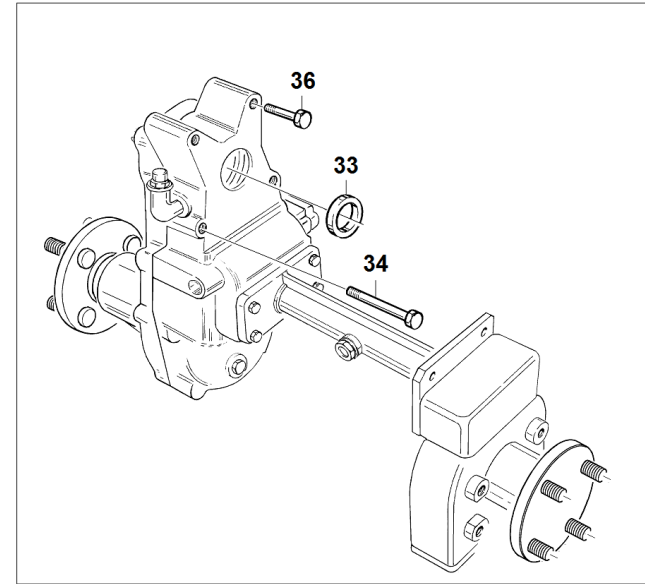
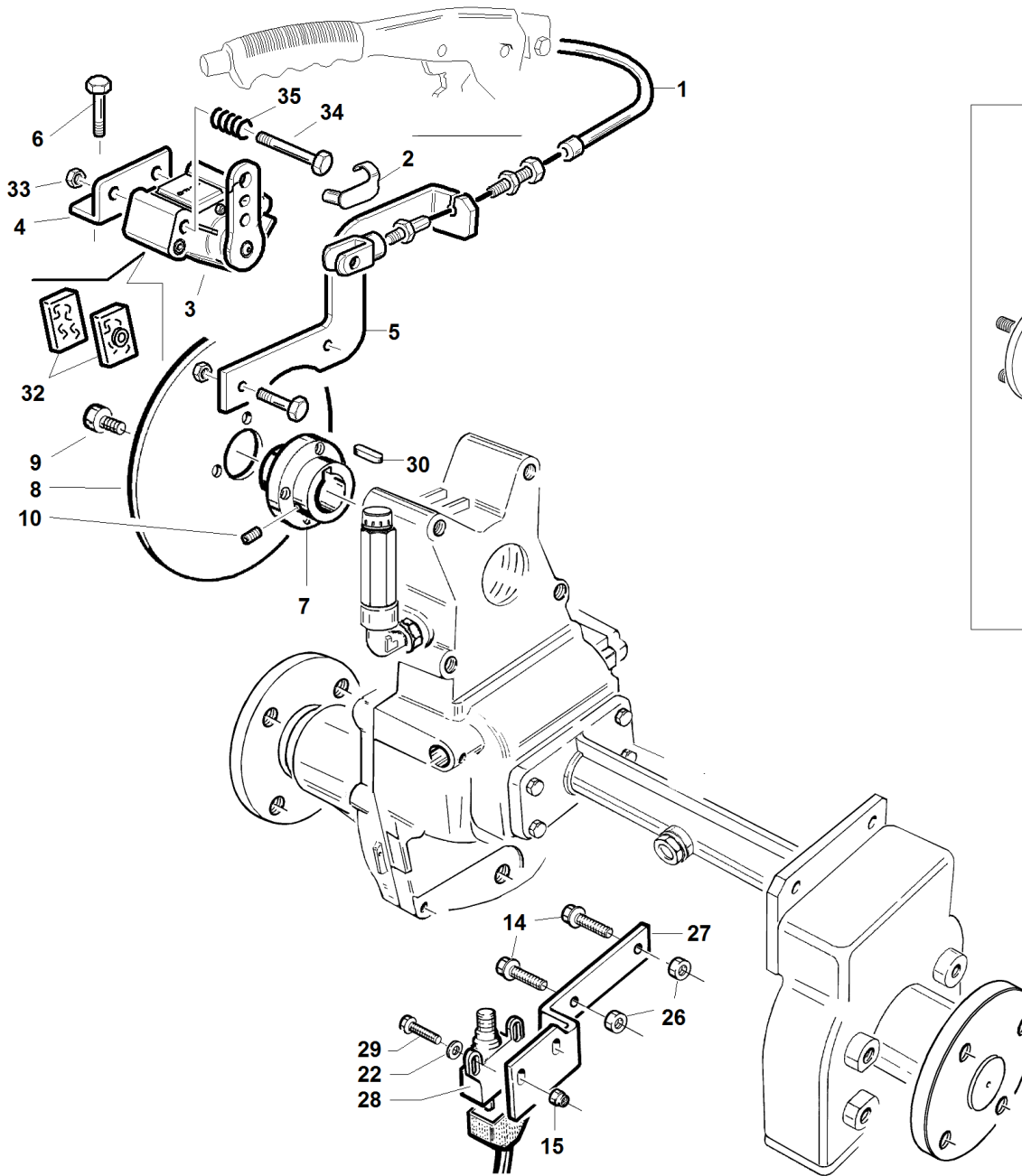
1	00777250003	SEAL WASHER BA 30X47X7
2	00777100014	KOYO BEARING 6006 30X55X13
3	00777304602	HOLLOW SHAFT
4	00777304603	PINION SHAFT Z=29
5	00777100015	KOYO BEARING 6005 25X47X12
6	00777301004	PINION SHAFT Z15
7	00111300015	SCREW TE M8X55
8	00777301005	SPACER
9	00777301001	DIFFERENTIAL
10	00777301006	SPLINED BUSHING
11	00777301007	PINION SHAFT Z13
12	00777100016	KOYO BEARING 6203 17x40x12
13	00777301008	FLAT COVER
14	00777250005	SEAL WASHER BASL 30X52X7
15	95599370000	COMPLETE AXLE SHAFT
16	00777100017	KOYO BEARING 6205
17	00777301010	CROWN Z69
18	00111650008	SNAP RING D.24 E
19	00777301011	RUNNER
20	00111150003	NUT M8
21	00111960004	GRUB M8X20
22	00777301012	DIFFERENTIAL LEVER
23	00777230001	OR RING 112
24	00111870004	PIN A 6X14
25	00111000094	SCREW TE M8X40
26	00777305702	RIGHT HALF GEAR CASE
27	00111000093	SCREW TE M8X20
28	00111990099	COVER FOR OIL EXHAUST 3/8"
29	00111990002	LEVEL WITHTROL SIDE DISCHARGE
30	00777305703	LEFT HALF GEAR CASE
31	00777301015	EXTENSION
32	00777270001	CLOSED CAP 62X7
33	00777305701	LEFT GEAR CASE
34	00111990004	PIPE-FITTING A 90°
35	00111990003	COVER VENTILATION 1/2 GAS
36	95001100000	OUTER DIFF. LOCK LEVER
37	00111700006	PIN EL D.6X28
38	95001000021	DIFF. BLOCK. CABLE
39	95001000050	SPRING DIFF. LOCK
40	00777270007	CLOSED CAP 42X7
41	00111990102	LITTLE COLUMN M12x1.5x35
42	00777305700	GEAR BOX SET

PG-SR - 23"



#	P/N	DESCRIPTION	PG-SR - 23"	REF. 29 - 00555501029
1	00777250024	SEAL WASHER AS 30X47X7		
2	00777100014	KOYO BEARING 6006 30X55X13		
3	00777304801	INPUT SHAFT Z=22		
4	00777301003	PINION SHAFT Z31-Z15		
5	00777100015	KOYO BEARING 6005 25X47X12		
6	95303170008	PINION SHAFT Z15		
7	00111990002	LEVEL WITHTROL SIDE DISCHARGE		
8	95303170009	SPACER		
9	00777301001	DIFFERENTIAL		
10	00777301006	SPLINED BUSHING		
11	95303170002	PINION SHAFT Z13		
12	00111650009	SNAP RING D.52 I		
13	95303170007	COVER		
14	00777250025	SEAL WASHER AS 35X55X10		
15	95303170005	AXLE SHAFT		
16	00777100052	BEARING 25X52X15		
17	95303170004	CROWN Z=69		
18	00111650028	SNAP RING D29 E		
19	00777301011	RUNNER		
20	00111150003	NUT M8		
21	00111960004	GRUB M8X20		
22	00777301012	DIFFERENTIAL LEVER		
23	00777230001	OR RING 112		
24	00111870004	PIN A 6X14		
25	00111000094	SCREW TE M8X40		
26	95303170010	RIGHT HALF GEAR CASE		
27	00111000093	SCREW TE M8X20		
28	00111990099	COVER FOR OIL EXHAUST 3/8"		
29	00777100024	BEARING CLA 6206 0X62X16		
30	95303170001	LEFT HALF GEAR CASE		
31	95303170003	EXTENSION		
32	00777270001	CLOSED CAP 62X7		
33	95303170006	LEFT GEAR CASE		
34	00111990004	PIPE-FITTING A 90°		
35	00111300074	SCREW M8X55		
36	95001100000	OUTER DIFF. LOCK LEVER		
37	00111700006	PIN EL D.6X28		
38	95301000021	DIFFERENTIAL BLOCKING LOCK CABLE		
39	95001000050	SPRING DIFF. LOCK		
40	00777270007	CLOSED CAP 42X7		
41	00111000082	NUT M8		
42	95311170000	PG2WD GEAR BOX		
43	00111990003	COVER VENTILATION 1/2 GAS		
44	00777100051	KOYO BEARING 6205		
45	00777600117	COPPER WASHER 1/2"		

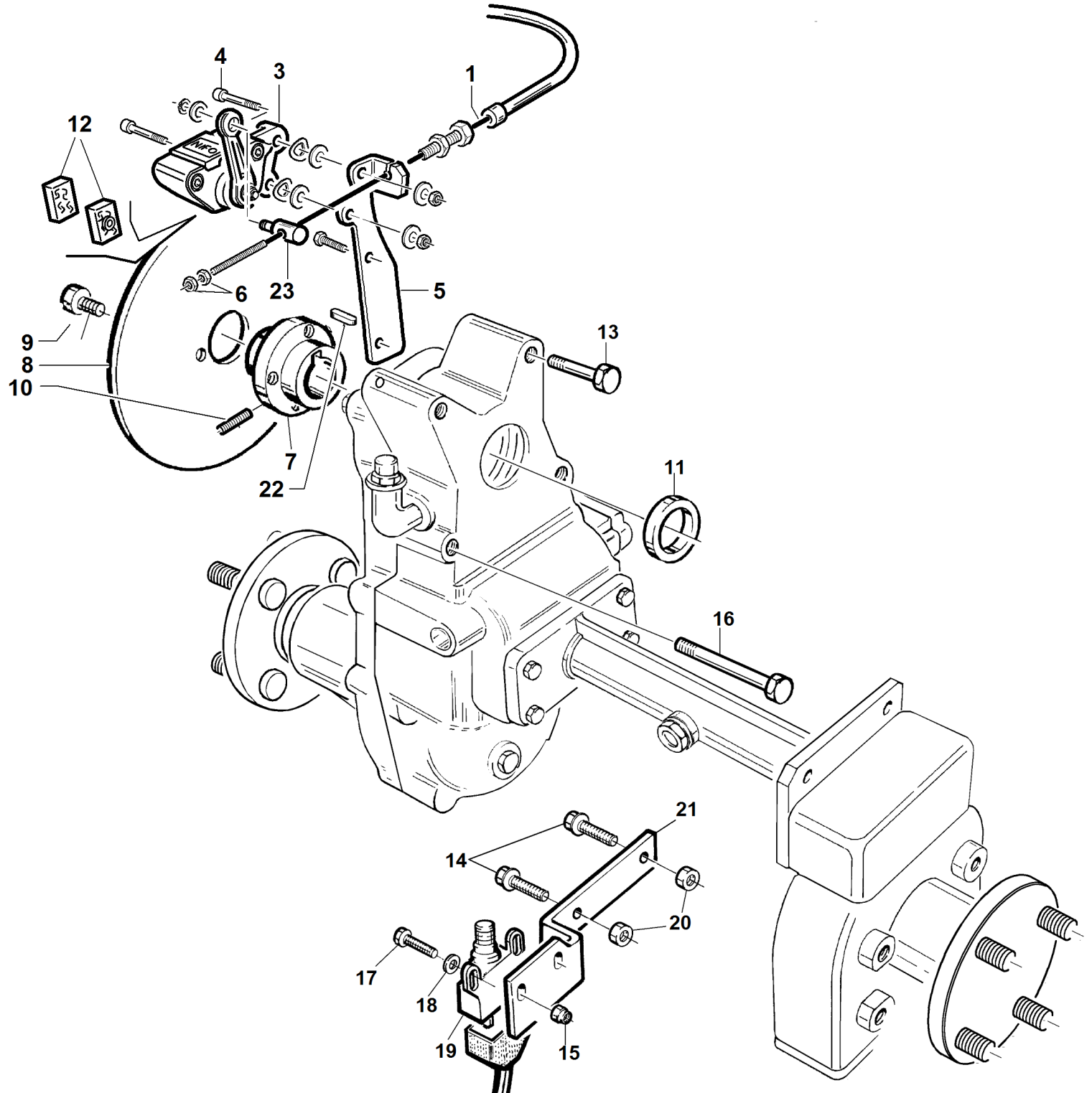
PG/SR



S/N
→ **1105023**

REF. 30 - 00555501061

#	P/N	DESCRIPTION	PG/SR
1	95301000043	PARKING BRAKE CABLE	
2	95599000126		
3	95301000044	NIFO 1D BRAKE CALIPER	
4	95301380000	BRAKE CALIPER SUPPORT BRACKET	
5	95301000041	SUPPORT BRACKET FOR BRAKE CABLE	
6	00111450003	SCREW WASHER M8X20	
7	95042200004	BRAKE DISC HUB	
8	95303220001	BRAKE DISC	
9	00111000184	SCREW TE M5X10	
10	00111960003	GRUB M6X10	
11	00777600188		
12	00777600181	ALLUMINIUM WASHER 1/4	
13	00777306702	VALVE LITTLE COLUMN M 1/8 - F 1/4	
14	00111450001	SCREW WASHER M8X25	
15	00111250006	SELF BL. NUT M4	
16	00111810010	CLAMP 10-16 TYPE NORMA	
17	95303000065	BREATHER HOSE	
18	95303000002	ENGINE SUPPORT	
19	95303000005	ENGINE BUSHING	
20	00111550005	WASHER M10	
21	00111000103	SCREW TE M10X30	
22	00111500010	WASHER 4.3X9X0.8	
23	00111650027	SNAP RING D.19 I	
24	00777230021	OR RING D=2.62 - Di=82.22	
25	00777230020	OR RING D=5.34 - Di=56.52	
26	00111000071	SELF LOCKING NUT M8 UNI 7473	
27	95301000011	MICRO SWITCH SUPPORT PLATE	
28	00777800023	PUSH BUTTON 15117000	
29	00111300019	SCREW TE M4X20	
30	00111900012	TONGUE A 5X5X16	
31	00777600045	WASHER COPPER 1/8	
32	95597160000	DOUBLE BRAKE PADS	
33	95042200003	CENTERING RING	
34	00111300034	SCREW TE M8X115	
35	95301000045		
36	00111000129	SCREW UNI 5737	



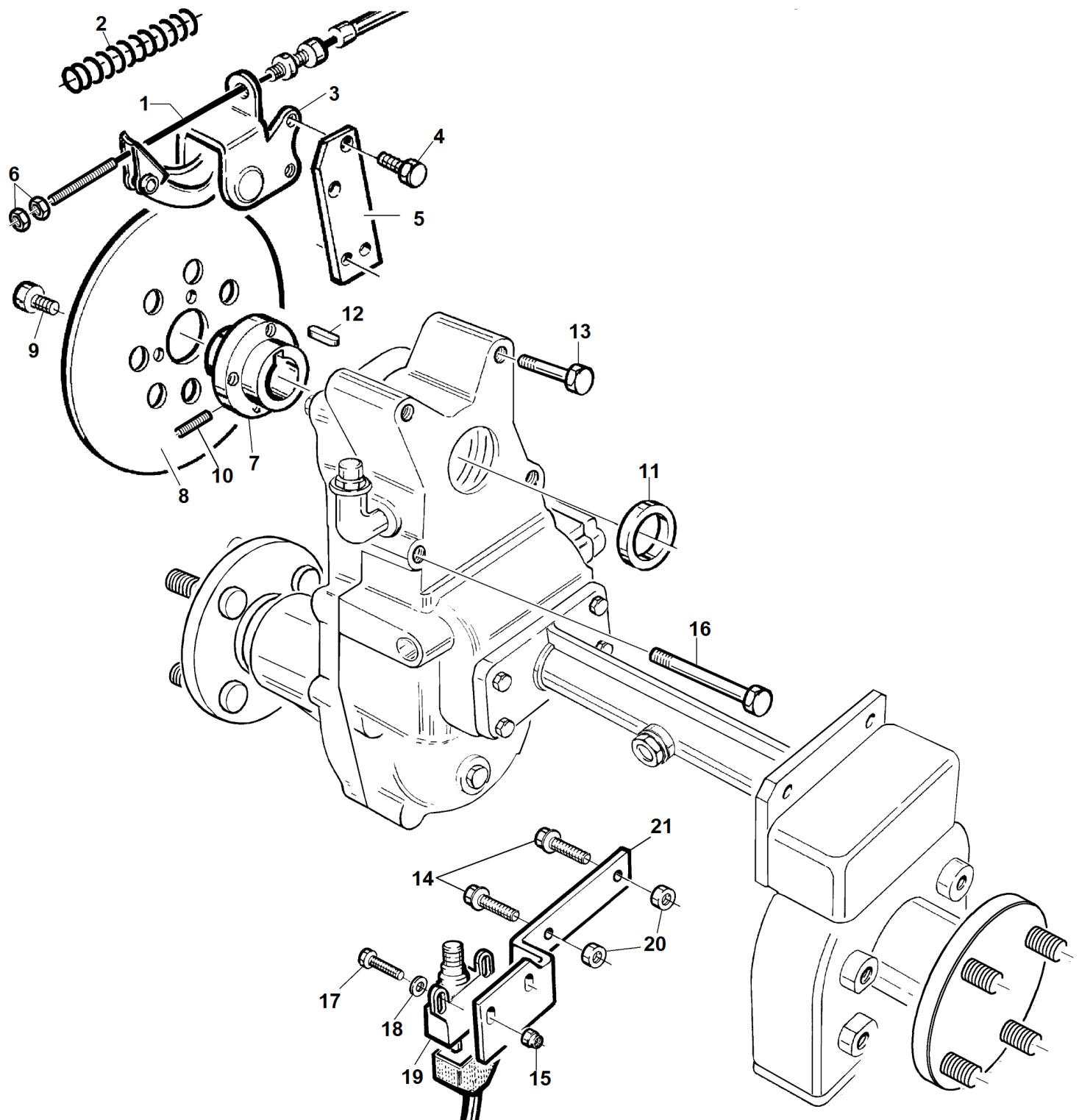
S/N

→ **0805001 ÷ 1105022** ←

→ **08445704 ÷ 09463309** ←

REF. 30 - 00555501053

#	P/N	DESCRIPTION	PG-SR
1	95042000013	HAND BRAKE CABLE	
3	95301000036	CALIPER	
4	00111450005	SCREW/W M6X16	
5	95303221100	CALIPER SUPPORT	
6	00111000155	NUT M6	
7	95042200004	BRAKE DISC HUB	
8	00111990023	BRAKE DISK D.160	
9	00111000184	SCREW TE M5X10	
10	00111960003	GRUB M6X10	
11	95042200003	CENTERING RING	
12	95599000056	DOUBLE BRAKE PADS	
13	00111000129	SCREW UNI 5737	
14	00111450001	SCREW WASHER M8X25	
15	00111250006	SELF BL. NUT M4	
16	00111300034	SCREW TE M8X115	
17	00111300019	SCREW TE M4X20	
18	00111500010	WASHER 4.3X9X0.8	
19	00777800023	PUSH BUTTON 15117000	
20	00111000071	SELF BLO. NUT M8	
21	95301000011	MICRO SWITCH SUPPORT PLATE	
22	00111900012	TONGUE A 5X5X16	
23	95301000038	BRAKE PIN	



S/N

→ **0603001 ÷ 0804049** ←

→ **06401807 ÷ 08445604** ←

REF. 30 - 00555501030

#

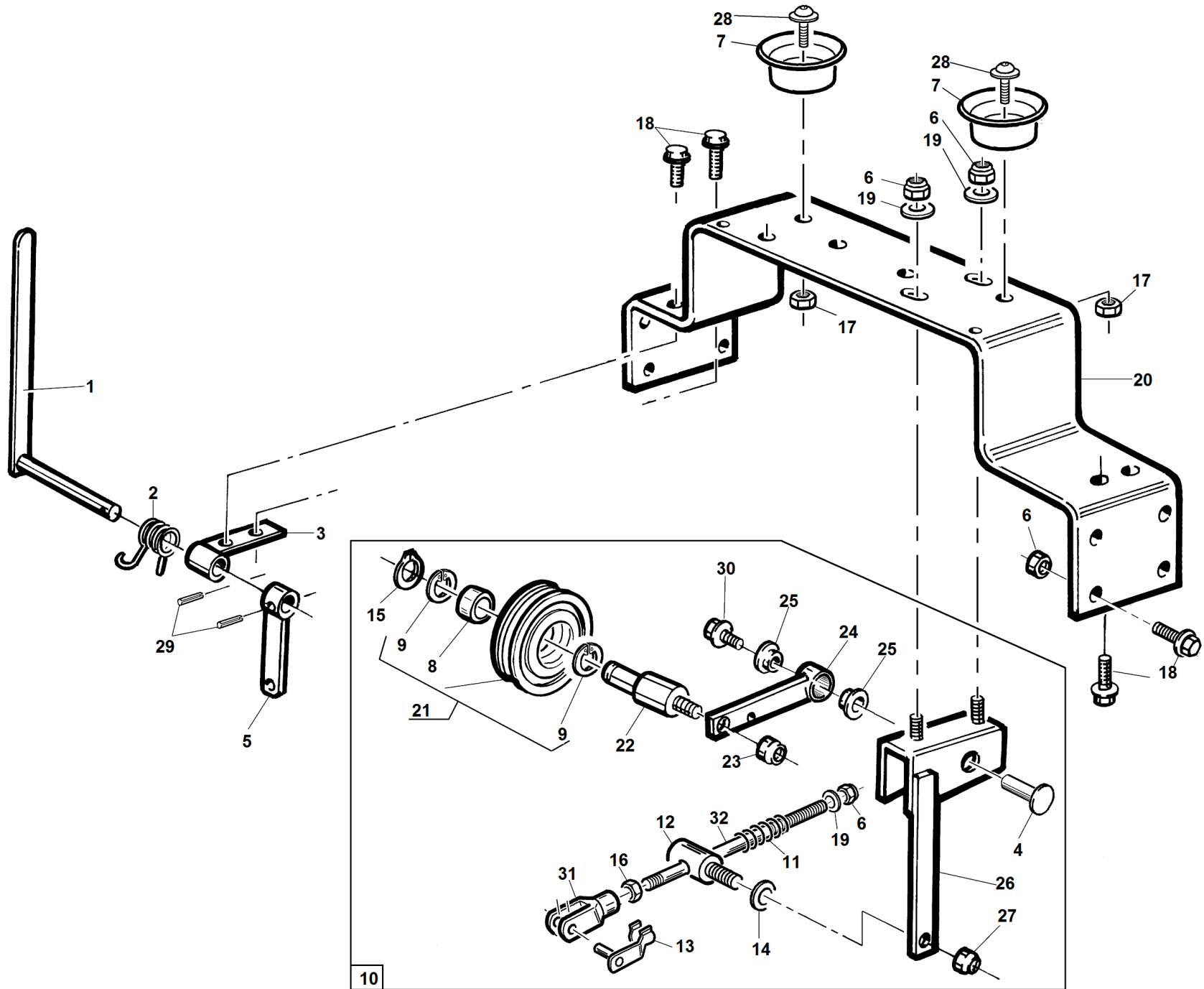
P/N

DESCRIPTION

PG-SR

1	95042000013	HAND BRAKE CABLE	
2	95029000016	BRAKE RECOVERY SPRING	
3	00111990022	RIGHT CALIPER	
4	00111450005	SCREW/W M6X16	
5	95042200005	FLAT IRON FOR BRAKE CALIPER	
6	00111000155	NUT M6	
7	95042200004	BRAKE DISC HUB	
8	00111990023	BRAKE DISK D.160	
9	00111000184	SCREW TE M5X10	
10	00111960003	GRUB M6X10	
11	95042200003	CENTERING RING	
12	00111900012	TONGUE A 5X5X16	
13	00111000129	SCREW UNI 5737	
14	00111450001	SCREW WASHER M8X25	
15	00111250006	SELF BL. NUT M4	
16	00111300034	SCREW TE M8X115	
17	00111300019	SCREW TE M4X20	
18	00111500010	WASHER 4.3X9X0.8	
19	00777800023	PUSH BUTTON 15117000	
20	00111000071	SELF BLO. NUT M8	
21	95301000011	MICRO SWITCH SUPPORT PLATE	

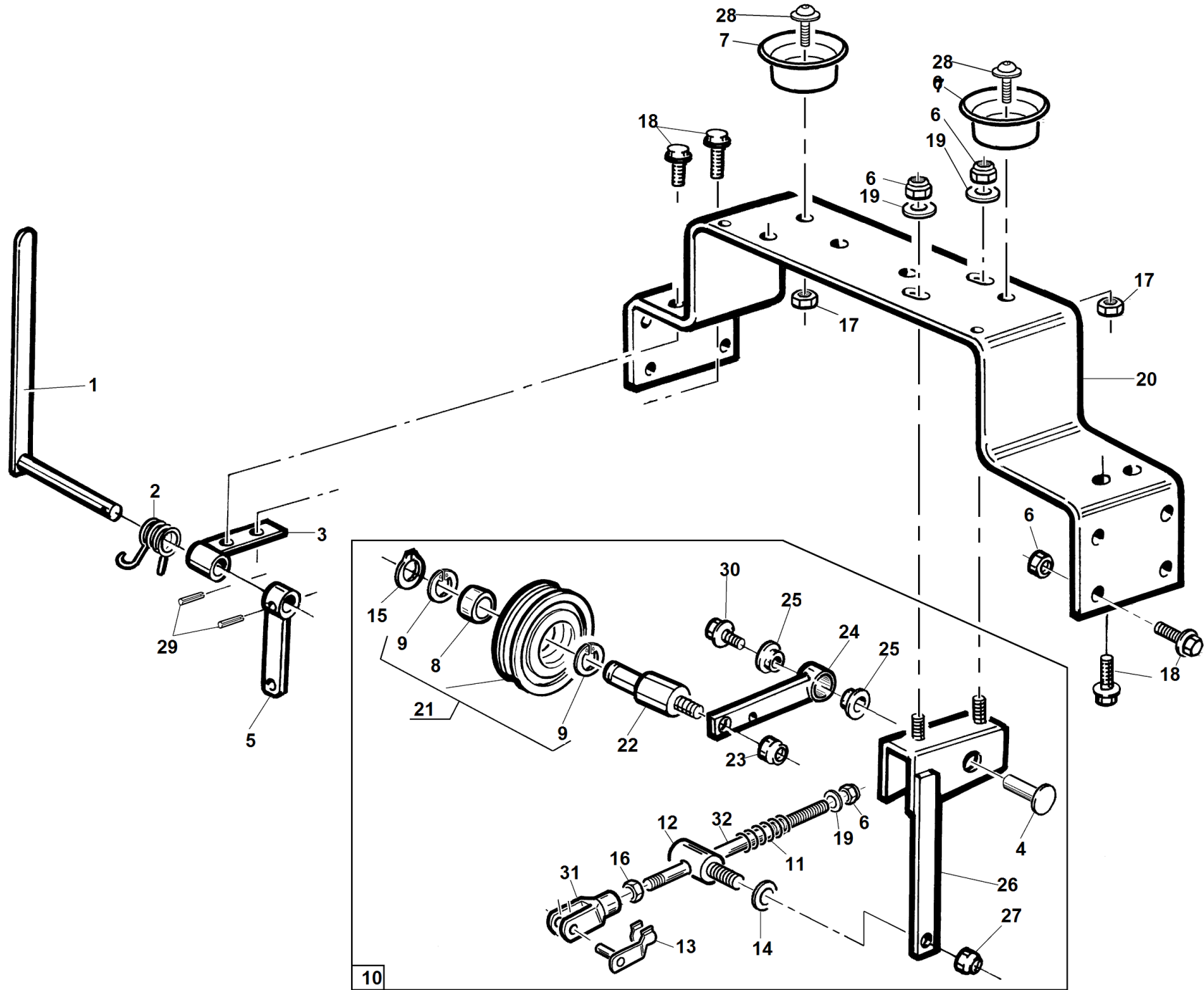
PG-SR



S/N
→07436010

REF. 31 - 00555501043

#	P/N	DESCRIPTION	PG-SR
1	PZ95042187000	SHAFT LEVER	
2	95504000019	SPRING TROLLEY ATTACHM.	
3	PZ95042183000	BY-PASS LEVER SUPPORT	
4	95200200001	TIGHTENER PIN	
5	PZ95042184000	LEVER BY PASS	
6	00111000071	SELF BLO. NUT M8	
7	95301000001	CENTRING DUMPER MEMBER	
8	00777100005	KOYO BEARING 6202 2RS	
9	00111650005	SNAP RING D.35 I	
10	95311210000	HYDRO.GROUP BELT TIGHTENER	
11	94500000088	PTO TIGHTENER SPRING	
12	94010820000	SPRING TENSION DRILL ROD	
13	00777180001	FORKED PIN D.8	
14	00111500001	WASHER 10.5X21X2	
15	00111650004	SNAP RING D.15 E	
16	00111000082	NUT M8	
17	00111000166	SELF BL. SCREW M6	
18	00111450003	SCREW WASHER M8X20	
19	00111000087	WASHER P.8,4X15.6X1,5	
20	95042181002	UPPER SUPPORT PLATE	
21	95599650000	TIGHTENER PULLEY PG	
22	95311110001	TIGHTENER PIN	
23	00111250002	SELF BL. NUT M12	
24	95200201000	TIGHTENER BELT LEVER	
25	00111530006	BUSHING 15X17X12	
26	95200201100	BELT TIGHTENER SUPPORT	
27	00111000080	SELF BLO. SCREW M10	
28	00111450012	SCREW FR M 6X20	
29	00111700008	PIN ELASTIC D.3X16	
30	00111000059	FAKE SCREW/WASH. M8X14	
31	00777180002	FORK IN M8	
32	95200200002	TIGHTENER STAFF	

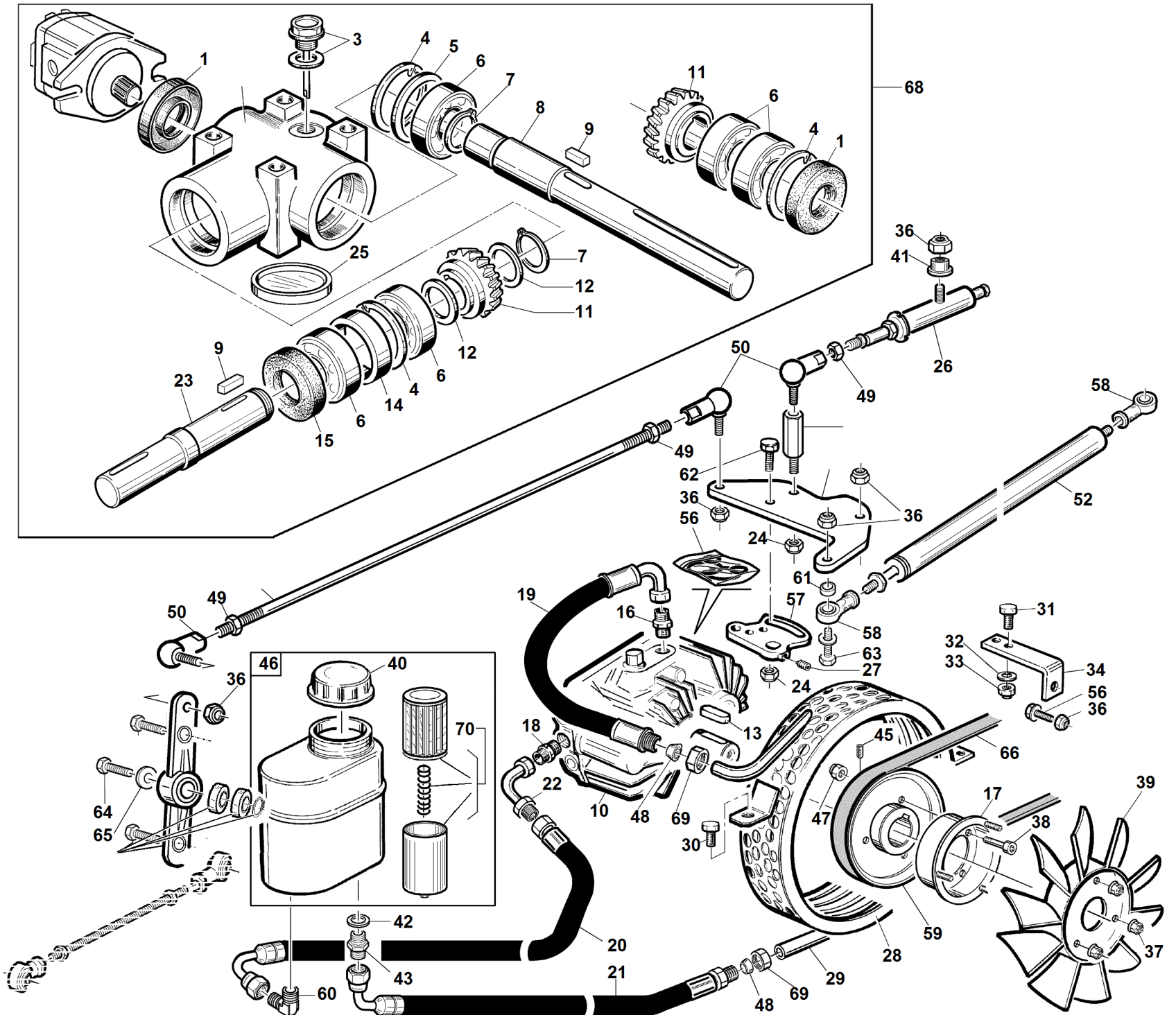


S/N

→06401807÷ 07435910←

REF. 31 - 00555501031

#	P/N	DESCRIPTION	PG-SR
1	PZ95042187000	SHAFT LEVER	
2	95504000019	SPRING TROLLEY ATTACHM.	
3	PZ95042183000	BY-PASS LEVER SUPPORT	
4	95200200001	TIGHTENER PIN	
5	PZ95042184000	LEVER BY PASS	
6	00111000071	SELF BLO. NUT M8	
7	95301000001	CENTRING DUMPER MEMBER	
8	00777100005	KOYO BEARING 6202 2RS	
9	00111650005	SNAP RING D.35 I	
10	95311210000	HYDRO.GROUP BELT TIGHTENER	
11	94500000088	PTO TIGHTENER SPRING	
12	94010820000	SPRING TENSION DRILL ROD	
13	00111000194	FORKED PIN D.8	
14	00111500001	WASHER 10.5X21X2	
15	00111650004	SNAP RING D.15 E	
16	00111000082	NUT M8	
17	00111000166	SELF BL. SCREW M6	
18	00111450003	SCREW WASHER M8X20	
19	00111000087	WASHER P.8,4X15.6X1,5	
20	95042181002	UPPER SUPPORT PLATE	
21	95599650000	TIGHTENER PULLEY PG	
22	95311110001	TIGHTENER PIN	
23	00111250002	SELF BL. NUT M12	
24	95200201000	TIGHTENER BELT LEVER	
25	00111530006	BUSHING 15X17X12	
26	95200201100	BELT TIGHTENER SUPPORT	
27	00111000080	SELF BLO. SCREW M10	
28	00111450012	SCREW FR M 6X20	
29	00111700008	PIN ELASTIC D.3X16	
30	00111000059	FAKE SCREW/WASH. M8X14	
31	00111000196	FORK IN M8	
32	95200200002	TIGHTENER STAFF	



#	P/N	DESCRIPTION	PG-SR	REF. 32 - 00555501032
1	00777250007	SEAL WASHER AS 20X52X10		
3	00111990005	COVER FILLING LEVEL 3/8		
4	00111650009	SNAP RING D.52 I		
5	95598280000	SPACER KIT 42X52		
6	00777100019	KOYO BEARING 6304 SKF		
7	00111000057	SNAP RING D.20 E		
8	00777306501	TRANSMISSION SHAFT		
9	00111900018	TONGUE B6X6X16		
10	00777600021	BDU 10L-222		
11	00777306000	ELIC. BEVEL GEAR PAIR		
12	95598270000	SPACER KIT 20X28		
13	00111900011	TONGUE 5X5X30		
14	00777305103	SPACER 39.2X51.5 L=10.25		
15	00777250006	SEAL WASHER AS 25X52X7		
16	95042200006	PIPE-FITTING 7/8 X 3/8		
17	PZ95049141400	PULLEY FLANGE FIXING		
18	95042200007	PIPE-FITTING 7/16X3/8		
19	00777600052	BDU ASPIRATION HOSE		
20	95042380006	HOSE R1T L=216		
21	95042380005	HOSE L=260		
22	00777600080	ADAPTER 90°GAS M+FG 3/8		
23	00777304701	OUTPUT SHAFT		
24	00111000095	SELF BLO. NUT M8		
25	00777270001	CLOSED CAP 62X7		
26	95042230000	COMPLETE MECC. CYLINDER		
27	00777600023	GRUB LEVER BDU		
28	PC95042290000	AIR CONVEYOR		
29	95042000007	COPPER SERPENTINE 12X1		
30	00111450003	SCREW WASHER M8X20		
31	00111300011	SCREW TE M6X20		
32	00111000037	WASHER 6.6X18X2		
33	00111000166	SELF BL. SCREW M6		
34	PZ95042000006	PLATE SUPPORT		
36	00111000071	SELF BLO. NUT M8		
37	00111250012	SELF BL. NUT METB 5MA		
38	00111400028	ALLEN SCREW M5X14		
39	95049141201	FAN 7CW265		
40	00111970056	OIL TANK PLUG		
41	00111530001	SYNTHETIZE BUSHING 8X10 L=5.5		
42	00777600003	WASHER COPPER 3/8		
43	00777600015	NIPPLE 3/8		
45	00111960003	GRUB M6X10		
46	00111970094	COMPLETE OIL TANK		
47	00111000183	SELF BL. NUT M5		
48	00777600054	OGIVE 12L 100107		
49	00111000082	NUT M8		
50	00777200001	ROUND JOINT AS 13 M8		
52	95042400000	HYDRAULIC CYLINDER		
56	95599630000	GEAR BOX SEAL KIT BDU 10L-222		
57	00777600022	LEVER BDU 321		
58	00777200011	ARTICULATION HEAD CF8 M8x1		
59	95049141300	PULLEY D.101 DIESEL		
60	00777600115	MALE ELBOW 90° 3/8		
61	94500000051	SPACER 10.25X16X10.5		
62	00111300061	SCREW TE M8X20		
63	00111300060	SCREW		
64	00111300043	SCREW TE UNI 5737 M10x45 8.8		
65	00111500013	WASHER P10,5x18x2		
66	00111980034	GATES BELT POWERATED 4L 6842		

#

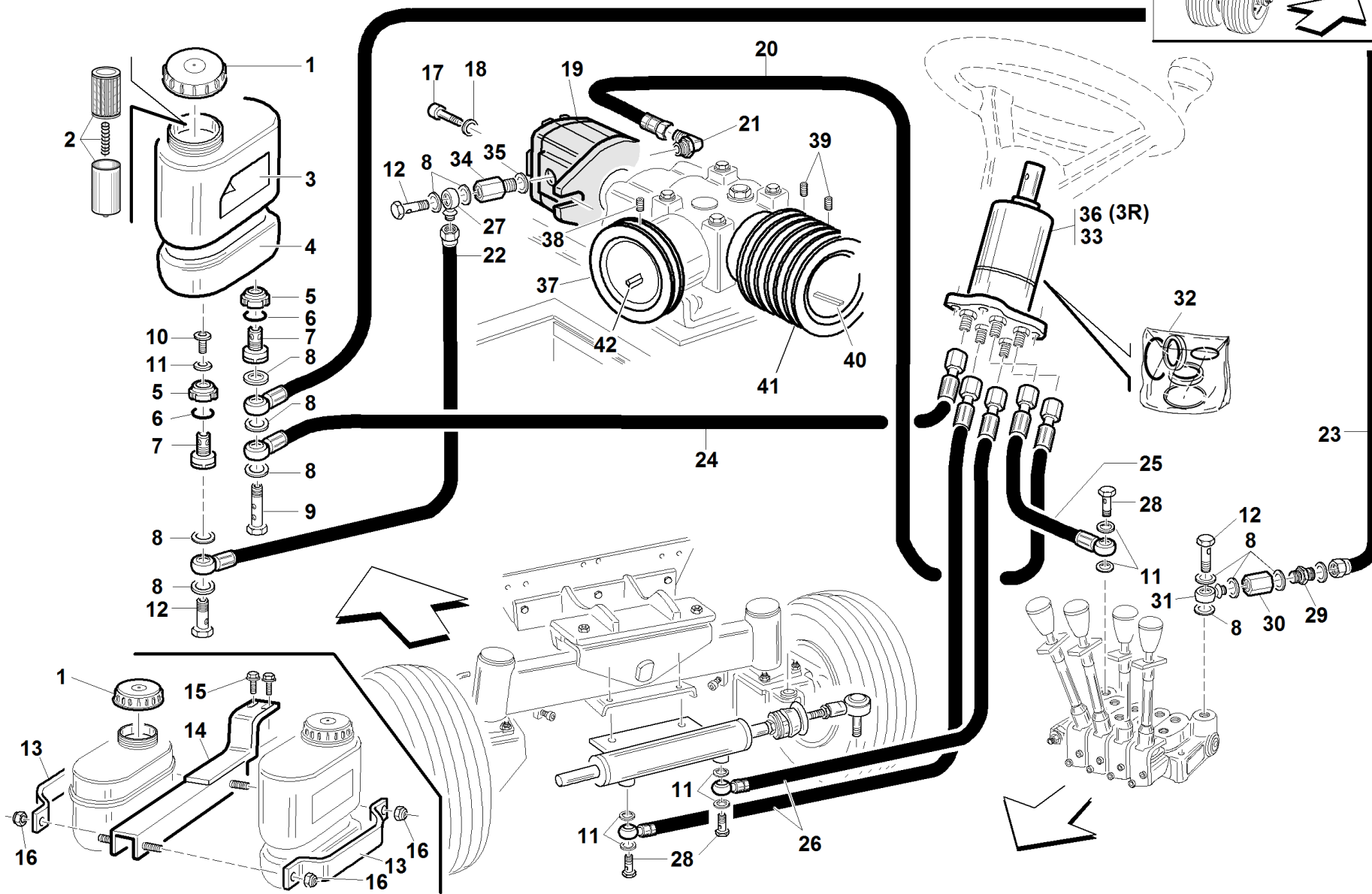
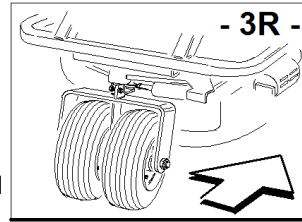
P/N

DESCRIPTION

PG-SR

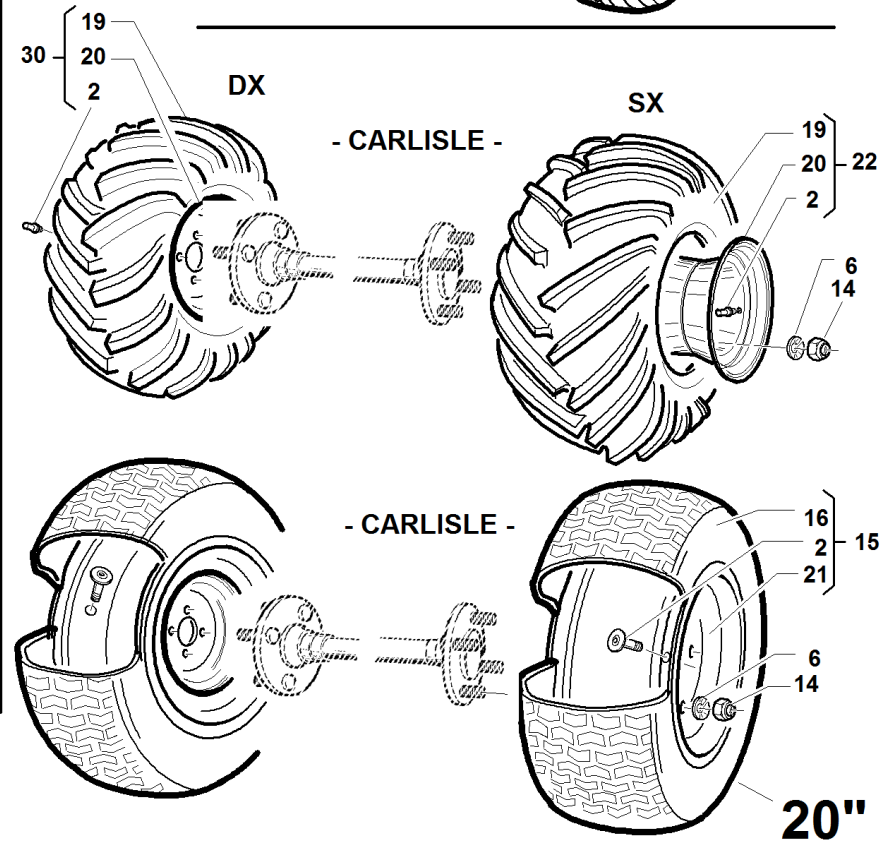
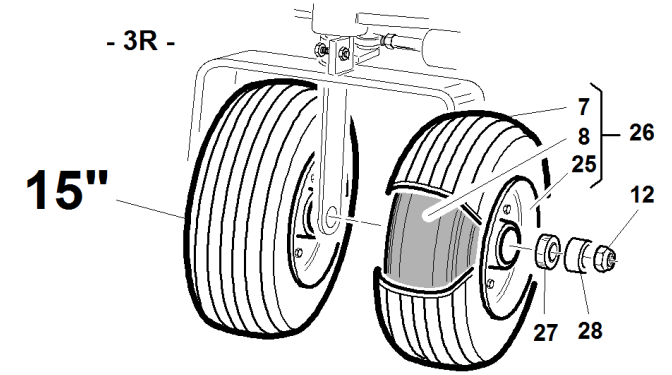
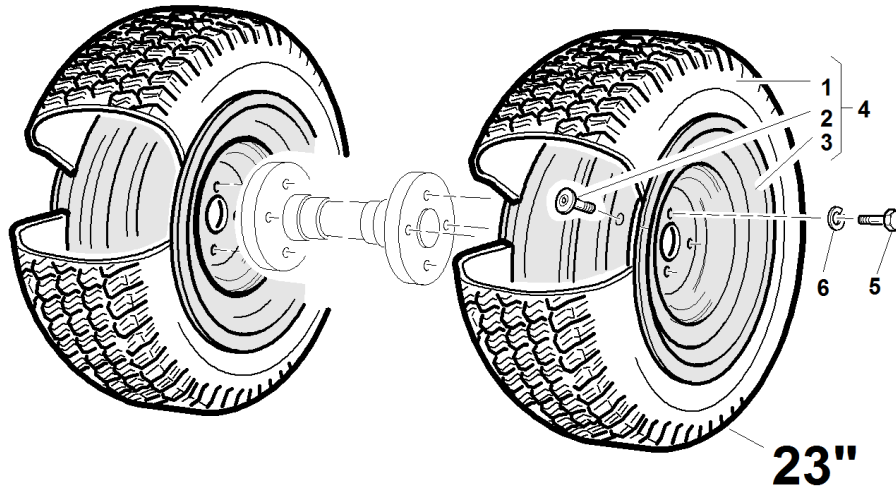
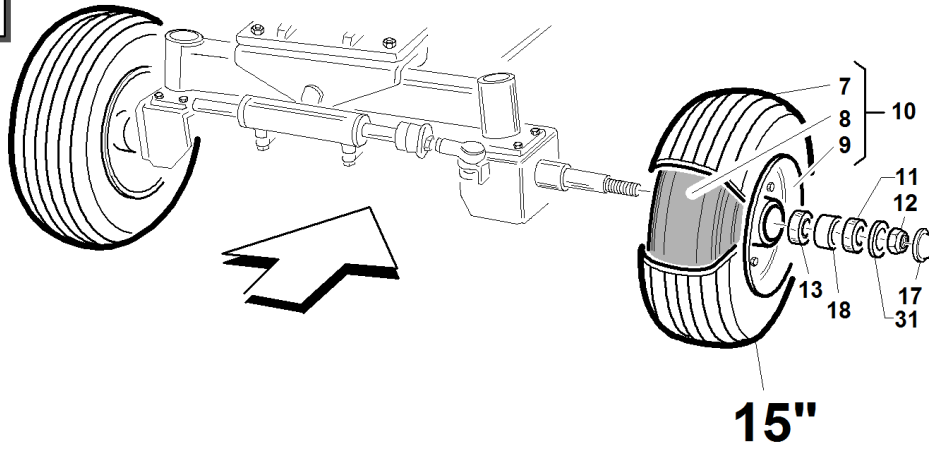
REF. 32 - 00555501032

#	P/N	DESCRIPTION	PG-SR	REF. 32 - 00555501032
68	00777306500	GEAR CASE 3 OUTPUT W/PUMP SUPP.		
69	00777600053	NUT 12 L CODE 100207		
70	95598640000	KIT OIL TANK FILTER		

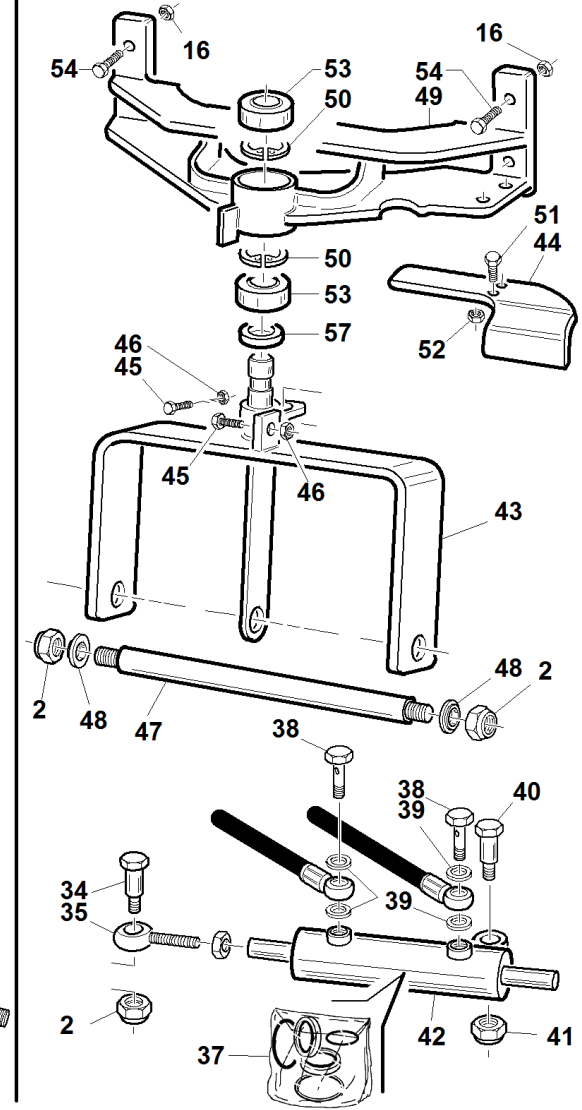
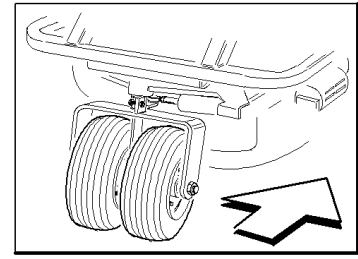
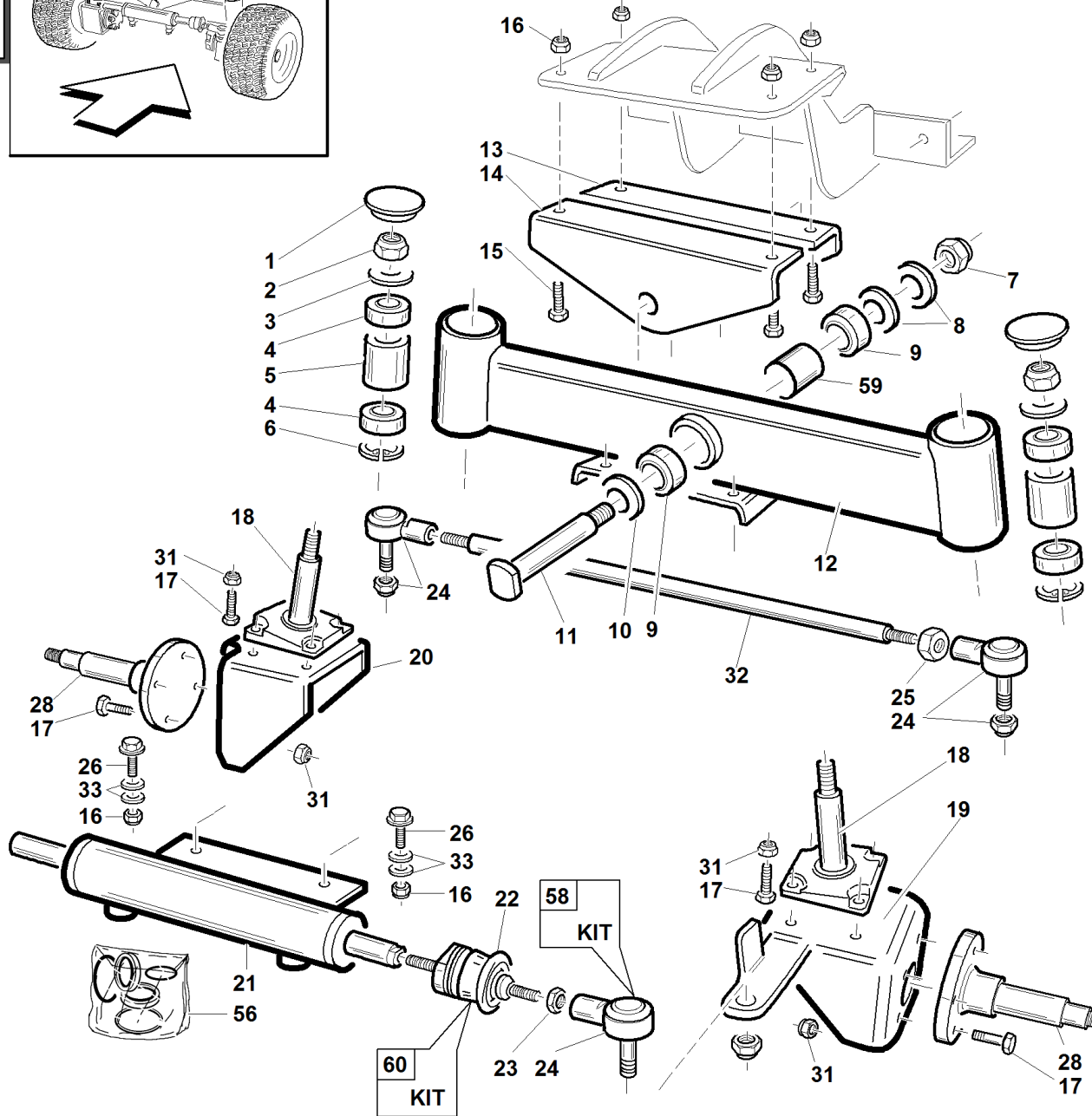
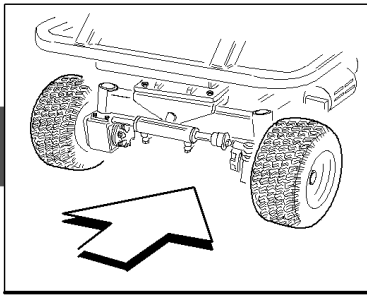


#	P/N	DESCRIPTION	PG-SR
1	00111970056	OIL TANK PLUG	
2	00777650044	FILTER CARTRIDGE	
3	00555200123	TRANSFER PRINTING	
4	94010480000	OIL TANK	
5	00111000189	METAL RING 20X1	
6	00777230004	OR RING 4081	
7	94010000083	OIL TANK CONNECTOR	
8	00777600003	WASHER COPPER 3/8	
9	00777600133	DOUBLE CABLE BOLT	
10	00777600099	CLOSER PLUG 1/4	
11	00777600001	WASHER COPPER 1/4	
12	00777600041	EMPTY SCREW 3/8	
13	PZ95042000005	OIL TANK CLAMP	
14	PZ95060100000	OIL TANK SUPPORT	
15	00111450003	SCREW WASHER M8X20	
16	00111000166	SELF BL. SCREW M6	
17	00111000062	SCREW ALLEN M10x25 8.8 UNI 5931	
18	00111500013	WASHER P10,5x18x2	
19	00777600145	PG/SR OIL PUMP	
20	95301000025	HOSE	
21	00777600146	ADAPTER 90° 3/8 GAS ADJUSTABLE	
22	95303000055	HOSE	
23	95042380008	HOSE R17 L=920	
24	95301000024	HOSE	
25	95301000023	HOSE	
26	95301000022	HOSE	
27	00777600081	THREADED EYE 3/8 x 3/8	
28	00777600040	SIMPLE CABLE BOLT	
29	00777600147	NIPPLE 1/4-3/8 2 ORIFICE	
30	00777600138	EXTENSION 1/4 L=35	
31	00777600141	METAL EYELET 3/8	
32	95599620000	GASKET KIT	
33	95303000027	HYDRAULIC STEERING SERVOCONTROL	
34	00777600085	REDUCTION M3/4-16 F3/8 L.28	
35	00777230013	OR RING 119	
36	95325000003	HYDRAULIC STEERING SERVOCONTROL	
37	95049151100	PULLEY D.101 DIESEL	
38	00111960003	GRUB M6X10	
39	00111960002	GRUB M8X16	
40	00111900007	TONGUE A 6X6X40	
41	95302100006	PULLEY 6 RACES	
42	00111900001	TONGUE A 6X6X25	

PG-SR



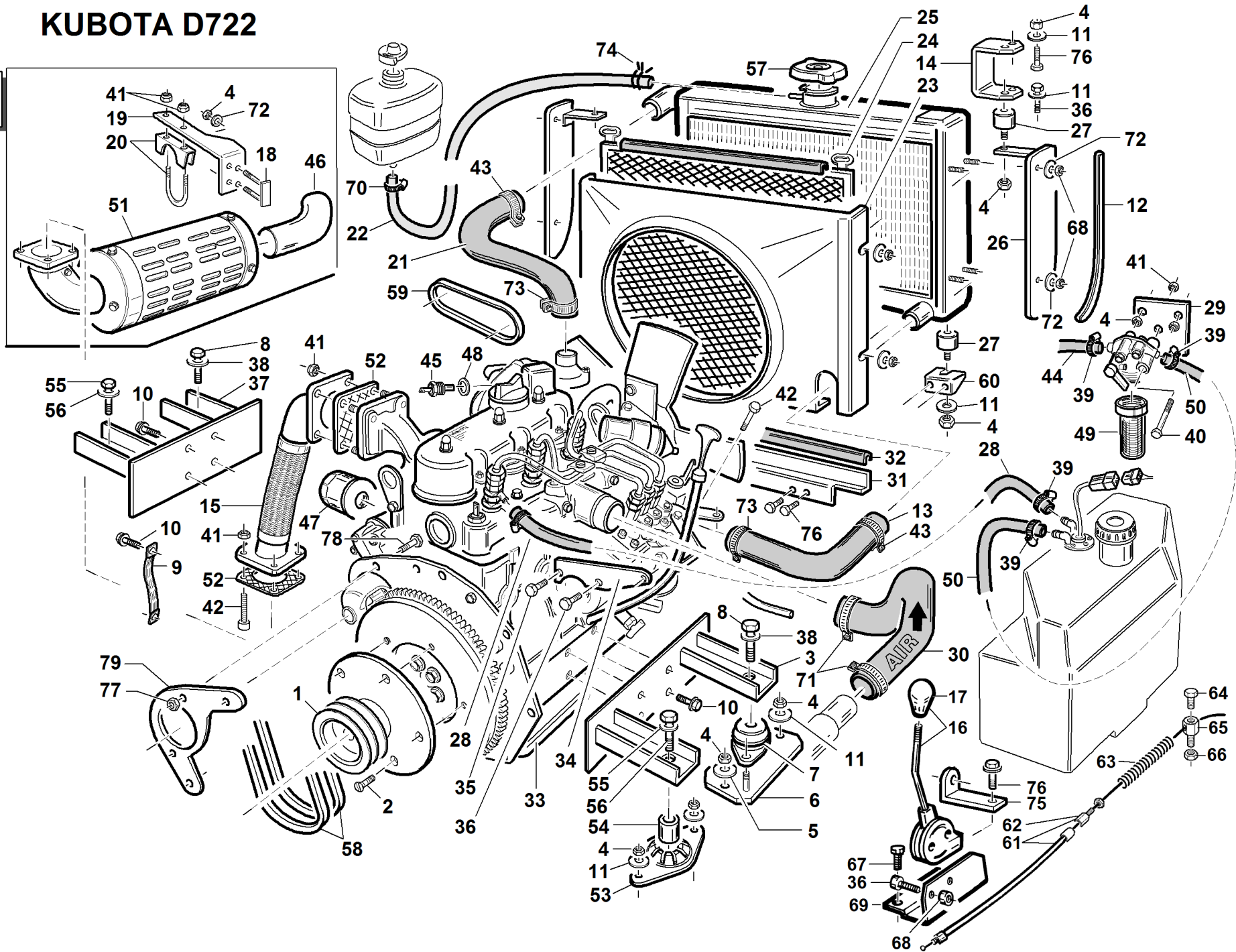
#	P/N	DESCRIPTION	PG-SR
1	00111940024	23X10,50-12 TIRE	
2	00111930006	TUBELESS VALVE TR413	
3	95303130001	RIM 8.50X12	
4	95303130000	23X10.50-12 WHEEL	
5	00111300055	SCREW TE M12X1,25X25	
6	00111550004	ELASTIC WASHER M12	
7	00111940025	CARLISLE STRAIGHTRIB 15X6.00-6	
8	00111930005	INNER TUBE 15,6.00X6" TR13	
9	95311121000	RIM 15x6.00-6	
10	95311120000	WHEEL CARLISLE 15X6.00-6	
11	00777100008	BEARING 6204 2RS 20x47x14	
12	00111250011	SELF BL. NUT M14x1,5	
13	00777100028	KOYO BEARING 6303 2RS	
14	00111250009	SELF BL. NUT M12X1.5	
15	95208110000	CARLISE WHEEL 20X10.00-8	
16	95208110001	20x10.00-8 TYRE	
17	00777270005	CAP D=47	
18	95311121001	SPACER 21X30X35	
19	00111940021	21x11.00-8 CLAWED TIRE	
20	95175100000	RIM 10.00 X 8" L=266	
21	95046200001	RIM 7.00X8	
22	95218110000	LEFT COMPLETE WHEEL 21x11.00-8	
25	95046100001	"RIM 5,00X6""	
26	95325120000	CARLISLE PG WHEEL 15X6.00-6	
27	00777100005	KOYO BEARING 6202 2RS	
28	95599000030	SPACER	
30	95218100000	WHEEL DX21X11.00-8 CARLISLE	
31	95303110004	SPACER D14.5XD35X3	



#	P/N	DESCRIPTION	PG-SR
1	94500000087	INSIDE BEARING PROTECTION	
2	00111250011	SELF BL. NUT M14x1,5	
3	95303110004	SPACER D14.5XD35X3	
4	00777100012	BEARING 6006 2RS 30X55X13	
5	95303110005	SPACER D31 XD36 X45	
6	00111650003	SNAP RING D.55 I	
7	00111250007	SELF BL. NUT M20X1.5	
8	95303110003	SPACER D20.5X D35X3	
9	00777100053	BEARING 61906 30X47X9	
10	95303110001	SPACER D30.3 X D38 X3	
11	95303110002	AXLE PIN	
12	95301200000	REAR COMPLETE AXLE	
13	95303000009	FRONT FORK	
14	95303000010	REAR FORK	
15	00111000103	SCREW TE M10X30	
16	00111250013	SELF BL.NUT M10	
17	00111300052	SCREW TE UNI 5739	
18	95303110007	STEERING PIN	
19	95311161100	RIGHT REAR WHEEL SHAFT SUPPORT	
20	95311161000	LEFT WHEEL SHAFT SUPPORT	
21	95301000013	STEERING HYDRAULIC JACK	
22	00777200024	AXLE ARTICULATION M14X1.5	
23	00111150024	NUT M12X1.25 - 6S	
24	00777200023	STEERING ARTICULATION M12X1.25	
25	00111500027	NUT M12X1.25	
26	00111300084	SCREW TE M10X35	
28	95311160001	WHEEL SHAFT 2WD	
31	00111250025	NUT METB 8MA	
32	95303000011	TIE ROD STEERING	
33	00111550005	WASHER M10	
34	95097000008	SHAFT TYE-ROD STEERING	
35	00777200016	BIG END OF THE CONNECTING ROD TM14	
36	00111250011	SELF BL. NUT M14x1,5	
37	95599170000	CYLINDER GASKETS KIT	
38	00777600040	SIMPLE CABLE BOLT	
39	00777600001	WASHER COPPER 1/4	
40	95060000001	FIXING SCREW CYLINDER	
41	00111250008	SELF LOCKING NUT M12 UNI 7473	
42	95097200000	DOUBLE STEM CYLINDER	
43	95598130000	DOUBLE WHEEL FORK KIT	
44	95325000002	STEERING CYLINDER PROTECTION	
45	00111000033	SCREW TE M8X30	
46	00111000082	NUT M8	
47	95325000001	WHEEL SHAFT	
48	95500000075	REAR WHEEL SPACER	
49	95325100000	WHEEL FORK SUPPORT	
50	00111650037	SNAP RING E X Ø25 UNI 7435	
51	00111450002	SCREW WASHER M8X30	
52	00111000071	SELF LOCKING NUT M8 UNI 7473	
53	00777100001	KOYO BEARING 6205 2RS	
54	00111300029	SCREW TE M10X55	
56	95599610000	OIL SEAL KIT	
57	95325000004	SPACER 25.5X40X6	
58	95598240000	STEER. ARTICUL. GUARD KIT (00777200023)	
59	95303110006	SPACER Ø31XØ36X72	
60	95597260000	AXIAL JOINT GUARD KIT (00777200024)	

KUBOTA D722

PG-SR



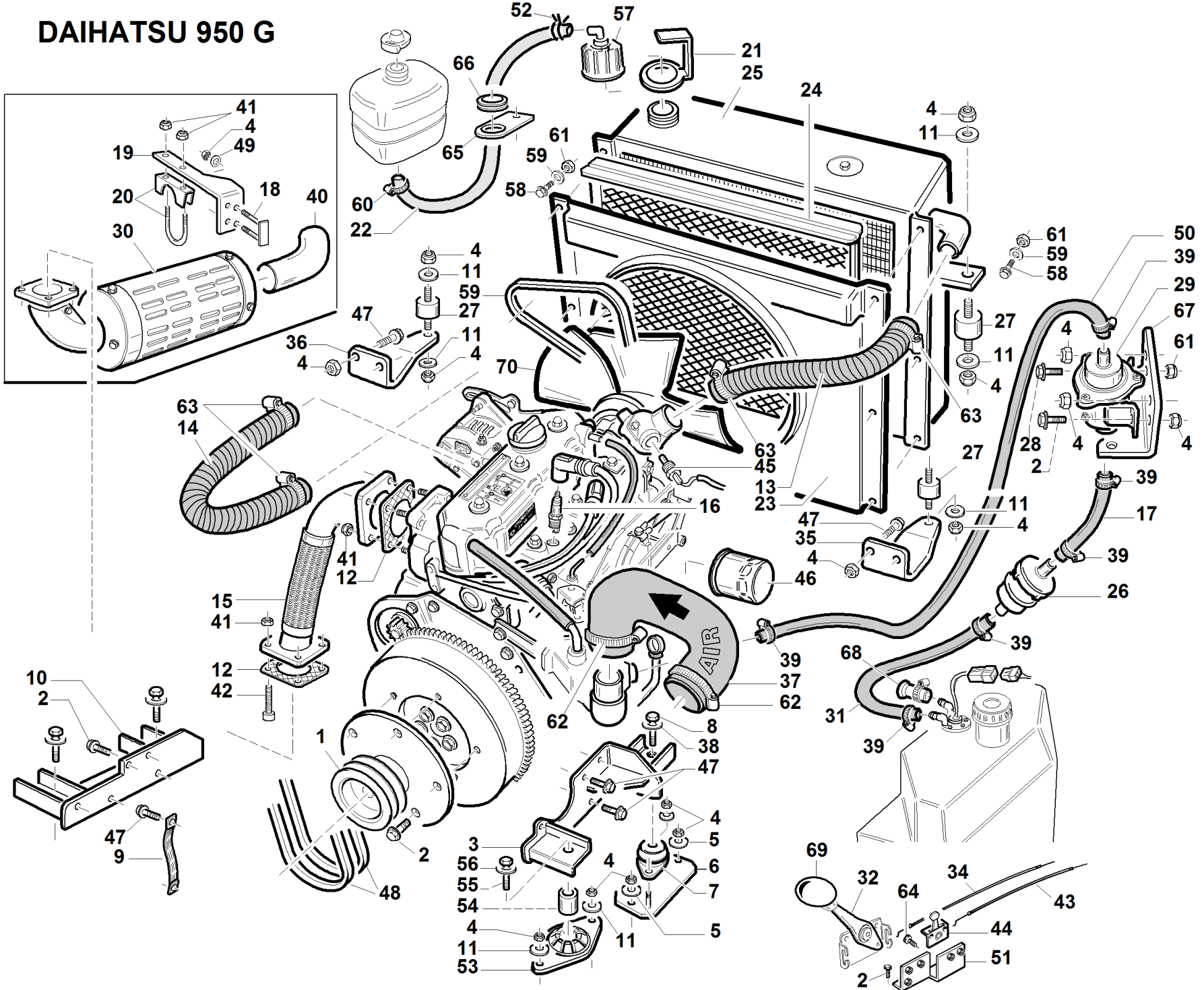
#	P/N	DESCRIPTION	PG-SR
1	95309000001	KUBOTA ENGINE PULLEY	
2	00111000093	SCREW TE M8X20	
3	95124100000	LEFT ENGINE SUPPORT	
4	00111000071	SELF BLO. NUT M8	
5	00111000132	WASHER P. 8,4X32X2,5 ZNT	
6	95124210000	SUPPORT PLATE	
7	00111970104	VIBRATION-DUMPING ENGINE	
8	00111300041	SCREW UNI 5739	
9	00777800052	WEIGHT PLATE mm.210	
10	00111400031	SCREW TCEI	
11	00111000061	WASHER 8.4X24X2	
12	95049000021	WASHER 229/6 L=360	
13	95124000013	RADIATOR OUTGOING HOSE	
14	95309000002	KUBOTA RADIATOR SUPPORT	
15	95201110000	FLANGED HOSE	
16	95049171000	DIESEL ACCELERATOR LEVER COMPL.	
17	00111990034	ROUND KNOB M8	
18	95124160000	MUFFLER FIXING PLATE	
19	95124000008	MUFFLER SUPPORT BRACKET	
20	00111810025	EXHAUST CLAMP D=42	
21	95124000006	RADIATOR ENTRY HOSE	
22	95124000017	WATER RECOVERY TANK PIPE	
23	95124000001	KUBOTA AIR CONVEYOR	
24	95201120000	RADIATOR CLEANING GRID	
25	95124000002	KUBOTA RADIATOR	
26	PC95049000011	RADIATOR SIDE CLOSING	
27	00111970127	STOPPER M8 D30X20	
28	95201000008	DIESEL RECOVERY PIPE	
29	95124000018	DIESEL FILTER SUPPORT	
30	95124000007	KUBOTA AIR FILTER HOSE	
31	PZ95049000002	RADIATOR FIXING PLATE	
32	95049000020	WASHER 229/6 L=500	
33	00777700019	KUBOTA ENGINE 20 HP	
34	95124000009	ACCELERATOR CABLE BRACKET	
35	00111000034	SCREW TE M6X10	
36	00111000059	FAKE SCREW/WASH. M8X14	
37	95124110000	RIGHT ENGINE SUPPORT	
38	00111550003	ELASTIC WASHER M12	
39	00111810010	CLAMP 10-16 TYPE NORMA	
40	00111300025	SCREW TE M6X50	
41	00111250018	NUT "CONEKLOK" M8	
42	00111000094	SCREW TE M8X40	
43	00111810033	CLAMP INOX 25-40	
44	95124000012	DIESEL HOSE L=600	
45	00777800123	WATER TEMPERATURE SENSOR	
46	00111990079	KUBOTA EXHAUST END	
47	00777650046	KUBOTA ENGINE OIL FILTER	
48	00777600003	WASHER COPPER 3/8	
49	00777650047	KUBOTA FUEL FILTER	
50	95201000007	DIESEL INTAKE TUBE	
51	00111990077	KUBOTA EXHAUST KIT	
52	00111990086	KUBOTA MAINFOLD EXHAUST GASKET	
53	00111970050	ENGINE VIBRATIONS-DUMPING BLOCK	
54	95124220001	SPACER D=25X8 L=27	
55	00111000031	SCREW TE M8X65	
56	00111000179	GROWER WASHER M8	
57	95049230001	RADIATORE CAP 1/BAR	
58	95599520000	DAYSCO SPAX900 BELTS KIT	
59	00111980028	BELT KUBOTA	

#	P/N	DESCRIPTION	PG-SR
---	-----	-------------	-------

60	PZ95500151100	SUPPORT ANGLE BAR	
61	95124190001	KUBOTA ACCELERATOR CABLE	
62	95124000015	ACCELERATOR CABLE REGISTER	
63	95124000016	ACCELERATOR RECOVERY SPRING	
64	00111000184	SCREW TE M5X10	
65	95124000014	LOCK ACCELERATOR CABLE	
66	00111000035	SELF BLOC. NUT M6	
67	00111000014	SCREW TSPEI M6X16	
68	00111000166	SELF BL. SCREW M6	
69	PZ95060000003	DIESEL ACCEL.SUPPORT	
70	00111810008	CLAMP 12-20 TYPE NORMA	
71	00111810034	CLAMP INOX 32X50	
72	00111000037	WASHER 6.6X18X2	
73	00111810013	CLAMP 20-32 TYPE NORMA	
74	00111810015	CLAMP	
75	PZ95514111301	PROTECTION CROWN SUPPORT	
76	00111450003	SCREW WASHER M8X20	
77	00111250014	SELF BL. NUT M8	
78	00111300060	SCREW	
79	95309000005	KUBOTA RENFORCEMENT PLATE	

DAIHATSU 950 G

PG/SR



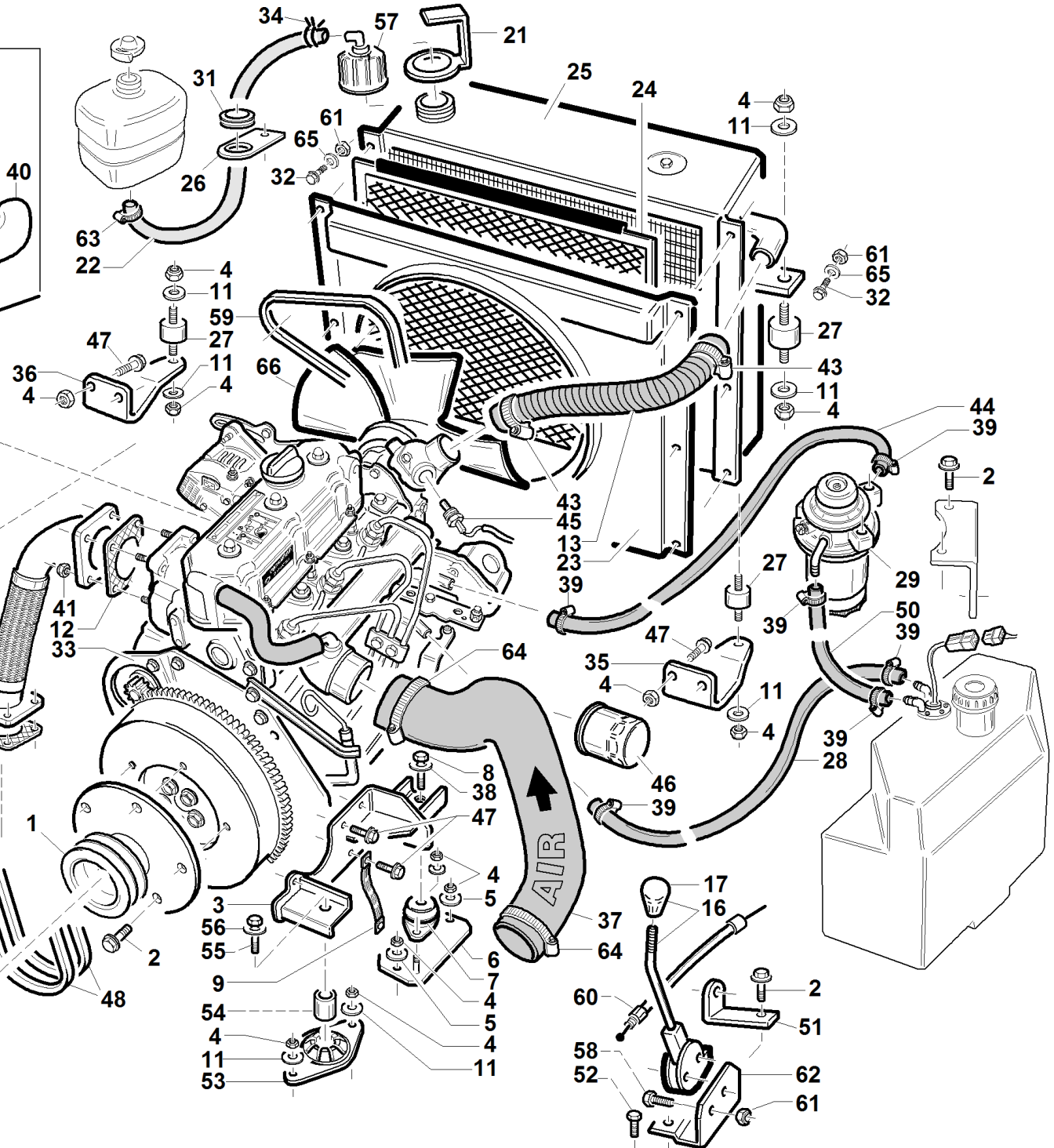
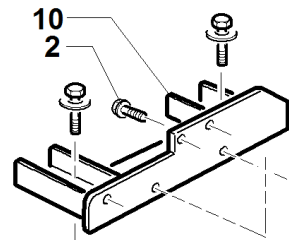
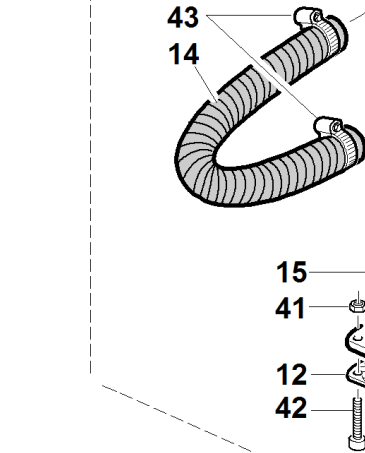
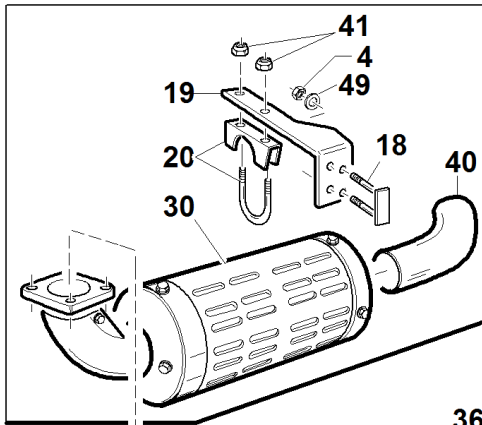
#	P/N	DESCRIPTION	PG/SR	REF. 37 - 00555501037
1	95304000003	DIESEL ENGINE PULLEY (DAIHATSU)		
2	00111450003	SCREW WASHER M8X20		
3	95304110000	LEFT DAIHATSU ENGINE SUPPORT		
4	00111000071	SELF BLO. NUT M8		
5	00111000132	WASHER P. 8,4X32X2,5 ZNT		
6	95124210000	SUPPORT PLATE		
7	00111970104	VIBRATION-DUMPING ENGINE		
8	00111300041	SCREW UNI 5739		
9	00777800052	WEIGHT PLATE mm.210		
10	95304100000	RIGHT DAIHATSU ENGINE SUPPORT		
11	00111000061	WASHER 8.4X24X2		
12	00111990114	MUFFLER COLLECTOR GASKET		
13	95304000007	RADIATOR OUT HOSE		
14	95304000006	RADIATOR INTAKE HOSE		
15	95315000001	MUFFLER COLLECTOR		
16	00777750001	SPARK PLUG 491055		
17	95317000002	PETROL HOSE		
18	95124160000	MUFFLER FIXING PLATE		
19	95124000008	MUFFLER SUPPORT BRACKET		
20	00111810025	EXHAUST CLAMP D=42		
21	95304000012	RADIATOR PROTECTION CAP		
22	95124000017	WATER RECOVERY TANK PIPE		
23	95303000056	RADIATOR CONVEYOR		
24	95315130000	RADIATOR CLEANING GRID		
25	95315000003	DAIHATSU RADIATOR		
26	95599970000	FUEL FILTER DAIHATSU ENGINE		
27	00111970119	VIBRATION-DAMPING STOPPER M8 H=20		
28	00111450005	SCREW/W M6X16		
29	95599960000	DAIHATSU 950G FUEL PUMP		
30	95599000043	DAIHATSU EXHAUST		
31	95317000003	PETROL HOSE		
32	00111990104	THROTTLE LEVER WITH BLACK KNOB		
34	95179000001	KOHLER ACCELERATOR CABLE		
35	95303000023	RADIATOR SX SUPPORT		
36	95303000022	RADIATOR DX SUPPORT		
37	95317000001	ENGINE ASPIRATION SLEEVE		
38	00111550003	ELASTIC WASHER M12		
39	00111810010	CLAMP 10-16 TYPE NORMA		
40	95304000004	DAIHATSU EXHAUST END		
41	00111250018	NUT "CONEKLOK" M8		
42	00111400022	ALLEN SCREW		
43	95104000005	COMPLETE CABLE		
44	00111000192	ACCELERATOR LEVER		
45	00777800123	WATER TEMPERATURE SENSOR		
46	00777650062	DAIHATSU ENGINE OIL FILTER		
47	00111450001	SCREW WASHER M8X25		
48	95598530000	QUAD POWER III XPA932 BELTS KIT		
49	00111000037	WASHER 6.6X18X2		
50	95317000004	PETROL HOSE		
51	PZ95070110000	ACCELERATOR SUPPORT		
52	00111810015	CLAMP		
53	00111970050	ENGINE VIBRATIONS-DUMPING BLOCK		
54	95124220001	SPACER D=25X8 L=27		
55	00111000031	SCREW TE M8X65		
56	00111000179	GROWER WASHER M8		
57	95599000042	RADIATOR CAP		
58	00111300011	SCREW TE M6X20		
59	00111980033	DAIHATSU ALTERNATOR BELT		
60	00111810008	CLAMP 12-20 TYPE NORMA		

P/N DESCRIPTION

PG/SR

61	00111000166	SELF BL. SCREW M6
62	00111810034	CLAMP INOX 32X50
63	00111810033	CLAMP INOX 25-40
64	00111000184	SCREW TE M5X10
65	95315000004	WATER HOSE SUPPORT
66	00111970185	CABLE HOLDER Øe20/22 - Øi15
67	95304000005	DIESEL FILTER SUPPORT
68	95210000011	FUEL RETURN CAP
69	00111610004	BLACK ACCELERATOR LEVER
70	00111970194	FAN Ø310 DAIHATSU

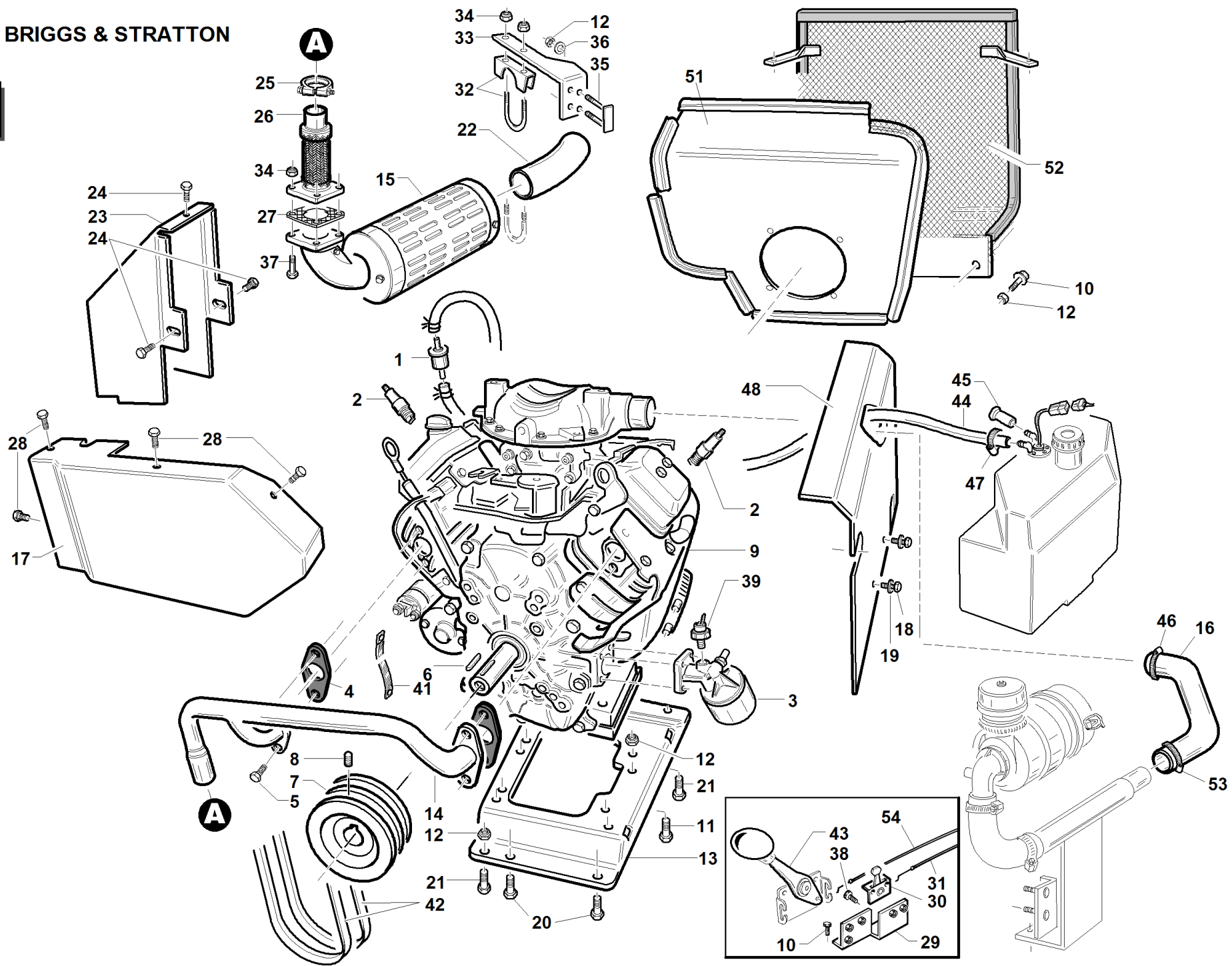
DAIHATSU 950 D



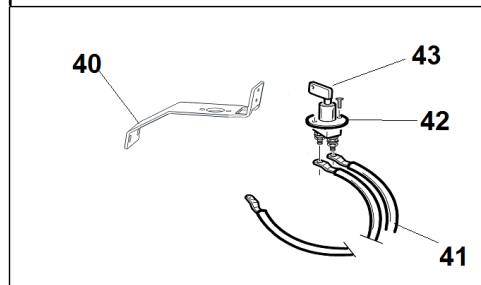
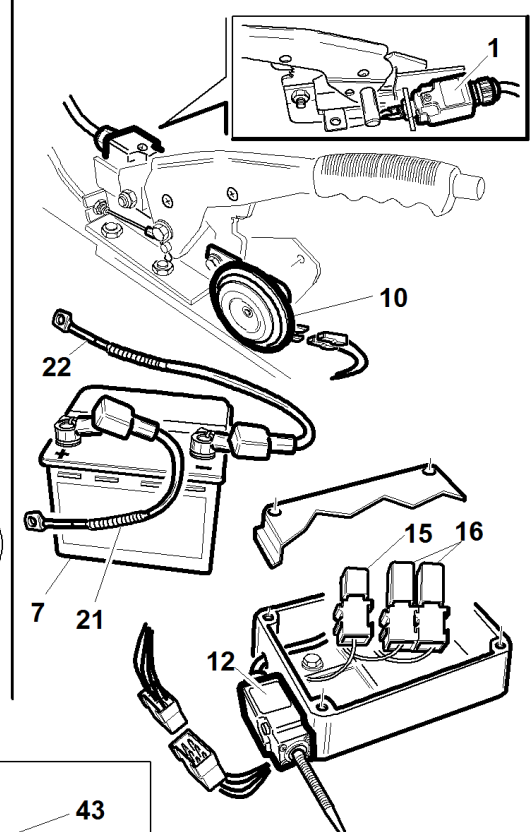
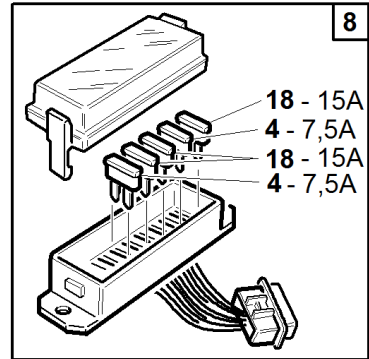
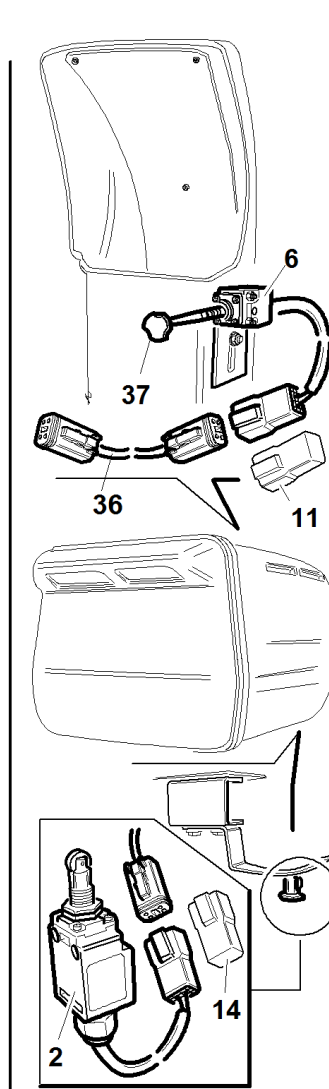
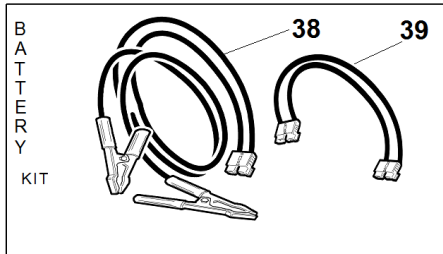
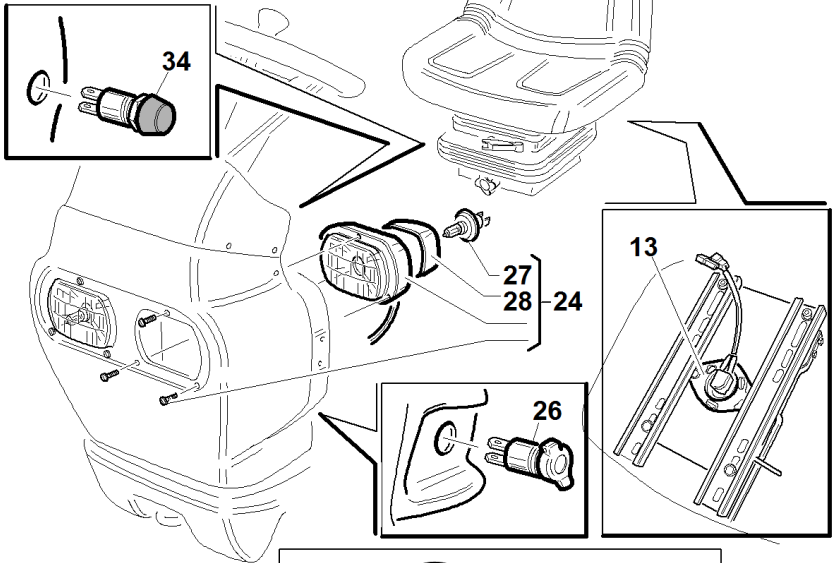
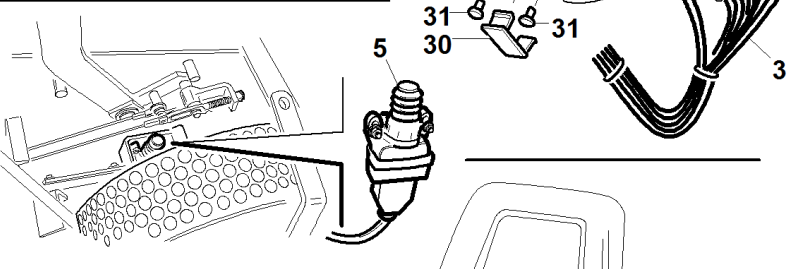
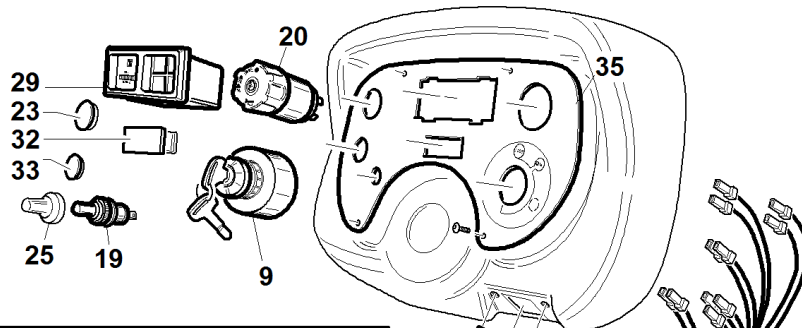
#	P/N	DESCRIPTION	PG-SR	REF. 38 - 00555501038
1	95304000003	DIESEL ENGINE PULLEY (DAIHATSU)		
2	00111450003	SCREW WASHER M8X20		
3	95304110000	LEFT DAIHATSU ENGINE SUPPORT		
4	00111000071	SELF BLO. NUT M8		
5	00111000132	WASHER P. 8,4X32X2,5 ZNT		
6	95124210000	SUPPORT PLATE		
7	00111970104	VIBRATION-DUMPING ENGINE		
8	00111300041	SCREW UNI 5739		
9	00777800052	WEIGHT PLATE mm.210		
10	95304100000	RIGHT DAIHATSU ENGINE SUPPORT		
11	00111000061	WASHER 8.4X24X2		
12	00111990114	MUFFLER COLLECTOR GASKET		
13	95304000007	RADIATOR OUT HOSE		
14	95304000006	RADIATOR INTAKE HOSE		
15	95315000001	MUFFLER COLLECTOR		
16	95049171000	DIESEL ACCELERATOR LEVER COMPL.		
17	00111990034	ROUND KNOB M8		
18	95124160000	MUFFLER FIXING PLATE		
19	95124000008	MUFFLER SUPPORT BRACKET		
20	00111810025	EXHAUST CLAMP D=42		
21	95304000012	RADIATOR PROTECTION CAP		
22	95124000017	WATER RECOVERY TANK PIPE		
23	95303000056	RADIATOR CONVEYOR		
24	95315130000	RADIATOR CLEANING GRID		
25	95315000003	DAIHATSU RADIATOR		
26	95315000004	WATER HOSE SUPPORT		
27	00111970119	VIBRATION-DAMPING STOPPER M8 H=20		
28	95304000010	DIESEL RECOVERY PIPE		
29	00777650061	DAIHATSU DIESEL FILTER		
30	95599000043	DAIHATSU EXHAUST		
31	00111970185	CABLE HOLDER Øe20/22 - Øi15		
32	00111300011	SCREW TE M6X20		
33	00777700026	DAIHATSU 950D ENGINE		
34	00111810015	CLAMP		
35	95303000023	RADIATOR SX SUPPORT		
36	95303000022	RADIATOR DX SUPPORT		
37	95315000002	ENGINE ASPIRATION SLEEVE		
38	00111550003	ELASTIC WASHER M12		
39	00111810010	CLAMP 10-16 TYPE NORMA		
40	95304000004	DAIHATSU EXHAUST END		
41	00111250018	NUT "CONEKLOK" M8		
42	00111400022	ALLEN SCREW		
43	00111810033	CLAMP INOX 25-40		
44	95304000011	DIESEL FILTER/ENGINE TUBE		
45	00777800123	WATER TEMPERATURE SENSOR		
46	00777650062	DAIHATSU ENGINE OIL FILTER		
47	00111450001	SCREW WASHER M8X25		
48	95598530000	QUAD POWER III XPA932 BELTS KIT		
49	00111000037	WASHER 6.6X18X2		
50	95304000009	DIESEL TANK/FILTER TUBE		
51	PZ95514111301	PROTECTION CROWN SUPPORT		
52	00111000014	SCREW TSPEI M6X16		
53	00111970050	ENGINE VIBRATIONS-DUMPING BLOCK		
54	95124220001	SPACER D=25X8 L=27		
55	00111000031	SCREW TE M8X65		
56	00111000179	GROWER WASHER M8		
57	95599000042	RADIATOR CAP		
58	00111000059	FAKE SCREW/WASH. M8X14		
59	00111980033	DAIHATSU ALTERNATOR BELT		

#	P/N	DESCRIPTION	PG-SR
60	95304000002	COMPLETE STARTER CABLE DAIHATSU	
61	00111000166	SELF BL. SCREW M6	
62	PZ95060000003	DIESEL ACCEL.SUPPORT	
63	00111810008	CLAMP 12-20 TYPE NORMA	
64	00111810012	CLAMP 40-60 TYPE NORMA	
65	00111500009	WASHER 6.4X12.5X1.6	
66	00111970194	FAN Ø310 DAIHATSU	

PG-SR



#	P/N	DESCRIPTION	PG-SR
1	00777650013	PETROL FILTER 16-18 HP	
2	00777750001	SPARK PLUG 491055	
3	00777650001	OIL FILTER 9/18 HP	
4	00111990009	EXHAUST GASKET	
5	00111000093	SCREW TE M8X20	
6	00111990008	PIN KEY 1/4X1/4X38	
7	95332000001	ENGINE PULLEY	
8	00111960002	GRUB M8X16	
9	00777700031	22 HP B&S HORIZONTAL ENGINE	
10	00111450003	SCREW WASHER M8X20	
11	00111300020	SCREW TE M8X70	
12	00111000071	SELF BLO. NUT M8	
13	95332000003	PG ENGINE SUPPORT	
14	95332000005	B&S EXHAUST COLLECTOR	
15	00111990077	KUBOTA EXHAUST KIT	
16	95103000007	KOHLER AIR FILTER	
17	95180110000	DISCHARGE AIR CONVEYOR	
18	00111300015	SCREW TE M8X55	
19	00111000087	WASHER P.8,4X15.6X1,5	
20	00111300052	SCREW TE UNI 5739	
21	00111300064	SCREW M8X25	
21	00777800175		
22	95104000010	EXHAUST END	
23	95210110000	EXHAUST AIR PIPE	
24	00111450005	SCREW/W M6X16	
25	00111810028	COLLECTOR EXHAUST CLAMP D33	
26	95104170000	FLEXIBLE COLLECTOR	
27	00111990086	KUBOTA MAINFOLD EXHAUST GASKET	
28	00111450010	SCREW/W M6X10	
29	PZ95070110000	ACCELERATOR SUPPORT	
30	00111000192	ACCELERATOR LEVER	
31	95179000001	KOHLER ACCELERATOR CABLE	
32	00111810025	EXHAUST CLAMP D=42	
33	95124000008	MUFFLER SUPPORT BRACKET	
34	00111250018	NUT "CONEKLOK" M8	
35	95124160000	MUFFLER FIXING PLATE	
36	00111000037	WASHER 6.6X18X2	
37	00111000094	SCREW TE M8X40	
38	00111000184	SCREW TE M5X10	
39	00777700021	18 HP PRESSURE SWITCH	
41	00777800165	TG TECH EARTH CABLE	
42	95598530000	QUAD POWER III XPA932 BELTS KIT	
43	95599410000	KIT THROTTLE LEVER	
44	94500780001	PETROL HOSE L=600	
45	95210000011	FUEL RETURN CAP	
46	00111810012	CLAMP 40-60 TYPE NORMA	
47	00111810010	CLAMP 10-16 TYPE NORMA	
48	95103170000	KOHLER TANK BUMPER	
51	95332000004	ENGINE BUMPER	
52	95332000006	ENGINE REAR GRID	
53	00111400039	ALLEN SCREW M8X40	
53	00111810034	CLAMP INOX 32X50	
54	95180000001	B & S STARTER CABLE	



S/N
→1009023

REF.40 - 00555501064

#

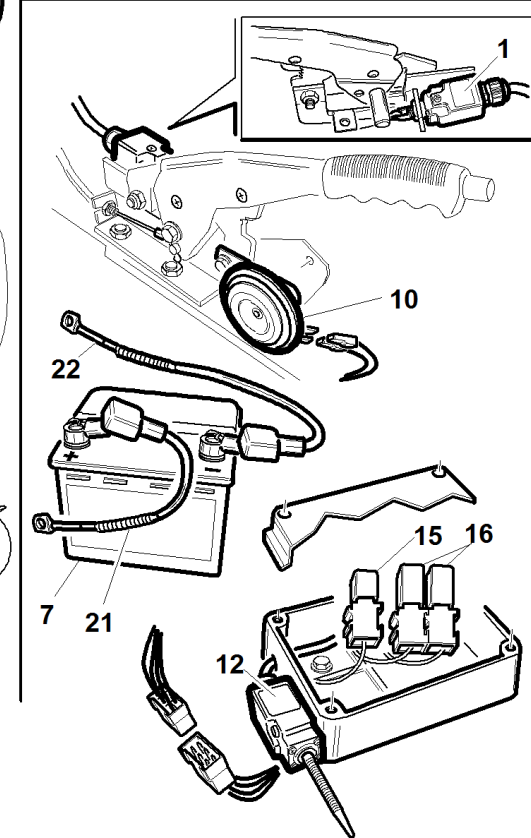
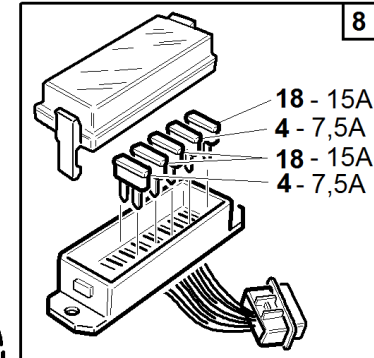
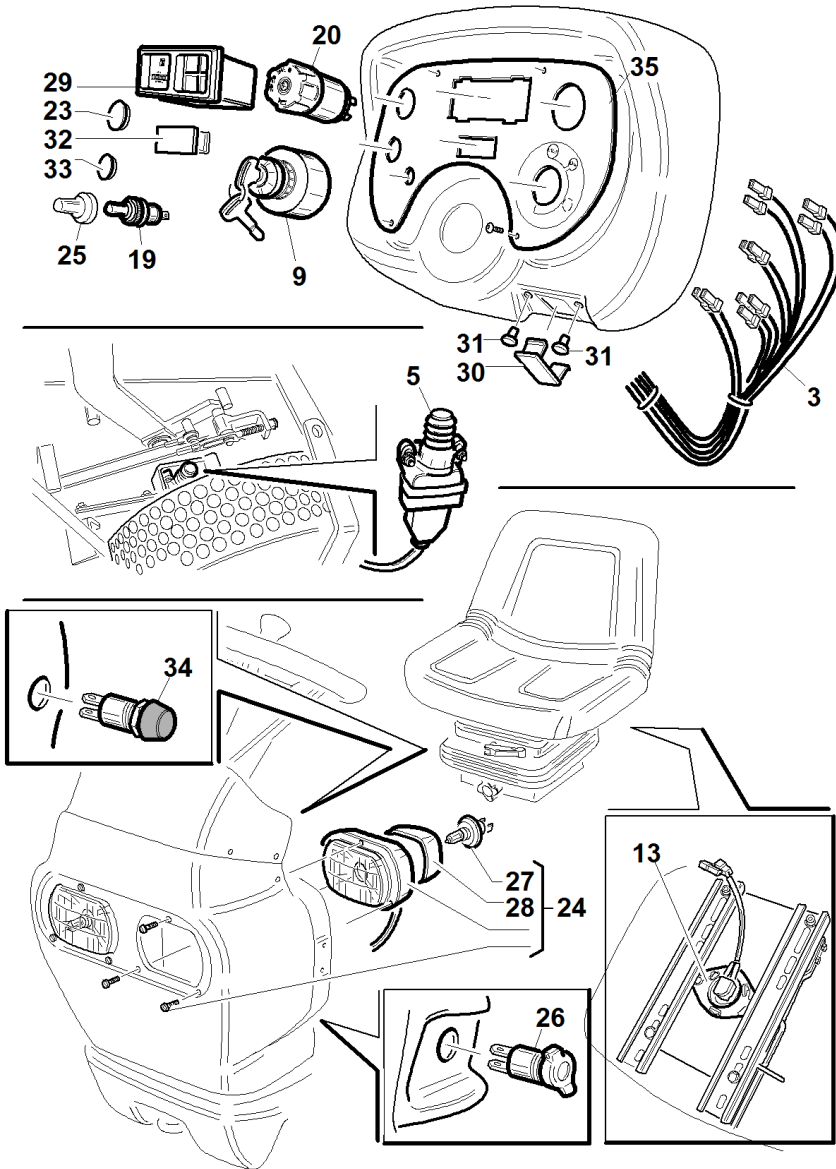
P/N

DESCRIPTION

PG 220

REF. 40 - 00555501064

1	95042510000	PARK BRAKE WIRED SWITCH
2	95210160000	OPEN HOPPER DIESEL MICRO
3	95210131000	PG GASOLINE CENTRAL HERNESS
4	00777800078	BLADE FUSE 7,5 AMP
5	00777800023	PUSH BUTTON 15117000
6	95042520000	HOPPER WIRED MICRO
7	95599000036	BATTERY 12V 43A
8	95210140000	FUSE WIRE HARNESS/STARTSWITCH
9	00777800222	START SWITCH
10	00777800022	HORN 12V
11	00777800167	FULL HOPPER WIRED MICRO CAP
12	95210150000	OPEN ENGINE SPACE WIRED SWITCH
13	00777800174	PG SEAT SWITCH
14	00777800168	CLOSED HOPPER WIRED MICRO CAP
15	00777800035	RELAY 12V 20/30 A
16	00777800059	MICRO RELAYS 12V
18	00777800080	BLADE FUSE 15A
19	00777800108	SWITCH
20	00777800143	LIGHT SWITCH AND HORN BUTTON
21	00777800169	PG GASOLINE BATTERY POSIT.CABLE
22	00777800170	PG GASOLINE EARTH CABLE
23	00111970157	BLACK PLUG
24	00777802400	ASYMMETRIC PROJECTOR
25	00777800109	SWITCH CAP
26	00777800107	BIPOLAR TAP
27	00777800152	BULB 12V 45/40W
28	00777800156	RUBBER GUARD
29	00777800157	HOUR COUNTER + PILOT LIGHTS PANEL
30	00111970159	PLUG
31	00111970095	KNOB -81205-
32	00111970162	PILOT LIGHT COVER
33	00111970158	BLACK PLUG
34	00777800106	FASTON PUSH BUTTON
35	95210000001	PG180/200 INSTRUMENT PLATE
36	00777800124	COMPLETE CABLE FOR COLLECTOR
37	00111970042	FEMALE KNOB THB20M4
38	92001290005	WIRED BATTERY PLUG
39	95338130003	WIRED EMERGENCY BATTERY PLUG
40	95301000040	BATTERY SUPPORT BRACKET
41	95332120001	
42	00777800198	BATTERY SWITCH
43	00777800203	BATTERY DISCONNECTION KEY



S/N

→ 0603001 ÷ 1009022 ←

REF.40 - 00555501063

#

P/N

DESCRIPTION

PG 220

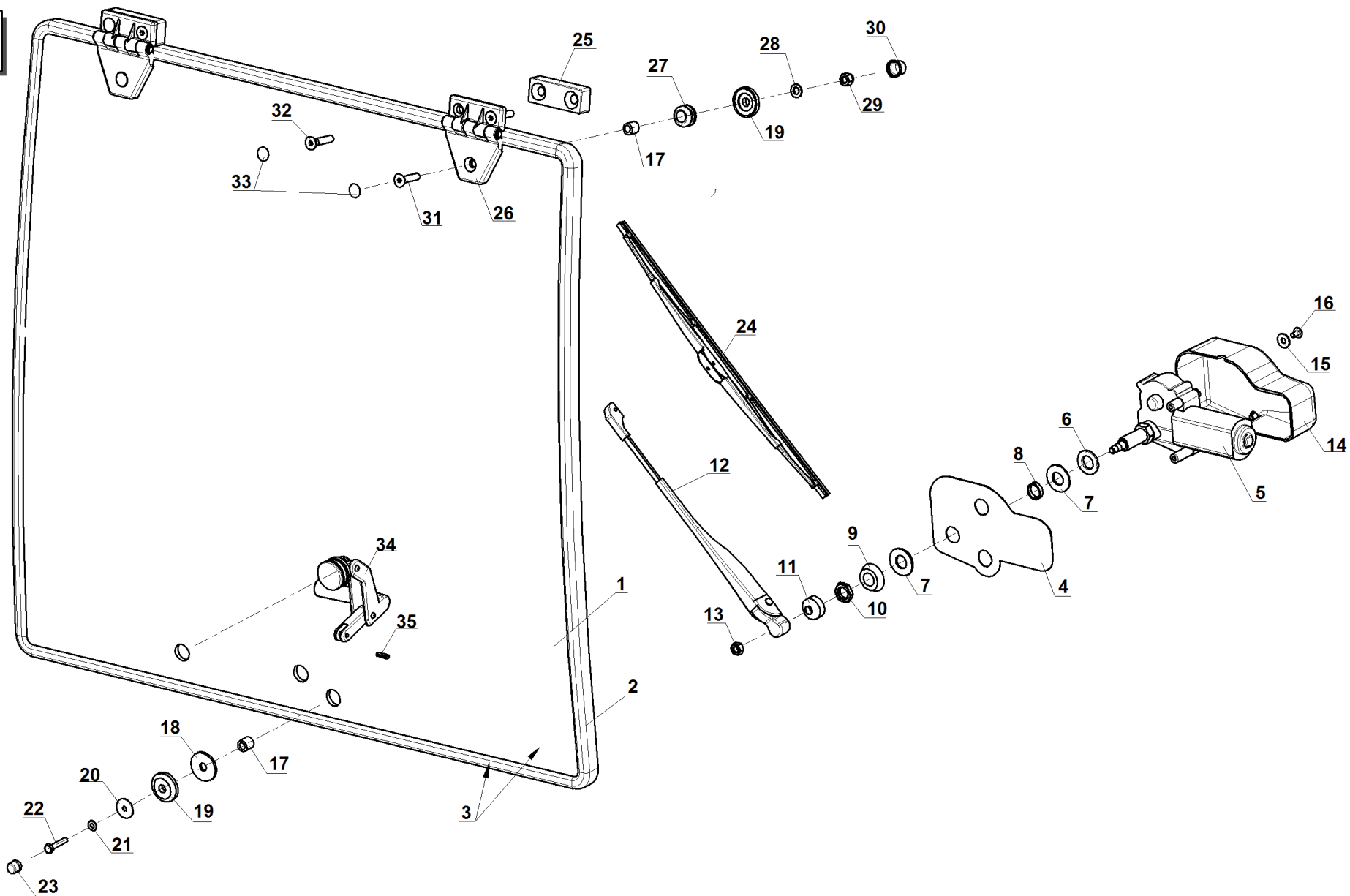
REF. 40 - 00555501063

1	95042510000	PARK BRAKE WIRED SWITCH
2	95210160000	OPEN HOPPER DIESEL MICRO
3	95210131000	PG GASOLINE CENTRAL HERNESS
4	00777800078	BLADE FUSE 7,5 AMP
5	00777800023	PUSH BUTTON 15117000
6	95042520000	HOPPER WIRED MICRO
7	95599000036	BATTERY 12V 43A
8	95210140000	FUSE WIRE HARNESS/STARTSWITCH
9	00777800222	START SWITCH
10	00777800022	HORN 12V
11	00777800167	FULL HOPPER WIRED MICRO CAP
12	95210150000	OPEN ENGINE SPACE WIRED SWITCH
13	00777800174	PG SEAT SWITCH
14	00777800168	CLOSED HOPPER WIRED MICRO CAP
15	00777800035	RELAY 12V 20/30 A
16	00777800059	MICRO RELAYS 12V
18	00777800080	BLADE FUSE 15A
19	00777800108	SWITCH
20	00777800143	LIGHT SWITCH AND HORN BUTTON
21	00777800169	PG GASOLINE BATTERY POSIT.CABLE
22	00777800170	PG GASOLINE EARTH CABLE
23	00111970157	BLACK PLUG
24	00777802400	ASYMMETRIC PROJECTOR
25	00777800109	SWITCH CAP
26	00777800107	BIPOLAR TAP
27	00777800152	BULB 12V 45/40W
28	00777800156	RUBBER GUARD
29	00777800157	HOUR COUNTER + PILOT LIGHTS PANEL
30	00111970159	PLUG
31	00111970095	KNOB -81205-
32	00111970162	PILOT LIGHT COVER
33	00111970158	BLACK PLUG
34	00777800106	FASTON PUSH BUTTON
35	95210000001	PG180/200 INSTRUMENT PLATE
36	00777800124	COMPLETE CABLE FOR COLLECTOR
37	00111970042	FEMALE KNOB THB20M4

#	P/N	DESCRIPTION	PG/SR-W	REF. 41 - 00555501045
1	95187100008	FRAME		
2	95187100009			
3	95187100010			
4	95187100011			
5	95187100012			
6	95187100106			
7	95187100014			
8	95187100015			
9	95187100016			
10	95187100017			
11	95187100018			
12	95187100019	SUPPORTO ANTERIORE		
13	00111300043	SCREW TE UNI 5737 M10x45 8.8		
14	00111500032	ROSETTA P. 10,5X25X2 DIN7349 ZNT		
15	00111250023	SELF BL. NUT M10		
16	95187100021	CYLINDER VIBRATION		
17	00111300094	SCREW		
18	00111000105	WASHER P.13X24X2,5		
19	00111250008	SELF BL. NUT M12		
20	95187100023	RAPID ATTACHMENT		
21	95187100024	MALE RAPID ATTACHMENT		
22	95187100025	RACCORDO TUBO RISCALDAMENTO		
23	00111810008	CLAMP 12-20 TYPE NORMA		
24	95187100026			
25	95187100027			
26	95187100028			
27	00111500031	WASHER P. 14X36X3		
28	95187100030			
29	95187100031	DOOR SPACER		
30	00111550009	ELASTIC WASHER M8		
31	00111250014	SELF BL. NUT M8		
32	95187100033	PLASTIC CAP M8		
33	95187100034			
34	95187100035			
35	95187100036			
36	95187100037			
37	95187100038			
38	95187100039			
39	95187100040			
40	95187100041			
41	00111300096			
42	00111500009	WASHER 6.4X12.5X1.6		
43	00111000166	SELF BL. SCREW M6		
44	95187100042			
45	95187100020			
46	95187100004	LEFT CABINREARVIEW MIRROR ROAD		
47	95187100003	RIGHT CABIN REARVIEW MIRROR ROAD		
48	95187100005	CABIN REAEVIEW MIRROR CUP		
49	00111350006			
50	00777803200	CABIN LEFT FRONT LIGHT		
51	00777803000	CABIN RIGHT FRONT LIGHT		
52	00777802900	ASYMMETRIC CABIN PROJECTOR		
53	00777800207	LEFT DIRECTION LIGHT GLASS		
54	00777800208	RIGHT DIRECTION LIGHT GLASS		
55	00777800224			
56	00777800215			
57	00777800206	LAMP 12V 60/55W		
58	95187100043			
59	95187100044			

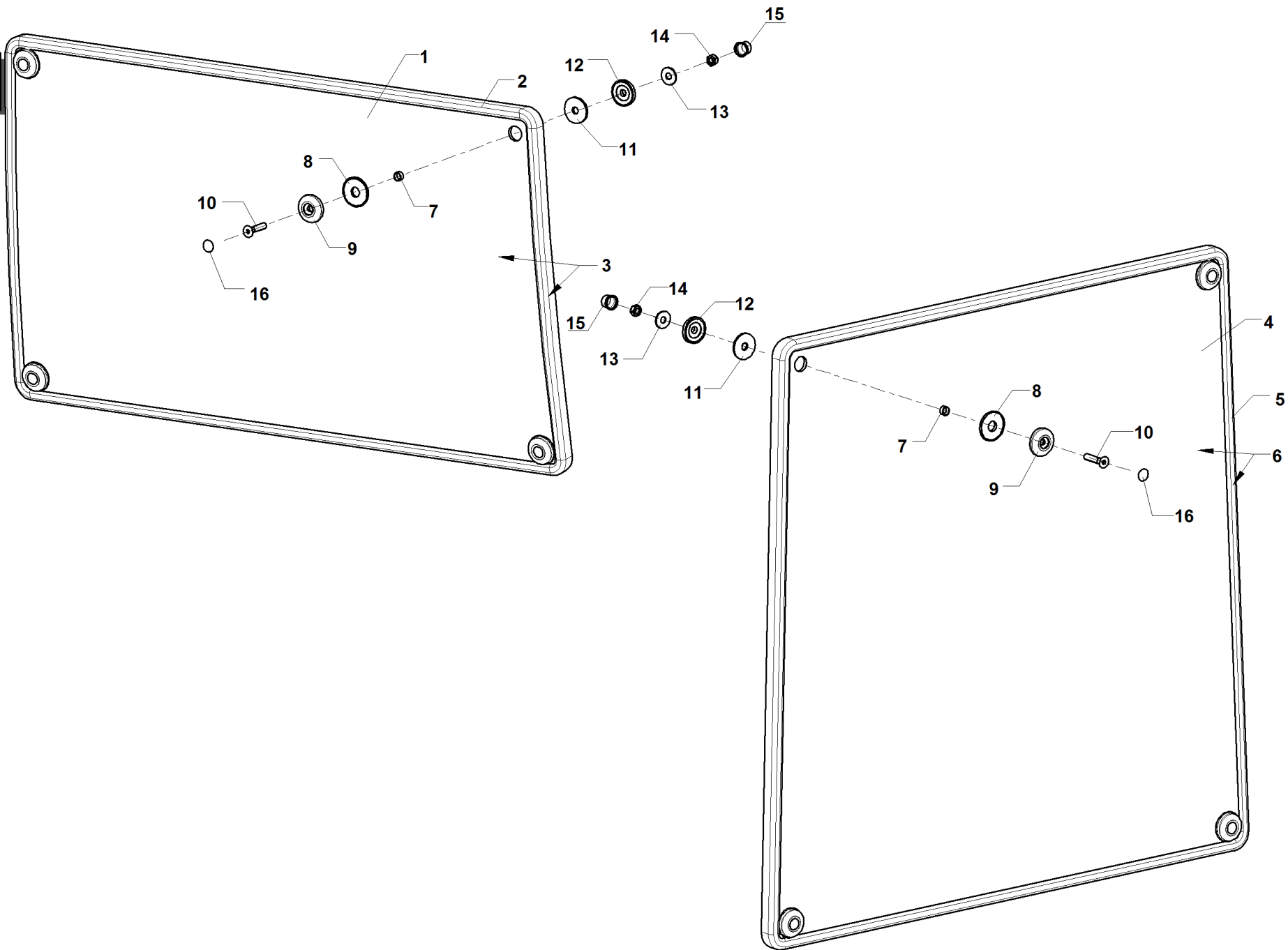
#	P/N	DESCRIPTION	PG/SR-W
60	00777800209	CABIN WORK LAMP	
61	00111300044	SCREW TE UNI 5739	
62	95187100045	SUPORTO POST. SOPRA SX	
63	95187100046	SUPORTO POST. SOPRA DX	
64	95187100148	PERNO SICUREZZA PER SUPPORTO	
65	00111000171		
66	95187100047		
67	95187100048		
68	00111000080	SELF BLO. SCREW M10	
69	95187100049		
70	00111300064	SCREW M8X25	
71	00111500006	WASHER D.8 NYLON	
72	95187100050		
73	95187100051	SILENTBLOC CPL.	
74	00111300009	SCREW TE M12X30	
75	95187100052	SUPPORT	
76	95187100053	SUPPORT	
77	00111300085	SCREW	
78	00111300068	SCREW	
79	95187100055	PIN	
80	95187100054	ROOF PANEL	
81	95187100032		
82	00111350020	SCREW TBEI M10X20	
83	95187100063	RUBBER WASHER 36X10X3	
84	00111500003	WASHER 12X36X3	
85	95187100022		
86	95187000002	WIRED CABIN CLOSED MICRO	

PG/SR



#	P/N	DESCRIPTION	PG/SR
1	95187100079	FRONT WINDOW SLH22	
2	95187100142		
3	95187100146		
4	95187100144		
5	95187100145		
6	00111500002	WASHER 16,5X48X3	
7	95187100056		
8	95187100057		
9	95187100058		
10	00111500021	WASHER 20X28X1,5	
11	95187100059		
12	95187100060	WIPER ARM CONICAL C10XM8	
13	00111000082	NUT M8	
14	95187100061		
15	95187100147		
16	00111450010	SCREW/W M6X10	
17	95187100062		
18	95187100063	RUBBER WASHER 36X10X3	
19	95187100064	PLASTIC WASHER	
20	00111500033		
21	00111500009	WASHER 6.4X12.5X1.6	
22	00111300039	SCREW TE M6X30	
23	95187100042		
24	95187100065	WIPER BLADE 410MM	
25	95187100066		
26	95187100067		
27	95187100068		
28	00111000087	WASHER P.8,4X15.6X1,5	
29	00111550009	ELASTIC WASHER M8	
30	95187100033	PLASTIC CAP M8	
31	00111350038	SCREW	
32	00111000111	SCREW TSPEI M8X40	
33	95187100069	BLACK PLASTIC CAP FOR SCREW	
34	95187100070		
35	00111000146	PIN ELASTIC D.5X16	

PG/SR-W



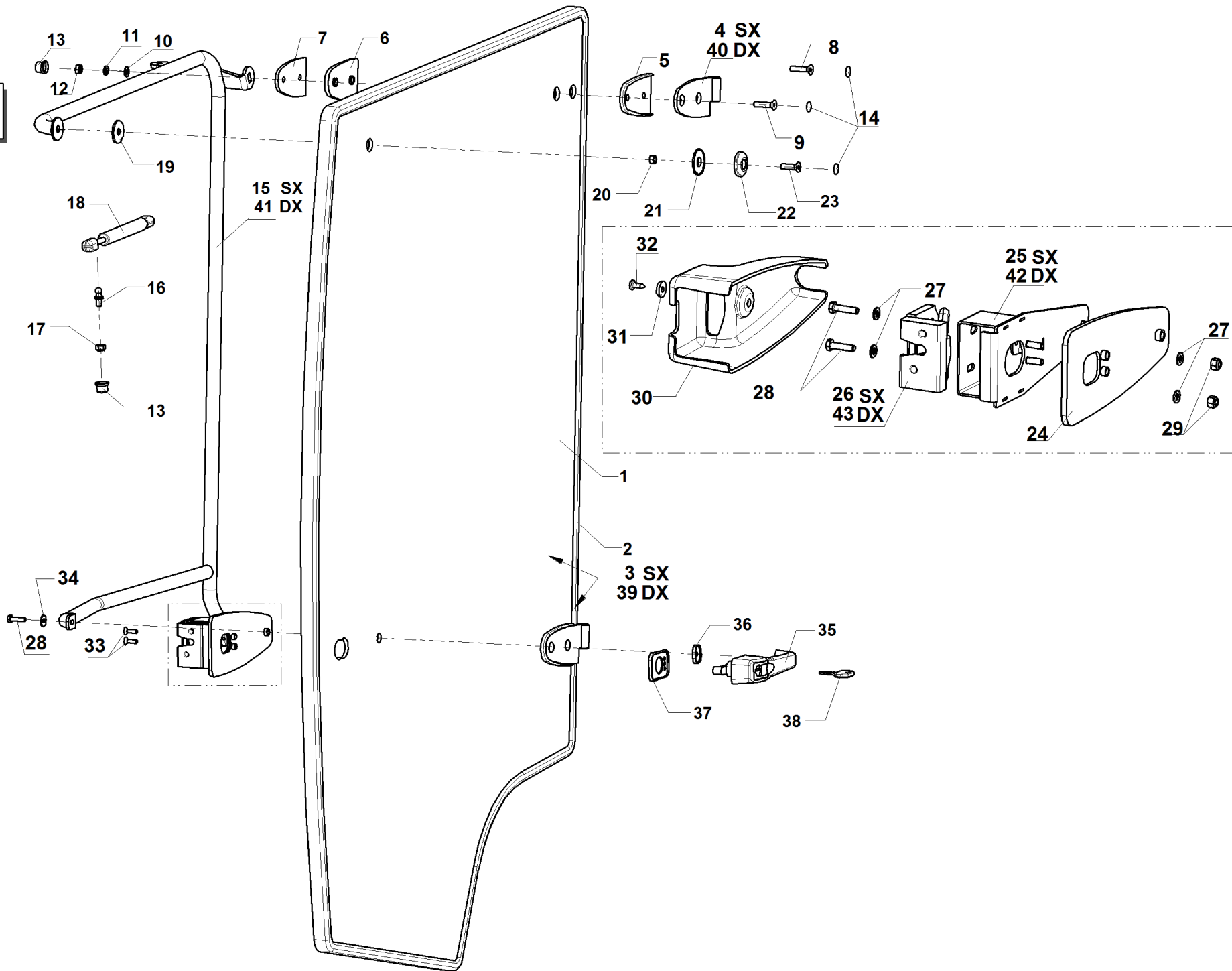
#

P/N

DESCRIPTION

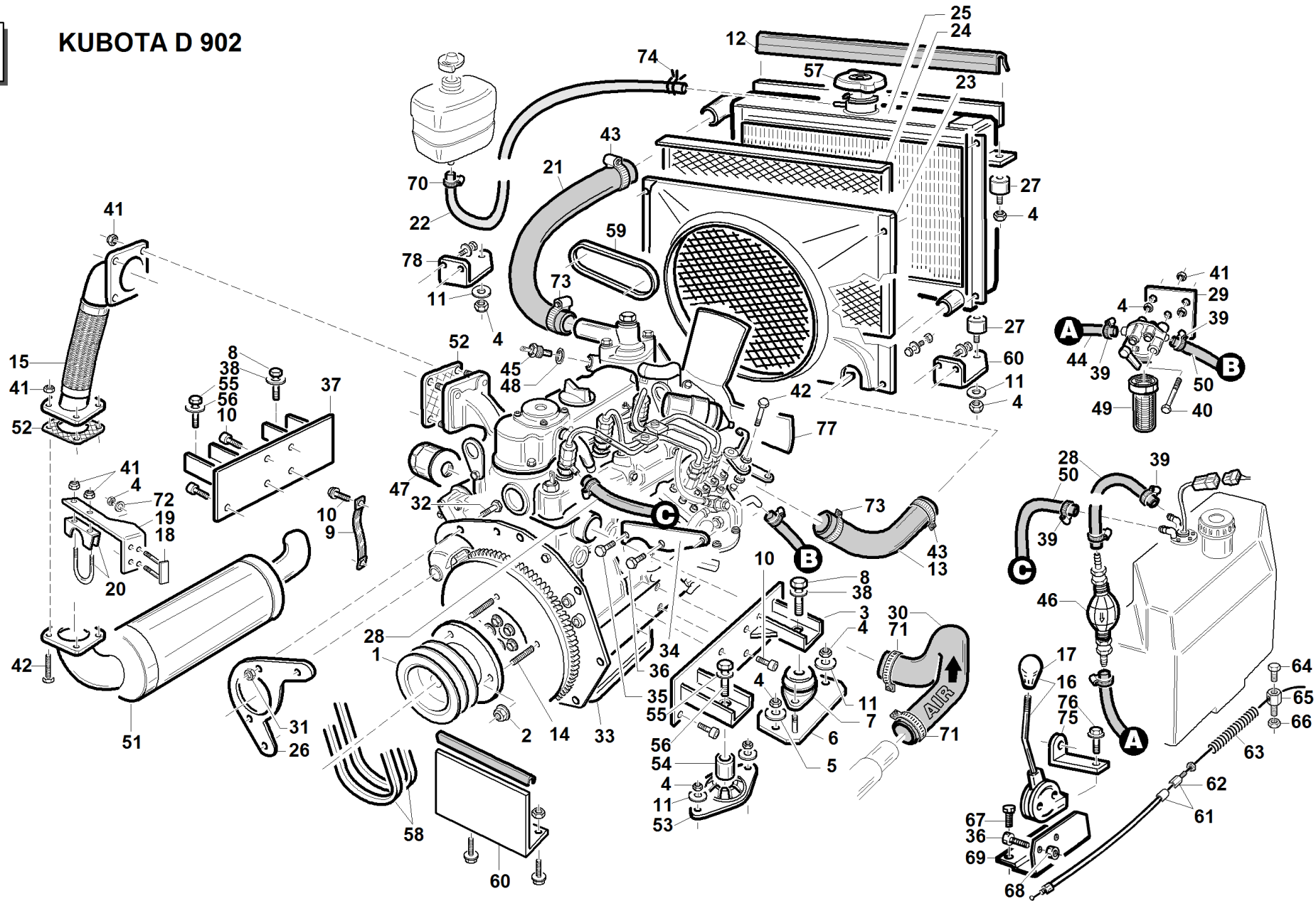
PG/SR-W

#	P/N	DESCRIPTION	PG/SR-W
1	95187100071	LOW FRONT GLASS	
2	95187100072		
3	95187100073		
4	95187100074	REAR GLASS	
5	95187100075	GLASS GASKET I=3,5MT	
6	95187100076	REAR GLASS WITH GASKET	
7	95187100077	NYLON SEAL WASHER	
8	95187100078	RUBBER WASHER	
9	95187100143	STUD	
10	00111000111	SCREW TSPEI M8X40	
11	95187100063	RUBBER WASHER 36X10X3	
12	95187100064	PLASTIC WASHER	
13	00111000132	WASHER P. 8,4X32X2,5 ZNT	
14	00111550009	ELASTIC WASHER M8	
15	95187100033	PLASTIC CAP M8	
16	95187100069	BLACK PLASTIC CAP FOR SCREW	



1	95187100149	DOOR GLASS		
2	95187100080	GLASS GASKET L=4,50 M		
3	95187100006	LEFT DOOR GLASS WITH GASKET		
4	95187100082	DOOR HINGE LEFT CPL. T4		
5	95187100084	HING RUBBER BOTTOM		
6	95187100085			
7	95187100086			
8	00111350038	SCREW		
9	00111000111	SCREW TSPEI M8X40		
10	00111000087	WASHER P.8,4X15.6X1,5		
11	00111000179	GROWER WASHER M8		
12	00111000082	NUT M8		
13	95187100033	PLASTIC CAP M8		
14	95187100069	BLACK PLASTIC CAP FOR SCREW		
15	95187100087			
16	95187100089			
17	00111000095	SELF BLO. NUT M8		
18	95187100007	GAS SPRING 250N W/PLASTIC HEAD		
19	95187100063	RUBBER WASHER 36X10X3		
20	95187100077	NYLON SEAL WASHER		
21	95187100078	RUBBER WASHER		
22	95187100064	PLASTIC WASHER		
23	00111350022	SCREW TSPEI M8X30 ZNT		
24	95187100090			
25	95187100091			
26	95187100093			
27	00111500009	WASHER 6.4X12.5X1.6		
28	00111000137	SCREW TE M6X25		
29	00111000166	SELF BL. SCREW M6		
30	95187100095			
31	95187100096			
32	95187100097			
33	00111350006			
34	00111000037	WASHER 6.6X18X2		
35	95187100098			
36	95187100099	GASKET		
37	95187100100	GASKET		
38	95187100101	LOCK KEY		
39	95187100081	RIGHT DOOR GLASS WITH GASKET		
40	95187100083			
41	95187100088			
42	95187100092			
43	95187100094			

#	P/N	DESCRIPTION	PG/SR-W	REF. 45 - 00555501049
1	95187100102			
2	95187100103			
3	95187100104			
4	95187100105			
5	95187100106			
6	95187100107			
7	95187100108			
8	00111000171			
9	00111500009	WASHER 6.4X12.5X1.6		
10	00111000166	SELF BL. SCREW M6		
11	95187100109			
12	95187100110			
13	95187100111			
14	95187100112			
15	95187100113			
16	95187100114			
17	95187100115			
18	95187100116			
19	95187100117			
20	00777800079	BLADE FUSE 10A		
21	95187100118	RADIO COVER HOLE		
22	95187100119			
23	95187100120			
24	95187100121			
25	95187100122			
26	95187100123			
27	95187100124			
28	95187100125			
29	95187100126			
30	95187100127			
31	95187100128			
32	95187100129			
33	95187100130			
34	00111810008	CLAMP 12-20 TYPE NORMA		
35	95187100131	WATER SPACE HEATERS PIPE L=2650MM		
36	95187100132			
37	95187100133			
38	95187100134			
39	95187100135			
40	95187100136			
43	95187100139			
44	95187100140			
45	95187100141			
46	95187100029			
47	00777800080	BLADE FUSE 15A		
48	00777800126	BLADE FUSE 20A		



#	P/N	DESCRIPTION	PG-SR	REF. 46 - 00555501052
1	95338000001	KUBOTA ENGINE PULLEY		
2	00111250025	NUT METB 8MA		
3	95338100000	LEFT ENGINE SUPPORT		
4	00111000071	SELF BLO. NUT M8		
5	00111000132	WASHER P. 8,4X32X2,5 ZNT		
6	95124210000	SUPPORT PLATE		
7	00111970104	VIBRATION-DUMPING ENGINE		
8	00111300041	SCREW UNI 5739		
9	00777800052	WEIGHT PLATE mm.210		
10	00111400031	SCREW TCEI		
11	00111000061	WASHER 8.4X24X2		
12	95338000009			
13	95338000006	RADIATOR OUT HOSE		
14	00111320001	STUD BOLT M8X16		
15	95338000004	EXHAUST COLLECTOR		
16	95049171000	DIESEL ACCELERATOR LEVER COMPL.		
17	00111990034	ROUND KNOB M8		
18	95124160000	MUFFLER FIXING PLATE		
19	95124000008	MUFFLER SUPPORT BRACKET		
20	00111810025	EXHAUST CLAMP D=42		
21	95338000005	RADIATOR HOSE		
22	95124000017	WATER RECOVERY TANK PIPE		
23	95338000002	CONVEYOR		
24	95338200000	RADIATOR GRID		
25	95338000003	PG 210 RADIATOR		
26	95309000005	KUBOTA RENFORCEMENT PLATE		
27	00111970127	STOPPER M8 D30X20		
28	95338120003			
29	95124000018	DIESEL FILTER SUPPORT		
30	95309000006	AIR FILTER HOSE KUBOTA		
31	00111250014	SELF BL. NUT M8		
32	00111300060	SCREW		
33	00777700034	KUBOTA ENGINE D902 22 HP		
34	95124000009	ACCELERATOR CABLE BRACKET		
35	00111000034	SCREW TE M6X10		
36	00111000059	FAKE SCREW/WASH. M8X14		
37	95338110000	RIGHT ENGINE SUPPORT		
38	00111550003	ELASTIC WASHER M12		
39	00111810010	CLAMP 10-16 TYPE NORMA		
40	00111300025	SCREW TE M6X50		
41	00111250018	NUT "CONEKLOK" M8		
42	00111000094	SCREW TE M8X40		
43	00111810033	CLAMP INOX 25-40		
44	95338120002			
45	00777800123	WATER TEMPERATURE SENSOR		
46	00777710007	MANUAL PUMP		
47	00777650046	KUBOTA ENGINE OIL FILTER		
48	00777600003	WASHER COPPER 3/8		
49	00777650047	KUBOTA FUEL FILTER		
50	95201000008	DIESEL RECOVERY PIPE		
51	95338000008	EXHAUST		
52	00111990086	KUBOTA MAINFOLD EXHAUST GASKET		
53	00111970050	ENGINE VIBRATIONS-DUMPING BLOCK		
54	95124220001	SPACER D=25X8 L=27		
55	00111000031	SCREW TE M8X65		
56	00111000179	GROWER WASHER M8		
57	95049230001	RADIATORE CAP 1/BAR		
58	95598530000	QUAD POWER III XPA932 BELTS KIT		
59	00111980028	BELT KUBOTA		

#	P/N	DESCRIPTION	PG-SR
60	95309110000	ENGINE BUMPER	
61	95124190001	KUBOTA ACCELERATOR CABLE	
62	95124000015	ACCELERATOR CABLE REGISTER	
63	95124000016	ACCELERATOR RECOVERY SPRING	
64	00111000184	SCREW TE M5X10	
65	95124000014	LOCK ACCELERATOR CABLE	
66	00111000035	SELF BLOC. NUT M6	
67	00111000014	SCREW TSPEI M6X16	
68	00111000166	SELF BL. SCREW M6	
69	PZ95060000003	DIESEL ACCEL.SUPPORT	
70	00111300064	SCREW M8X25	
71	00111810034	CLAMP INOX 32X50	
72	00111000037	WASHER 6.6X18X2	
73	00111810013	CLAMP 20-32 TYPE NORMA	
74	00111810015	CLAMP	
75	PZ95514111301	PROTECTION CROWN SUPPORT	
76	00111450003	SCREW WASHER M8X20	
77	00111970219		
78	95303000022	RADIATOR DX SUPPORT	

www.gianniferrari.com

Advanced Groundcare Solutions™

**COMPANY WITH QUALITY
MANAGEMENT SYSTEM CERTIFIED BY DNV
= UNI EN ISO 9001:2008 =**



**Gianni
Ferrari**

GIANNI FERRARI S.r.l.

Via Vespucci ,53 (z.ind. Ranaro)
42046 Reggiolo (Reggio Emilia) Italy
Tel. +39.0522.973697 - Fax +39.0522.973707
e-mail: info@gianniferrari.com



OFFICINE BIEFFEBI S.p.A.

Via dell'Artigianato ,7
46023 Gonzaga (Mantova) Italy
Tel. +39.0376.52641 - Fax +39.0376.588270
e-mail: bieffebi@gianniferrari.com